



- Filter manufactured with fiber-glass and polyester resin.
- Filter color: RAL 6027
- Top lid made of plastic in Ø1050 to Ø1400. Top lid made of polyester in Ø1600 to Ø2500.
- Contains newly designed larger and more resistant ABS collector arms.
- Sand drain of Ø210 mm made of plastic
- 3 / 4" plastic water drain and air drain
- Maximum pressure: 2.5 bar or 4 bar
- Filter bed height: 1m or 1.2m
- Maximum temperature: 50°C

FILTER DETAILS



• Top lid made of plastic in Ø1050 to Ø1400 and made of polyester in Ø1600 to Ø2500.



• Newly designed larger and more resistant ABS collector arms



• Sand drain of Ø210 mm made of plastic



• 3 / 4 " water drain and sand drain

FILTER OPTIONS



• NOZZLE PLATE



• Ø225 or Ø400 mm lateral manhole



• Ø90 mm sightglass



• Ø135 mm sightglass

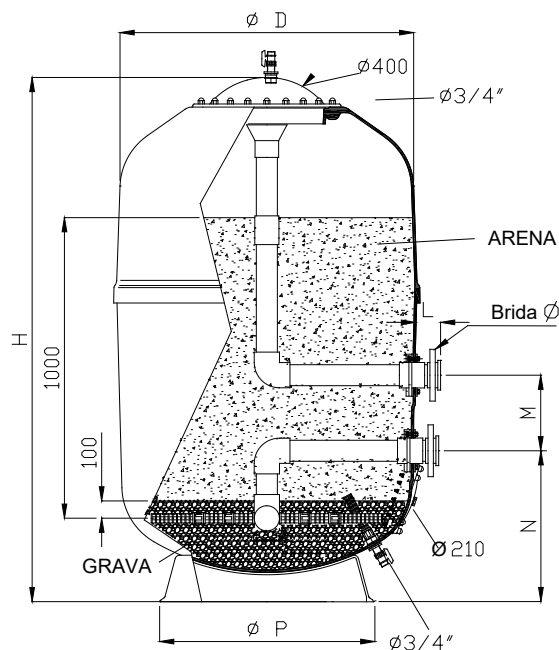


• 1" or 2" air relief valve

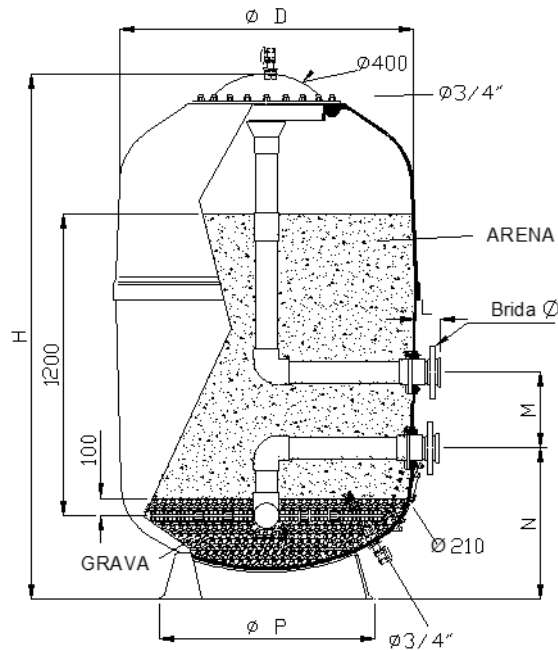


• Internal vinyl ester finish

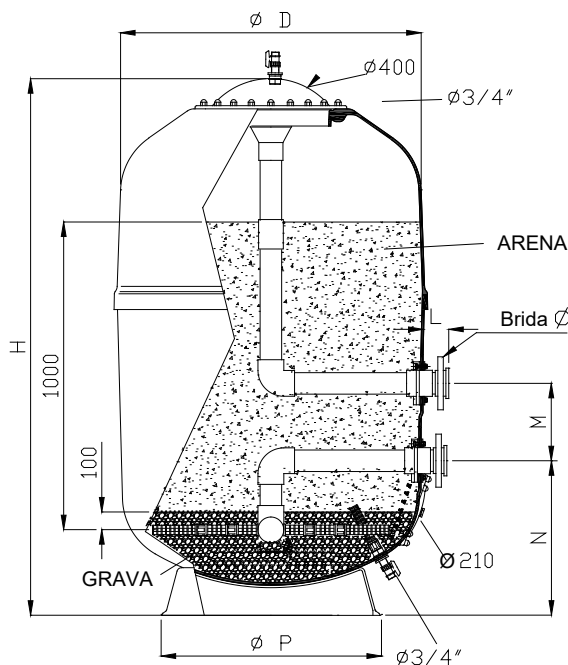
TECHNICAL DATA														PACKAGING		
Code	Model (mm)	Connections (mm/inch)		Filtering velocity (m ³ /h/m ²)	Filtration Area (m ²)	Flow (m ³ /h)	Maximum pressure (bar)	Sand (0.4-0.8mm) (kg)	Gravel (1-2mm)(kg)	Volume (l)	H (mm)	M (mm)	N (mm)	P (mm)	Box dimension (m)	Weight (kg)
		mm	inch													
20070	1050	63	2"	20	0.86	17	2.5	1050	285	1250	1860	270	540	760	1.24 x 1.24 x 2.05	125
20071		75	2 1/2"	30/40		25/34										
20072		90	3"	50		43										
20068	1200	75	2 1/2"	20/30	1.13	22/33	2.5	1160	325	1575	1860	350	570	850	1.40 x 1.40 x 2.05	145
20069		90	3"	40/50		45/56										
21497	1400	75	2 1/2"	20	1.54	30	2.5	1820	410	2185	2000	615	1085	1.60 x 1.60 x 2.14	210	
21498		90	3"	30		46										
21499		110	4"	40/50		61/77										
21500	1600	90	3"	20	2.01	40	2.5	2375	515	2965	2100	710	1230	1.80 x 1.80 x 2.22	275	
21501		110	4"	30/40		60/80										
21502		125	4 1/2"	50		100										
21503	1800	90	3"	20	2.54	50	2.5	3010	760	3850	2200	725	1370	2x 2 x 2.28	377	
21504		110	4"	30		76										
21505		125	4 1/2"	40		101										
21506		140	5"	50		125										
21507	2000	110	4"	20	3.14	62	2.5	3750	1060	4850	2200	805	1560	2.2x 2.2 x 2.38	435	
21508		125	4 1/2"	30		94										
21509		140	5"	40		125										
21510		160	6"	50		157										
33820	2350	125	4 1/2"	20	4.34	87	2.5	5000	2240	7230	2430	950	1830	2.48 x 2.48 x 2.6	630	
33822		140	5"	30		130										
33824		160	6"	40		174										
33826		200	7"	50		217										
34302	2500	140	5"	20	4.9	100	2.5	5600	2920	8500	2525	500	1015	2.56 x 2.56 x 2.7	860	
34303		160	6"	30		150										
34304		200	7"	40		200										
34305		225	8"	50		225										



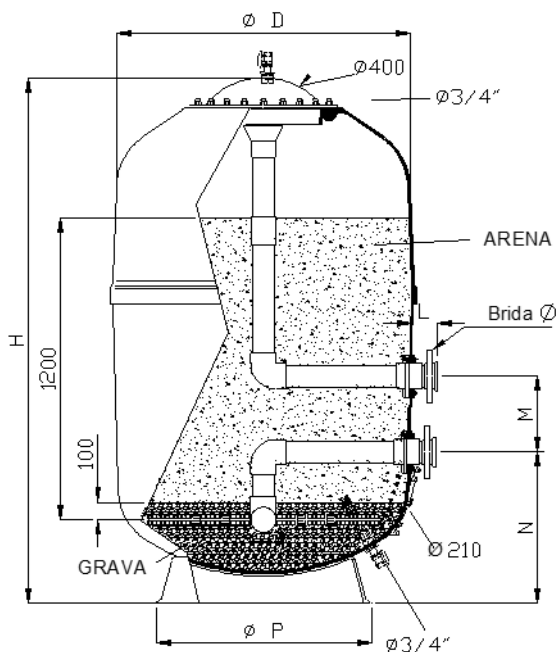
TECHNICAL DATA														PACKAGING		
Code	Model (mm)	Connections (mm/inch)		Filtering velocity (m ³ /h/m ²)	Filtration Area (m ²)	Flow (m ³ /h)	Maximum pressure (bar)	Sand (0.4-0.8mm) (kg)	Gravel (1-2mm)(kg)	Volume (l)	H (mm)	M (mm)	N (mm)	P (mm)	Box dimension (m)	Weight (kg)
		mm	inch													
31857	1050	63	2"	20	0.86	17	2.5	1285	285	1500	2060	270	540	760	1.24 x 1.24 x 2.2	135
31858		75	2 1/2"	30/40		25/34										
31859		90	3"	50		43										
31860	1200	75	2 1/2"	20/30	1.13	22/33	2.5	1360	325	1900	350	570	850	1.40 x 1.40 x 2.2	160	
31861		90	3"	40/50		45/56										
21511	1400	75	2 1/2"	20	1.54	30	2.5	2220	410	2650	2200	615	1085	1.60 x 1.60 x 2.32	195	
21512		90	3"	30		46										
21513		110	4"	40/50		61/77										
21514	1600	90	3"	20	2.01	40	2.5	2950	515	3560	2300	710	1230	1.80 x 1.80 x 2.5	295	
21515		110	4"	30/40		60/80										
21516		125	4 1/2"	50		100										
21517	1800	90	3"	20	2.54	50	2.5	3680	760	4620	2400	725	1370	2x 2 x 2.6	377	
21518		110	4"	30		76										
21519		125	4 1/2"	40		101										
21520		140	5"	50		125										
21521	2000	110	4"	20	3.14	62	2.5	4600	1060	5820	2400	805	1560	2.2x 2.2 x 2.6	450	
21522		125	4 1/2"	30		94										
21523		140	5"	40		125										
21524		160	6"	50		157										
33821	2350	125	4 1/2"	20	4.34	87	2.5	6130	2240	8060	2630	950	1830	2.48 x 2.48 x 2.8	660	
33823		140	5"	30		130										
33825		160	6"	40		174										
33827		200	7"	50		217										
34306	2500	140	5"	20	4.9	100	2.5	6680	2920	9385	2675	500	1015	2.56 x 2.56 x 2.85	860	
34307		160	6"	30		150										
34308		200	7"	40		200										
34309		225	8"	50		225										



TECHNICAL DATA														PACKAGING			
Code	Model (mm)	Connections (mm/inch)		Filtration velocity (m ³ /h/m ²)	Filtration Area (m ²)	Flow (m ³ /h)	Maximum pressure (bar)	Sand (0.4-0.8mm) (kg)	Gravel (1-2mm)(kg)	Volume (l)	H (mm)	M (mm)	N (mm)	P (mm)	Box dimension (m)	Weight (kg)	
		mm	inch														
34238	1050	63	2"	20	0.86	17	4	1050	285	1250	1860	270	540	760	1.24 x 1.24 x 2.05	145	
34239		75	2 1/2"														
34240		90	3"														
34241	1200	75	2 1/2"	20/30	1.13	22/33	4	1160	325	1575	1860	350	570	850	1.40 x 1.40 x 2.05	200	
34242		90	3"														40/50
34244	1400	75	2 1/2"	20	1.54	30	4	1820	410	2185	2000	400	615	1085	1.60 x 1.60 x 2.14	280	
34245		90	3"														30
34246		110	4"														40/50
34248	1600	90	3"	20	2.01	40	4	2375	515	2965	2100	400	710	1230	1.80 x 1.80 x 2.22	300	
34249		110	4"														30/40
34250		125	4 1/2"														50
34253	1800	90	3"	20	2.54	50	4	3010	760	3850	2200	400	725	1370	2x 2 x 2.28	425	
34254		110	4"														30
34255		125	4 1/2"														40
34256		140	5"														50
34258	2000	110	4"	20	3.14	62	4	3750	1060	4850	2200	400	805	1560	2.2x 2.2 x 2.38	450	
34259		125	4 1/2"														30
34260		140	5"														40
34261		160	6"														50
34262	2350	125	4 1/2"	20	4.34	87	4	5000	2240	7230	2430	400	950	1830	2.48 x 2.48 x 2.6	730	
34263		140	5"														30
34264		160	6"														40
34265		200	7"														50
34266	2500	140	5"	20	4.9	100	4	5600	2920	8500	2525	500	1015	1830	2.56 x 2.56 x 2.7	1060	
34267		160	6"														30
34268		200	7"														40
34269		225	8"														50



TECHNICAL DATA														PACKAGING		
Code	Model (mm)	Connections (mm/inch)		Filtering velocity (m ³ /h/m ²)	Filtration Area (m ²)	Flow (m ³ /h)	Maximum pressure (bar)	Sand (0.4-0.8mm) (kg)	Gravel (1-2mm)(kg)	Volume (l)	H (mm)	M (mm)	N (mm)	P (mm)	Box dimension (m)	Weight (kg)
		mm	inch													
34270	1050	63	2"	20	0.86	17	1285	285	1500	2060	270	540	760	1.24 x 1.24 x 2.2	135	
34271		75	2 ½"													
34272		90	3"													
34273	1200	75	2 ½"	20/30	1.13	22/33	1360	325	1900	350	570	850	1.40 x 1.40 x 2.2	160		
34274		90	3"												40/50	
34276	1400	75	2 ½"	20	1.54	30	2220	410	2650	2200	615	1085	1.60 x 1.60 x 2.32	195		
34277		90	3"												30	
34278		110	4"												40/50	
34280	1600	90	3"	20	2.01	40	2950	515	3560	2300	710	1230	1.80 x 1.80 x 2.5	295		
34281		110	4"												30/40	
34282		125	4 ½"												50	
34285	1800	90	3"	20	2.54	50	3680	760	4620	2400	725	1370	2x 2 x 2.6	377		
34286		110	4"												30	
34287		125	4 ½"												40	
34288		140	5"												50	
34290	2000	110	4"	20	3.14	62	4600	1060	5820	805	1560	2.2x 2.2 x 2.6	450			
34291		125	4 ½"											30		
34292		140	5"											40		
34293		160	6"											50		
34294	2350	125	4 ½"	20	4.34	87	6130	2240	8060	2630	950	2.48 x 2.48 x 2.8	660			
34295		140	5"											30		
34296		160	6"											40		
34297		200	7"											50		
34298	2500	140	5"	20	4.9	100	6680	2920	9385	2675	500	1015	2.56 x 2.56 x 2.85	860		
34299		160	6"												30	
34300		200	7"												40	
34301		225	8"												50	



MULTILAYER FILTER

- Filter bed with a layer of hydroanthracite above the layers of sand and gravel.

TECHNICAL DATA			
Model (mm)	Hydroanthracite (0.8-1.6mm) (kg)	Sand (0.4-0.8mm) (kg)	Gravel (1-2mm) (kg)
1050	367	643	285
1200	388	680	325
1400	634	1110	410
1600	842	1475	515
1800	1051	3680	760
2000	1314	4600	1060
2350	1751	6130	2240
2500	1909	6680	2920

