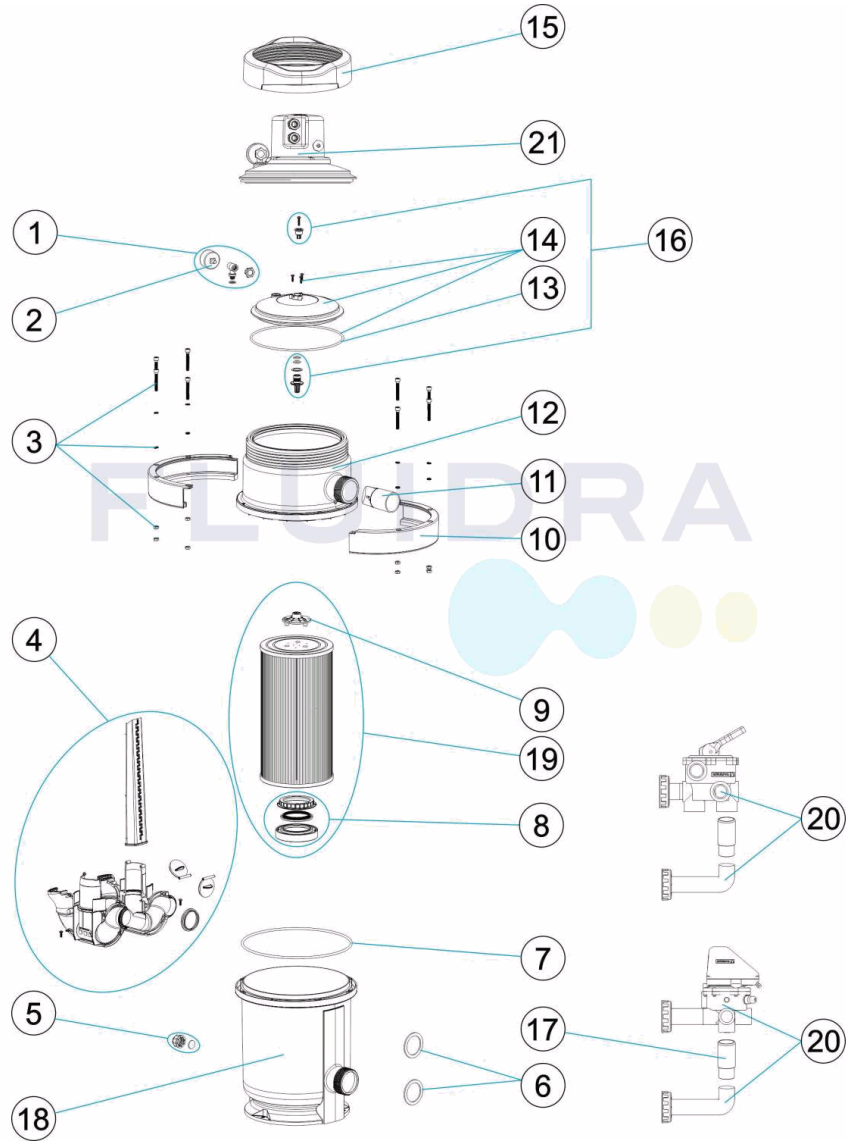


CODIGO **67355, 67356, 67357**

DESCRIPCION: **FILTRO NANOFIBER AUTO 150/180/200**



ESPAÑOL

POS	CODIGO	DESCRIPCION	POS	CODIGO	DESCRIPCION
1	4404080104	MANOMETRO COMPLETO	13	4404130002	JUNTA TAPA
2	4404010103	MANOMETRO 1/8" 3 KG./C "	14	4404130014	TAPA SUPERIOR + JUNTA
3	4404130005	TORNILLERIA FIJACION ANILLO	15	4404130007	TUERCA TAPA
4	4404130006	CJTO. DUCHA	16	4404130015	VOLANTE NANOFIBER
5	4404040012	VALVULA DE SEGURIDAD	17	4404130012	MANGUITO ADAPTADOR
6	4404180408	JUNTA PLANA 55X72X3,5	18	64837R0001	CUERPO INFERIOR
7	4404130008	JUNTA CUERPO	19	* 65383	CARTUCHO FILTRO 150
8	4404130010	CEPILLO	19	* 65384	CARTUCHO FILTRO 180
9	4404130009	EJE CARTUCHO	19	* 65385	CARTUCHO FILTRO 200
10	4404130011	ANILLO CENTRAL	20	* 07444	VALVULA SELECTORA CON ENLACES 2"
11	4404130013	ENTRADA AGUA	20	* 57187	VALVULA SELECTORA 1 1/2" & 2" AUTOMATIC "
12	4404130003	CUERPO SUPERIOR	21	67509	KIT NANOFIBER AUTO

CODIGO 67355, 67356, 67357

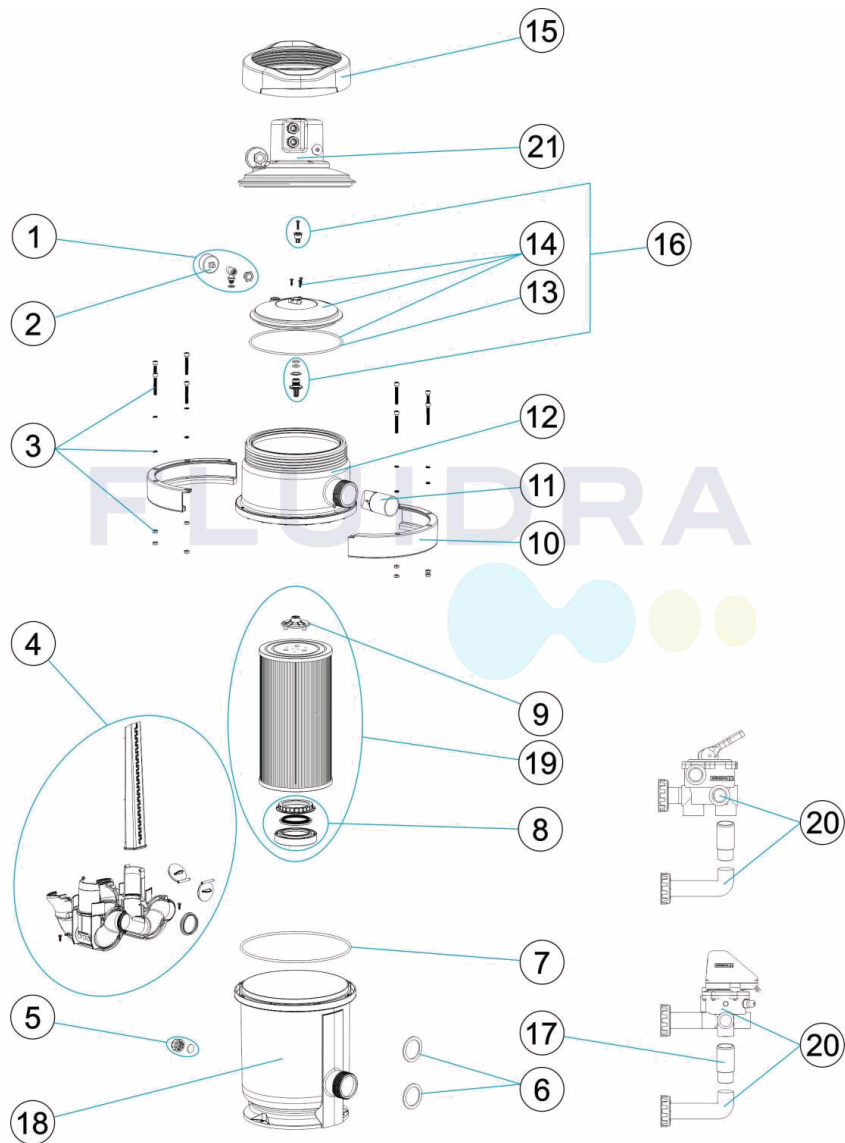
DESCRIPCION: FILTRO NANOFIBER AUTO 150/180/200

OBSERVACIONES

POS	CODIGO	OBSERVACIONES
19	65383	PARA: 67355
19	65384	PARA: 67356
19	65385	PARA: 67357
20	07444	PARA: VÁLVULA MANUAL / MANUAL VALVE
20	57187	PARA: VÁLVULA AUTOMÁTICA / AUTOMATIC VALVE

CODE **67355, 67356, 67357**

DESCRIPTION: **FILTRE NANOFIBER AUTO 150/180/200**



FRANCAIS

POS	CODE	DESCRIPTION	POS	CODE	DESCRIPTION
1	4404080104	MANOMETRE COMPLET	13	4404130002	JOINT DE COUVERCLE
2	4404010103	MANOMETRE 1/8" 3 KG./C "	14	4404130014	COUVERCLE SUPÉRIEUR + JOINT
3	4404130005	VIS DE FIXATION BAGUE	15	4404130007	ECROU DE COUVERCLE
4	4404130006	ENSEMBLE DOUCHE	16	4404130015	VOLANT NANOFIBER
5	4404040012	VANNE DE SÉCURITÉ	17	4404130012	MANCHON ADAPTATEUR
6	4404180408	JOINT PLAT 55X72X3,5	18	64837R0001	CORPS INFERIEUR
7	4404130008	JOINT CORPS	19	* 65383	CARTOUCHE DE FILTRE 150
8	4404130010	BROSSE	19	* 65384	CARTOUCHE DE FILTRE 180
9	4404130009	AXE CARTOUCHE	19	* 65385	CARTOUCHE DE FILTRE 200
10	4404130011	BAGUE CENTRAL	20	* 07444	SÉLECTEUR AVEC LIENS 2"
11	4404130013	ENTREE D'EAU	20	* 57187	SÉLECTEUR 1 1/2" & 2" AUTOMATIQUE "
12	4404130003	CORPS SUPERIEUR	21	67509	KIT NANOFIBER AUTO

CODE **67355, 67356, 67357**

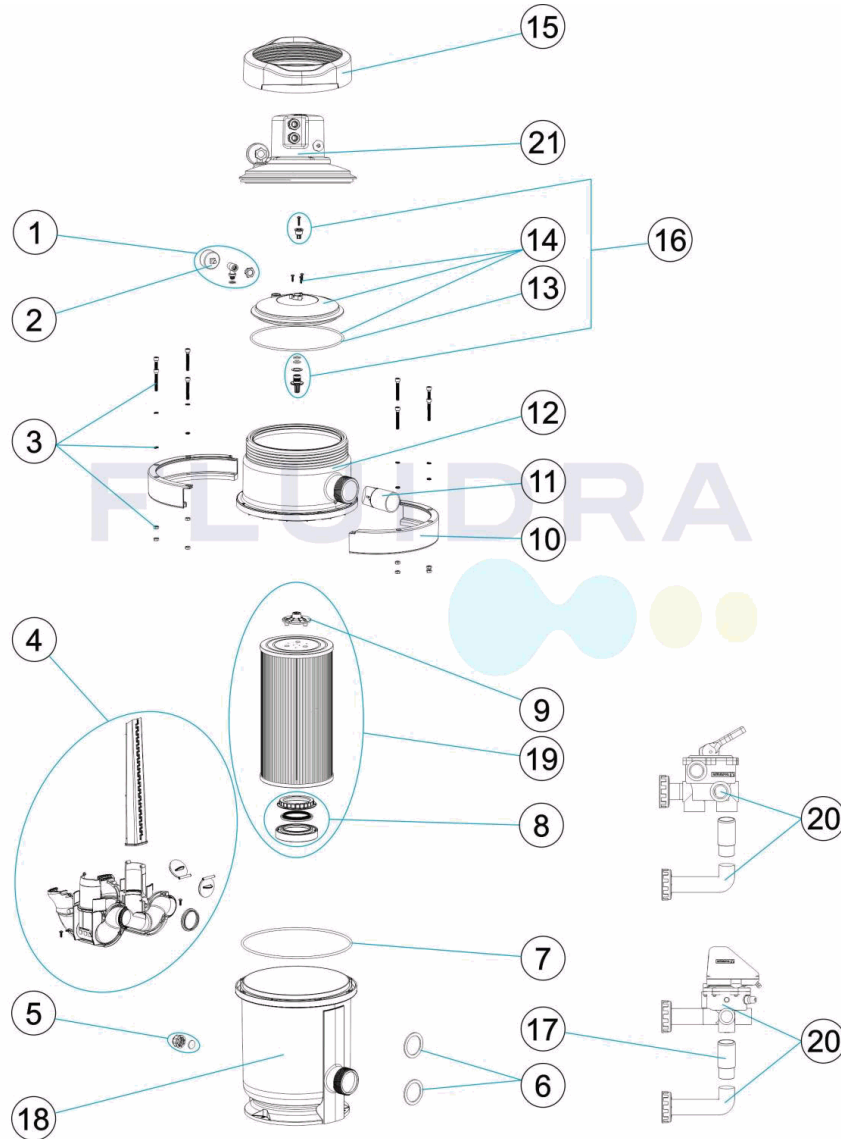
DESCRIPTION: **FILTRE NANOFIBER AUTO 150/180/200**

OBSERVATIONS

POS	CODE	OBSERVATIONS
19	65383	POUR: 67355
19	65384	POUR: 67356
19	65385	POUR: 67357
20	07444	POUR: VÁVULA MANUAL / MANUAL VALVE
20	57187	POUR: VÁLVULA AUTOMÁTICA / AUTOMATIC VALVE

CODE **67355, 67356, 67357**

DESCRIPTION: **NANOFIBER AUTO FILTER 150/180/200**



ENGLISH

POS	CODE	DESCRIPTION	POS	CODE	DESCRIPTION
1	4404080104	COMPLETE PRESSURE GAUGE UNIT	13	4404130002	LID GASKET
2	4404010103	PRESSURE GAUGE 1/8" 3 KG./C "	14	4404130014	TOP COVER + GASKET
3	4404130005	RING BOLT SET	15	4404130007	THREADED LID COLLAR
4	4404130006	SHOWER SET	16	4404130015	NANOFIBER HAND WHEEL
5	4404040012	SAFETY VALVE	17	4404130012	HOSE SLEEVE ADAPTER
6	4404180408	FLAT GASKET 55X72X3,5	18	64837R0001	LOWER BODY
7	4404130008	BODY GASKET	19	* 65383	CARTRIDGE FILTER 150
8	4404130010	BRUSH	19	* 65384	CARTRIDGE FILTER 180
9	4404130009	SHAFT CARTRIDGE	19	* 65385	CARTRIDGE FILTER 200
10	4404130011	CENTRAL RING	20	* 07444	SELECTOR VALVE WITH LINKS 2"
11	4404130013	WATER INLET	20	* 57187	AUTOMATIC MULTIPORT VALVE 1 1/2" & 2"
12	4404130003	UPPER BODY	21	67509	NANOFIBER AUTO KIT

CODE **67355, 67356, 67357**

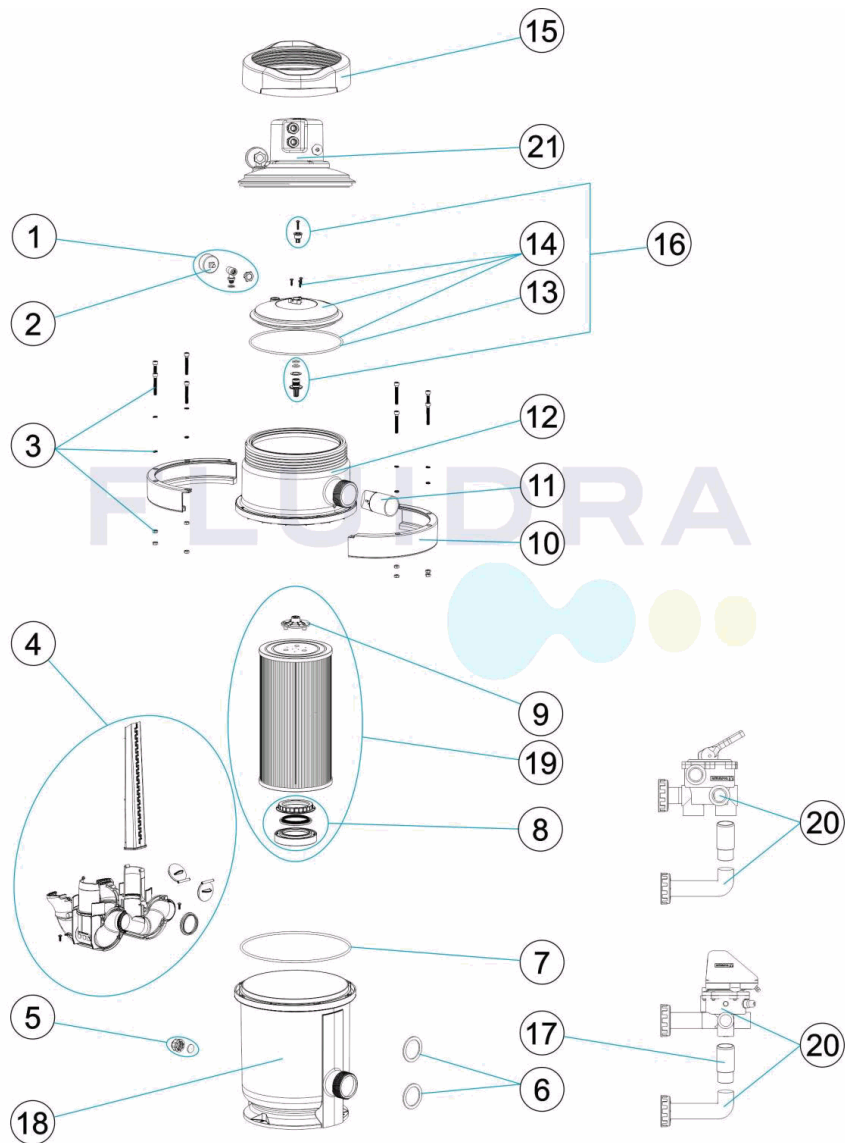
DESCRIPTION: **NANOFIBER AUTO FILTER 150/180/200**

OBSERVATIONS

POS	CODE	OBSERVATIONS
19	65383	FOR: 67355
19	65384	FOR: 67356
19	65385	FOR: 67357
20	07444	FOR: VÁLVULA MANUAL / MANUAL VALVE
20	57187	FOR: VÁLVULA AUTOMÁTICA / AUTOMATIC VALVE

CODICE 67355, 67356, 67357

DESCRIZIONE: FILTRO NANOFIBER AUTO 150/180/200



ITALIANO

POS	CODICE	DESCRIZIONE	POS	CODICE	DESCRIZIONE
1	4404080104	MANOMETRO COMPLETO	13	4404130002	GUARNIZIONE COPERCHIO
2	4404010103	MANOMETRO 1/8" 3 KG./C "	14	4404130014	COPERCHIO SUPERIORE + GUARNIZIONE
3	4404130005	BULLONERIA ANELLO	15	4404130007	GHIERA COPERCHIO
4	4404130006	CONGIUNTO DOCCIA	16	4404130015	VOLANTE NANOFIBER
5	4404040012	VALVOLA DI SICUREZZA	17	4404130012	MANICOTTO ADATTATORE
6	4404180408	GUERNIZIONE PIANA 55X72X3,5	18	64837R0001	CORPO INFERIORE
7	4404130008	GUARNIZIONE CORPO	19	* 65383	CARTUCCIA RICAMBIO PER FILTRO 150
8	4404130010	SPAZZOLE	19	* 65384	CARTUCCIA RICAMBIO PER FILTRO 180
9	4404130009	ASSE CARTUCCIA	19	* 65385	CARTUCCIA RICAMBIO PER FILTRO 200
10	4404130011	ANELLO CENTRALE	20	* 07444	VALVOLA SELETTTRICE CON COLLEGAMENTI 2"
11	4404130013	ENTRATA ACQUA	20	* 57187	VALVOLA SELETTTRICE AUTOMATICA 1 1/2" & 2"
12	4404130003	CORPO SUPERIORE	21	67509	KIT NANOFIBER AUTO

* -> SI FACCIAMO RIFERIMENTO AL FOGLIO DELLE OSSERVAZIONI

CODICE **67355, 67356, 67357**

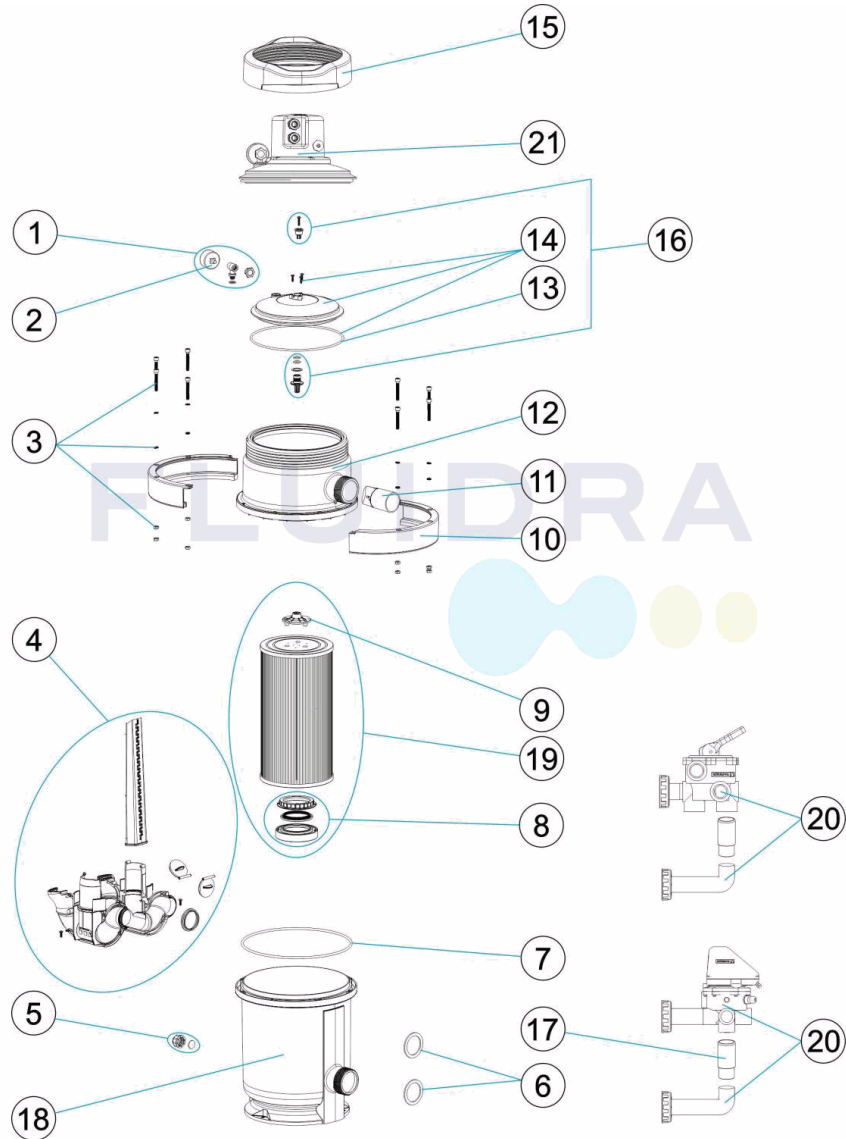
DESCRIZIONE: **FILTRO NANOFIBER AUTO 150/180/200**

OSSERVAZIONI

POS	CODICE	OSSERVAZIONI
19	65383	PER: 67355
19	65384	PER: 67356
19	65385	PER: 67357
20	07444	PER: VÁLVULA MANUAL / MANUAL VALVE
20	57187	PER: VÁLVULA AUTOMÁTICA / AUTOMATIC VALVE

CODE **67355, 67356, 67357**

BESCHREIBUNG: **FILTER NANOFIBER AUTO 150/180/200**



DEUTSCH

POS	CODE	BESCHREIBUNG	POS	CODE	BESCHREIBUNG
1	4404080104	MANOMETER KOMPLETT	13	4404130002	DICHTUNG ABDECKUNG
2	4404010103	MANOMETER 1/8" 3 KG/C "	14	4404130014	ABDECKUNG OBEN + DICHTUNG
3	4404130005	FIXIERSCHRAUBEN RING	15	4404130007	MUTTER ABDECKUNG
4	4404130006	SET DUSCH	16	4404130015	DREHRAD NANOFIBER
5	4404040012	SICHERHEITSVENTIL	17	4404130012	NIPPELADAPTER
6	4404180408	FLACHDICHTUNG 55 X 72 X 3,5	18	64837R0001	UNTERES GEHÄUSE
7	4404130008	DICHTUNG GEHÄUSE	19	* 65383	FILTERKARTUSCHE 150
8	4404130010	BÜRSTE	19	* 65384	FILTERKARTUSCHE 180
9	4404130009	ACHSE KARTUSCHE	19	* 65385	FILTERKARTUSCHE 200
10	4404130011	RING MITTLERES	20	* 07444	MEHRWEGVENTIL MIT ANSCHLÜSSEN 2"
11	4404130013	WASSEREINGANG	20	* 57187	MEHRWEGVENTIL 1 1/2" & 2" AUTOMATISC "
12	4404130003	OBERES GEHÄUSE	21	67509	NANOFIBER AUTO SET

CODE **67355, 67356, 67357**

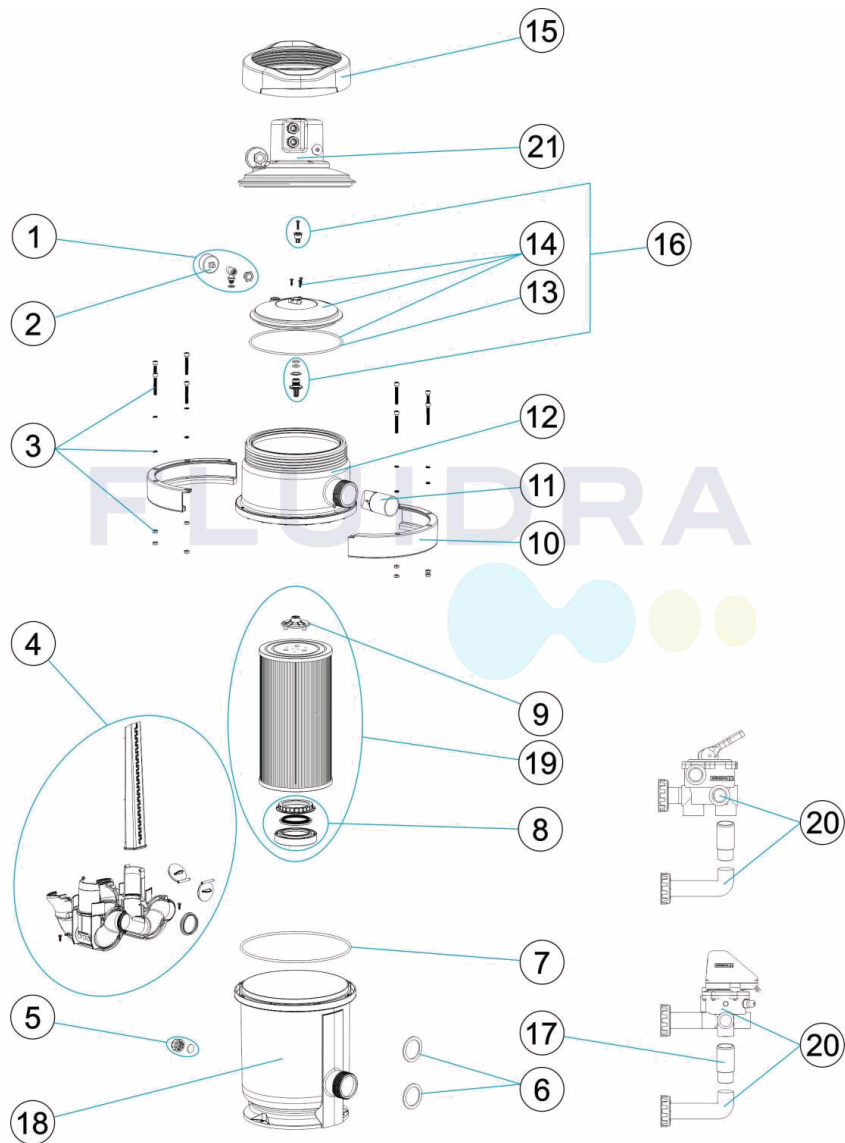
BESCHREIBUNG: **FILTER NANOFIBER AUTO 150/180/200**

HINWEISE

POS	CODE	HINWEISE
19	65383	FÜR: 67355
19	65384	FÜR: 67356
19	65385	FÜR: 67357
20	07444	FÜR: VÁLVULA MANUAL / MANUAL VALVE
20	57187	FÜR: VÁLVULA AUTOMÁTICA / AUTOMATIC VALVE

CODIGO **67355, 67356, 67357**

DESCRIÇÃO: **FILTRO NANOFIBER AUTO 150/180/200**



PORTUGUES

POS	CODIGO	DESCRIÇÃO	POS	CODIGO	DESCRIÇÃO
1	4404080104	MANÔMETRO COMPLETO	13	4404130002	JUNTA TAMPA
2	4404010103	MANOMETRO 1/8" 3 KG./C "	14	4404130014	TAMPA SUPERIOR + JUNTA
3	4404130005	CONJ. PARAFUSOS ANEL	15	4404130007	PORCA TAMPA
4	4404130006	CJTO. DUCHE	16	4404130015	VOLANTE NANOFIBER
5	4404040012	VÁLVULA DE SEGURANÇA	17	4404130012	UNIÃO ADAPTADOR
6	4404180408	JUNTA PLANA 55X72X3,5	18	64837R0001	CORPO INFERIOR
7	4404130008	JUNTA CORPO	19	* 65383	CARTUCHO FILTRO 150
8	4404130010	ESCOVA	19	* 65384	CARTUCHO FILTRO 180
9	4404130009	EIXO CARTUCHO	19	* 65385	CARTUCHO FILTRO 200
10	4404130011	ANEL CENTRAL	20	* 07444	VÁLVULA SELECTORA COM LIGAÇÕES 2"
11	4404130013	ENTRADA ÁGUA	20	* 57187	VÁLVULA SELECTORA AUTOMÁTICA 1 1/2" & 2"
12	4404130003	CORPO SUPERIOR	21	67509	KIT NANOFIBER AUTO

CODIGO 67355, 67356, 67357

DESCRIÇÃO: FILTRO NANOFIBER AUTO 150/180/200

OBSERVAÇÕES

POS	CODIGO	OBSERVAÇÕES
19	65383	PARA: 67355
19	65384	PARA: 67356
19	65385	PARA: 67357
20	07444	PARA: VÁVULA MANUAL / MANUAL VALVE
20	57187	PARA: VÁLVULA AUTOMÁTICA / AUTOMATIC VALVE