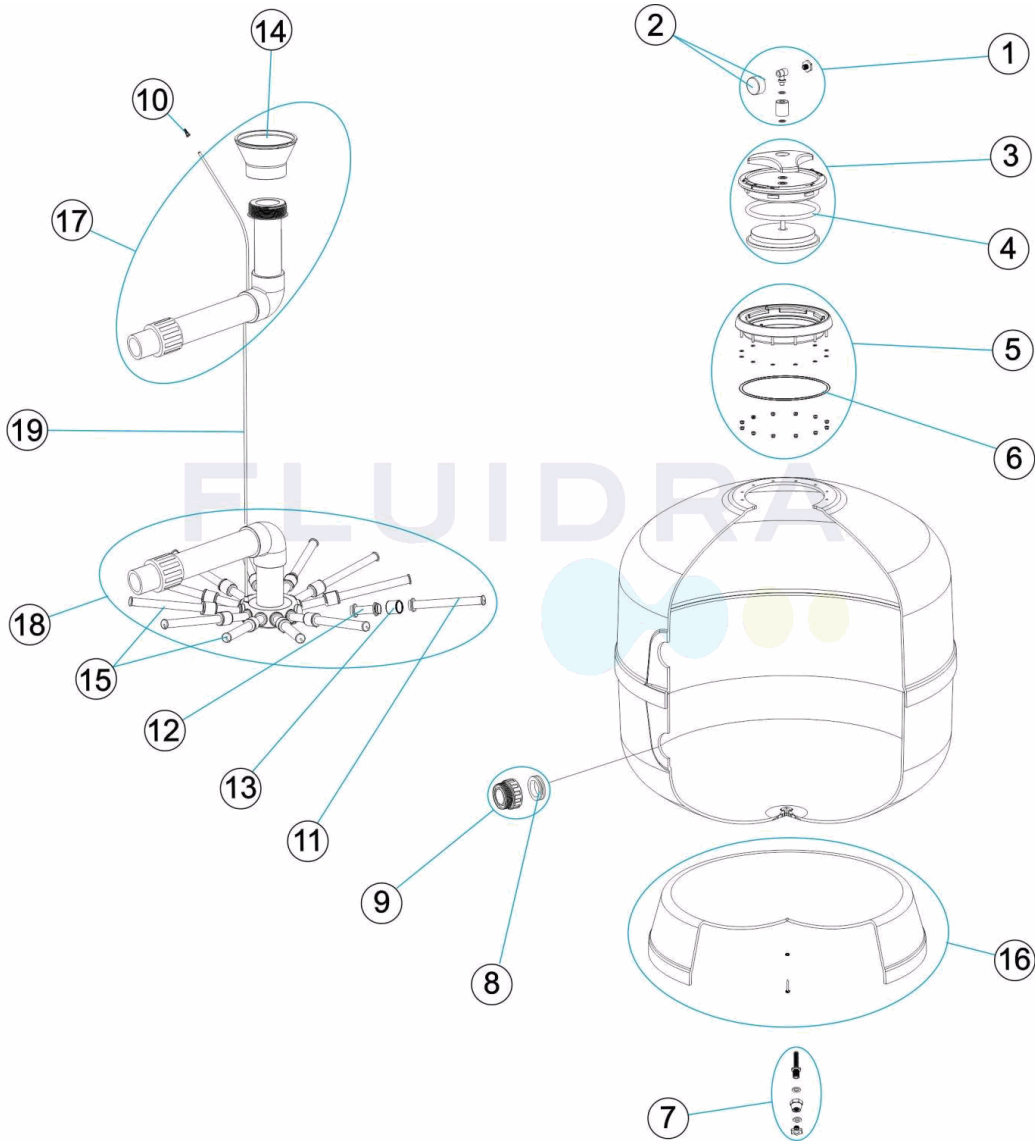


CODIGO 04956, 04957, 04958, 04959, 04960, 04961

DESCRIPCION: FILTROS UVE



ESPAÑOL

POS	CODIGO	DESCRIPCION	POS	CODIGO	DESCRIPCION
1	4404190101	MANOMETRO 1/8" COMPLETO	11	* 4404300917	BRAZO COLECTOR 1" 110 MM
2	4404010103	MANOMETRO 1/8" 3 KG./CM	11	* 4404300915	BRAZO COLECTOR 1" 175 MM
3	4404020102	TAPA RAPID COMPLETA	11	* 4404300916	BRAZO COLECTOR 1" 225 MM
4	4404020111	JUNTA TAPA	11	* 4404290109	BRAZO COLECTOR 1" 265 MM
5	4404020108	ARO TAPA COMPLETO	12	* 4404260419	BRAZO COLECTOR 1" 100 MM
6	4404020116	JUNTA TORICA 255X4	13	* 4404260418	MANGUITO ENLACE UNION 1"
7	4404010108	PURGA AGUA 3/8"	14	* 4404301004	CONO DIFUSOR D.50
8*	4404020112	JUNTA CONCAVA 1 1/2"	14	* 4404300910	CONO DIFUSOR D. 63
8*	4404020211	JUNTA CONCAVA 2"	14	* 4404190324	CONO DIFUSOR D.75
8*	4404190112	JUNTA CONCAVA 2 1/2"	15	* 4404010025	CJTO. BRAZOS COLECTOR D. 400
9*	4404020103	RACORD 1 1/2' + JUNTA CONCAVA	15	* 4404010026	CJTO. BRAZOS COLECTOR D. 500
9*	4404020203	RACORD 2' + JUNTA	15	* 4404010027	CJTO. BRAZOS COLECTOR D. 650
9*	4404290108	RACOR SALIDA 2 1/2" + JUNTA TORICA	15	* 4404010048	CJTO. BRAZOS COLECTOR D. 750

* -> VER HOJA DE OBSERVACIONES

CODIGO **04956, 04957, 04958, 04959, 04960, 04961**

DESCRIPCION: **FILTROS UVE**

10	4404040108	PURGA AIRE	15	* 4404260401	CJTO. BRAZOS COLECTOR D. 950 - 1050
16	* 4404010040	PIE FILTRO D. 350	17	* 4404010223	CJTO. DIFUSOR D. 950
16	* 4404010088	PIE FILTRO D. 450	18	* 4404010099	CJTO. COLECTOR D. 350
16	* 4404010089	PIE FILTRO D. 500	18	* 4404010100	CJTO. COLECTOR D. 450
16	* 4404010090	PIE FILTRO D. 650	18	* 4404010225	CJTO. COLECTOR D. 500
16	* 4404010091	PIE FILTRO D. 800	18	* 4404010110	CJTO. COLECTOR D. 650
16	* 4404010093	PIE FILTRO D. 950	18	* 4404010111	CJTO. COLECTOR D. 800
17	* 4404010094	CJTO. DIFUSOR D. 350	18	* 4404010226	CJTO. COLECTOR D. 950
17	* 4404010095	CJTO. DIFUSOR D. 450	19	* 4404300607	TUBO PVC RIGIDO L-525
17	* 4404302114	CJTO. DIFUSOR 500	19	* 4404301003	PURGA AIRE + TUBO L=670
17	* 4404010096	CJTO. DIFUSOR D. 650	19	* 4404300707	TUBO RIGIDO L-845
17	* 4404010097	CJTO. DIFUSOR D. 800	19	* 4404300903	TUBO PVC RIGIDO L, 1120 MM

CODIGO 04956, 04957, 04958, 04959, 04960, 04961

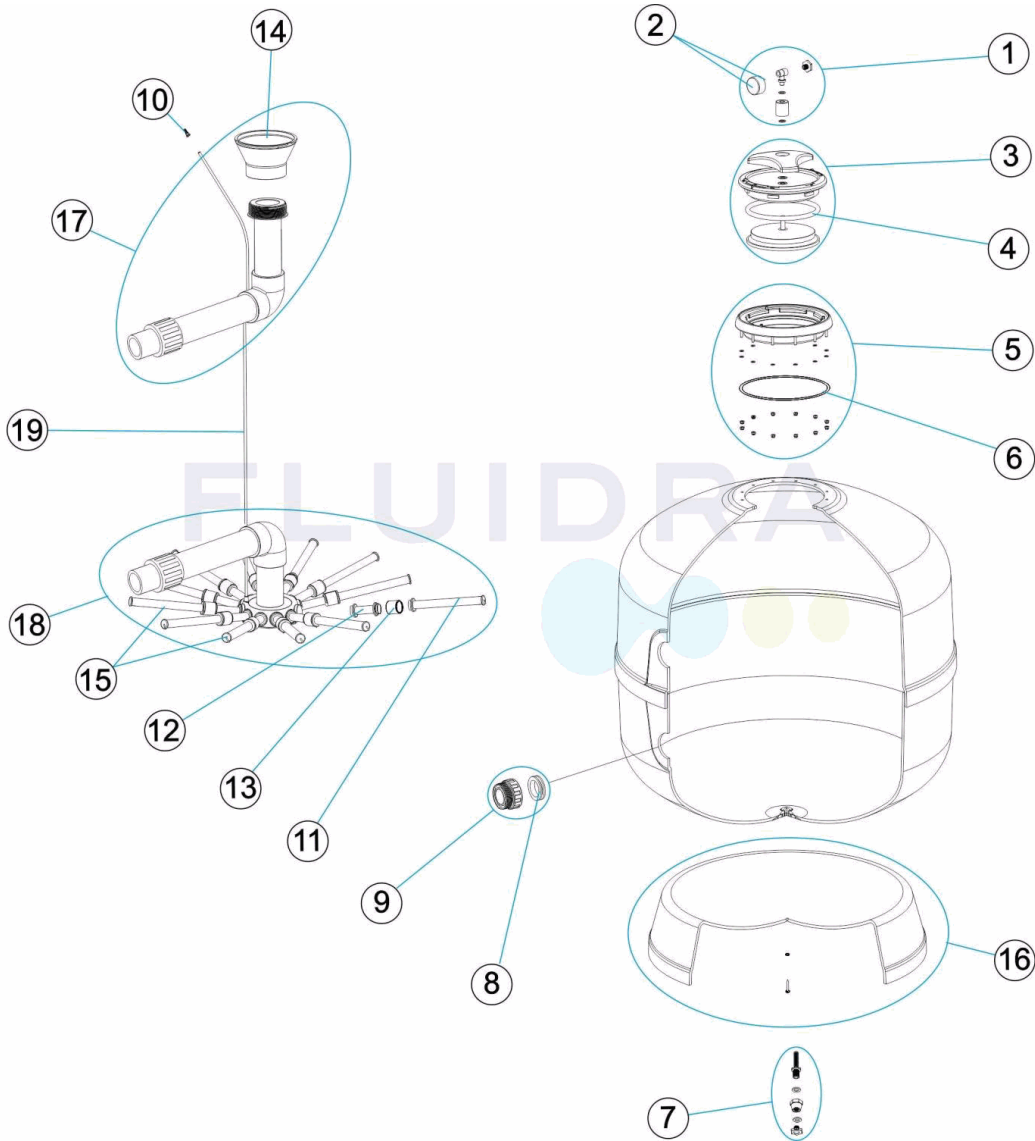
DESCRIPCION: FILTROS UVE

OBSERVACIONES

POS	CODIGO	OBSERVACIONES
8	4404020112	PARA: 04956, 04957, 04958, 04959
8	4404020211	PARA: 04960
8	4404190112	PARA: 04961
9	4404020103	PARA: 04956, 04957, 04958, 04959
9	4404020203	PARA: 04960
9	4404290108	PARA: 04961
11	4404290109	PARA: 04960 [6UT]
11	4404300915	PARA: 04957 [4UT], 04958 [4UT]
11	4404300916	PARA: 04959 [4UT], 04961 [6UT]
11	4404300917	PARA: 04956 [4UT]
12	4404260419	PARA: 04961 [3UT]
13	4404260418	PARA: 04961 [3UT]
14	4404190324	PARA: 04961
14	4404300910	PARA: 04960
14	4404301004	PARA: 04956, 04957, 04958, 04959
15	4404010025	PARA: 04956
15	4404010026	PARA: 04957, 04958
15	4404010027	PARA: 04959
15	4404010048	PARA: 04960
15	4404260401	PARA: 04961
16	4404010040	PARA: 04956
16	4404010088	PARA: 04957
16	4404010089	PARA: 04958
16	4404010090	PARA: 04959
16	4404010091	PARA: 04960
16	4404010093	PARA: 04961
17	4404010094	PARA: 04956
17	4404010095	PARA: 04957
17	4404010096	PARA: 04959
17	4404010097	PARA: 04960
17	4404010223	PARA: 04961
17	4404302114	PARA: 04958
18	4404010099	PARA: 04956
18	4404010100	PARA: 04957
18	4404010110	PARA: 04959
18	4404010111	PARA: 04960
18	4404010225	PARA: 04958
18	4404010226	PARA: 04961
19	4404300607	PARA: 04956
19	4404300707	PARA: 04960
19	4404300903	PARA: 04961
19	4404301003	PARA: 04957, 04958, 04959

CODE **04956, 04957, 04958, 04959, 04960, 04961**

DESCRIPTION: **FILTRES UVE**



FRANCAIS

POS	CODE	DESCRIPTION	POS	CODE	DESCRIPTION
1	4404190101	MANOMETRE 1/8" COMPLET	11	* 4404300917	BRAS DE REPARTITEUR 1" 110 MM
2	4404010103	MANOMETRE 1/8" 3 KG./CM	11	* 4404300915	BRAS DE REPARTITEUR 1" 175 MM
3	4404020102	COUVERCLE RAPID COMPLET	11	* 4404300916	BRAS DE REPARTITEUR 1" 225 MM
4	4404020111	JOINT DE COUVERCLE	11	* 4404290109	BRAS DE REPARTITEUR 1" 265 M/M.
5	4404020108	BRIDE DE COUVERCLE COMPLETE	12	* 4404260419	BRAS DE REPARTITEUR 1" 100MM
6	4404020116	JOINT TORIQUE 255X4	13	* 4404260418	MANCHON UNION 1"
7	4404010108	PURGE D'EAU 3/8"	14	* 4404301004	DIFUSOR CONIQUE SUPÉRIOR D. 50
8*	4404020112	JOINT CONCAVE 1 1/2"	14	* 4404300910	DIFUSOR CONIQUE SUPÉRIOR D. 63
8*	4404020211	JOINT CONCAVE 2"	14	* 4404190324	DIFUSOR CONIQUE SUPÉRIOR D. 75
8*	4404190112	JOINT CONCAVE 2 1/2"	15	* 4404010025	ENSEMBLE BRAS DE REPARTITEUR D. 400
9*	4404020103	RACCORD 1 1/2" + JOINT CONCAVE	15	* 4404010026	ENSEMBLE BRAS DE REPARTITEUR D. 500
9*	4404020203	RACCORD 2" + JOINT	15	* 4404010027	ENSEMBLE BRAS DE REPARTITEUR D. 650
9*	4404290108	RACCOR SORTIE 2 1/2" + JOINT TORIQUE	15	* 4404010048	ENSEMBLE BRAS DE REPARTITEUR D. 750

*** -> VOIR FICHE D'OBSERVATIONS**

CODE **04956, 04957, 04958, 04959, 04960, 04961**

DESCRIPTION: **FILTRES UVE**

10	4404040108	PURGE D'AIR	15	* 4404260401	ENSEMBLE BRAS DE REPARTITEUR D. 950-1050
16	* 4404010040	SOCLE FILTRE D. 350	17	* 4404010223	ENSEMBLE DIFFUSEUR D. 950
16	* 4404010088	SOCLE FILTRE D. 450	18	* 4404010099	ENSEMBLE COLLECTEUR D. 350
16	* 4404010089	SOCLE FILTRE D. 500	18	* 4404010100	ENSEMBLE COLLECTEUR D. 450
16	* 4404010090	SOCLE FILTRE D. 650	18	* 4404010225	ENSEMBLE COLLECTEUR D. 500
16	* 4404010091	SOCLE FILTRE D. 800	18	* 4404010110	ENSEMBLE COLLECTEUR D. 650
16	* 4404010093	SOCLE FILTRE D. 950	18	* 4404010111	ENSEMBLE COLLECTEUR D. 800
17	* 4404010094	ENSEMBLE DIFFUSEUR D. 350	18	* 4404010226	ENSEMBLE COLLECTEUR D. 950
17	* 4404010095	ENSEMBLE DIFFUSEUR D. 450	19	* 4404300607	TUBE PVC RIGIDE L-525
17	* 4404302114	ENSEMBLE DIFFUSEUR 50	19	* 4404301003	PURGE AIR + TUBE L=670
17	* 4404010096	ENSEMBLE DIFFUSEUR D. 650	19	* 4404300707	TUBE RIGIDE L-845
17	* 4404010097	ENSEMBLE DIFFUSEUR D. 800	19	* 4404300903	TUBE PVC RIGIDE L, 1120 MM

CODE **04956, 04957, 04958, 04959, 04960, 04961**

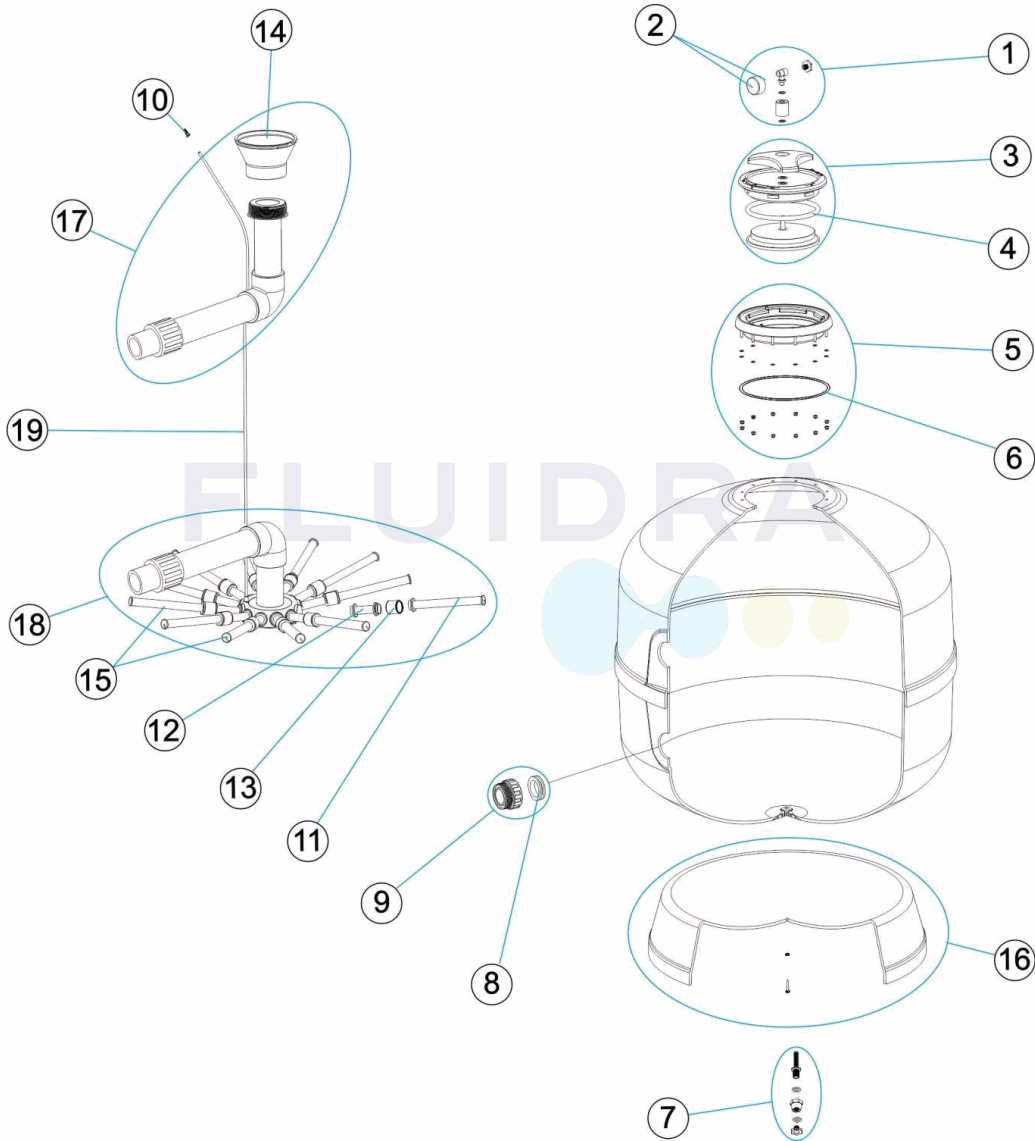
DESCRIPTION: **FILTRES UVE**

OBSERVATIONS

POS	CODE	OBSERVATIONS
8	4404020112	POUR: 04956, 04957, 04958, 04959
8	4404020211	POUR: 04960
8	4404190112	POUR: 04961
9	4404020103	POUR: 04956, 04957, 04958, 04959
9	4404020203	POUR: 04960
9	4404290108	POUR: 04961
11	4404290109	POUR: 04960 [6UT]
11	4404300915	POUR: 04957 [4UT], 04958 [4UT]
11	4404300916	POUR: 04959 [4UT], 04961 [6UT]
11	4404300917	POUR: 04956 [4UT]
12	4404260419	POUR: 04961 [3UT]
13	4404260418	POUR: 04961 [3UT]
14	4404190324	POUR: 04961
14	4404300910	POUR: 04960
14	4404301004	POUR: 04956, 04957, 04958, 04959
15	4404010025	POUR: 04956
15	4404010026	POUR: 04957, 04958
15	4404010027	POUR: 04959
15	4404010048	POUR: 04960
15	4404260401	POUR: 04961
16	4404010040	POUR: 04956
16	4404010088	POUR: 04957
16	4404010089	POUR: 04958
16	4404010090	POUR: 04959
16	4404010091	POUR: 04960
16	4404010093	POUR: 04961
17	4404010094	POUR: 04956
17	4404010095	POUR: 04957
17	4404010096	POUR: 04959
17	4404010097	POUR: 04960
17	4404010223	POUR: 04961
17	4404302114	POUR: 04958
18	4404010099	POUR: 04956
18	4404010100	POUR: 04957
18	4404010110	POUR: 04959
18	4404010111	POUR: 04960
18	4404010225	POUR: 04958
18	4404010226	POUR: 04961
19	4404300607	POUR: 04956
19	4404300707	POUR: 04960
19	4404300903	POUR: 04961
19	4404301003	POUR: 04957, 04958, 04959

CODE **04956, 04957, 04958, 04959, 04960, 04961**

DESCRIPTION: **UVE FILTERS**



ENGLISH

POS	CODE	DESCRIPTION	POS	CODE	DESCRIPTION
1	4404190101	PRESSURE GAUGE UNIT 1/8"	11	* 4404300917	MANIFOLD ARM 1" 110 MM
2	4404010103	PRESSURE GAUGE 1/8" 3 KG./CM	11	* 4404300915	MANIFOLD ARM 1" 175 MM
3	4404020102	QUICK CLOSING LID UNIT	11	* 4404300916	MANIFOLD ARM 1" 225 MM
4	4404020111	LID GASKET	11	* 4404290109	COLLECTOR ARM 1" 265 MM
5	4404020108	LID RING UNIT	12	* 4404260419	MANIFOLD ARM 1" 100 MM
6	4404020116	O' RING 255X4	13	* 4404260418	UNION 1"
7	4404010108	WATER PURGE 3/8"	14	* 4404301004	DIFFUSER CONE D. 50
8*	4404020112	CONCAVE GASKET 1 1/2"	14	* 4404300910	DIFFUSER CONE D. 63
8*	4404020211	CONCAVE GASKET 2"	14	* 4404190324	DIFFUSER CONE D. 75
8*	4404190112	CONCAVE GASKET 2 1/2"	15	* 4404010025	MANIFOLD ARM ASSEMBLY D. 400
9*	4404020103	1 1/2' FITTING + CONCAVE GASKET	15	* 4404010026	MANIFOLD ARM ASSEMBLY D. 500
9*	4404020203	2' FITTING + GASKET	15	* 4404010027	MANIFOLD ARM ASSEMBLY D. 650
9*	4404290108	OUTLET UNION 2 1/2" + O-RING	15	* 4404010048	MANIFOLD ARM ASSEMBLY D. 750

*** -> SEE OBSERVATIONS SHEET**

CODE **04956, 04957, 04958, 04959, 04960, 04961**

DESCRIPTION: **UVE FILTERS**

10	4404040108	AIR PURGE	15	* 4404260401	MANIFOLD ARM ASSEMBLY D. 950-1050
16	* 4404010040	FILTER BASE D. 350	17	* 4404010223	DIFFUSER ASSEMBLY D. 950
16	* 4404010088	FILTER BASE D. 450	18	* 4404010099	MANIFOLD ASSEMBLY D. 350
16	* 4404010089	FILTER BASE D. 500	18	* 4404010100	MANIFOLD ASSEMBLY D. 450
16	* 4404010090	FILTER BASE D. 650	18	* 4404010225	MANIFOLD ASSEMBLY D. 500
16	* 4404010091	FILTER BASE D. 800	18	* 4404010110	MANIFOLD ASSEMBLY D. 650
16	* 4404010093	FILTER BASE D. 950	18	* 4404010111	MANIFOLD ASSEMBLY D. 800
17	* 4404010094	DIFFUSER ASSEMBLY D. 350	18	* 4404010226	MANIFOLD ASSEMBLY D. 950
17	* 4404010095	DIFFUSER ASSEMBLY D. 450	19	* 4404300607	RIGID PVC PIPE L-525
17	* 4404302114	DIFFUSER ASSEMBLY 500	19	* 4404301003	AIR PURGE + PIPE L=670
17	* 4404010096	DIFFUSER ASSEMBLY D. 650	19	* 4404300707	RIGID PIPE L-845
17	* 4404010097	DIFFUSER ASSEMBLY D. 800	19	* 4404300903	RIGID PVC PIPE L-1120 MM

CODE **04956, 04957, 04958, 04959, 04960, 04961**

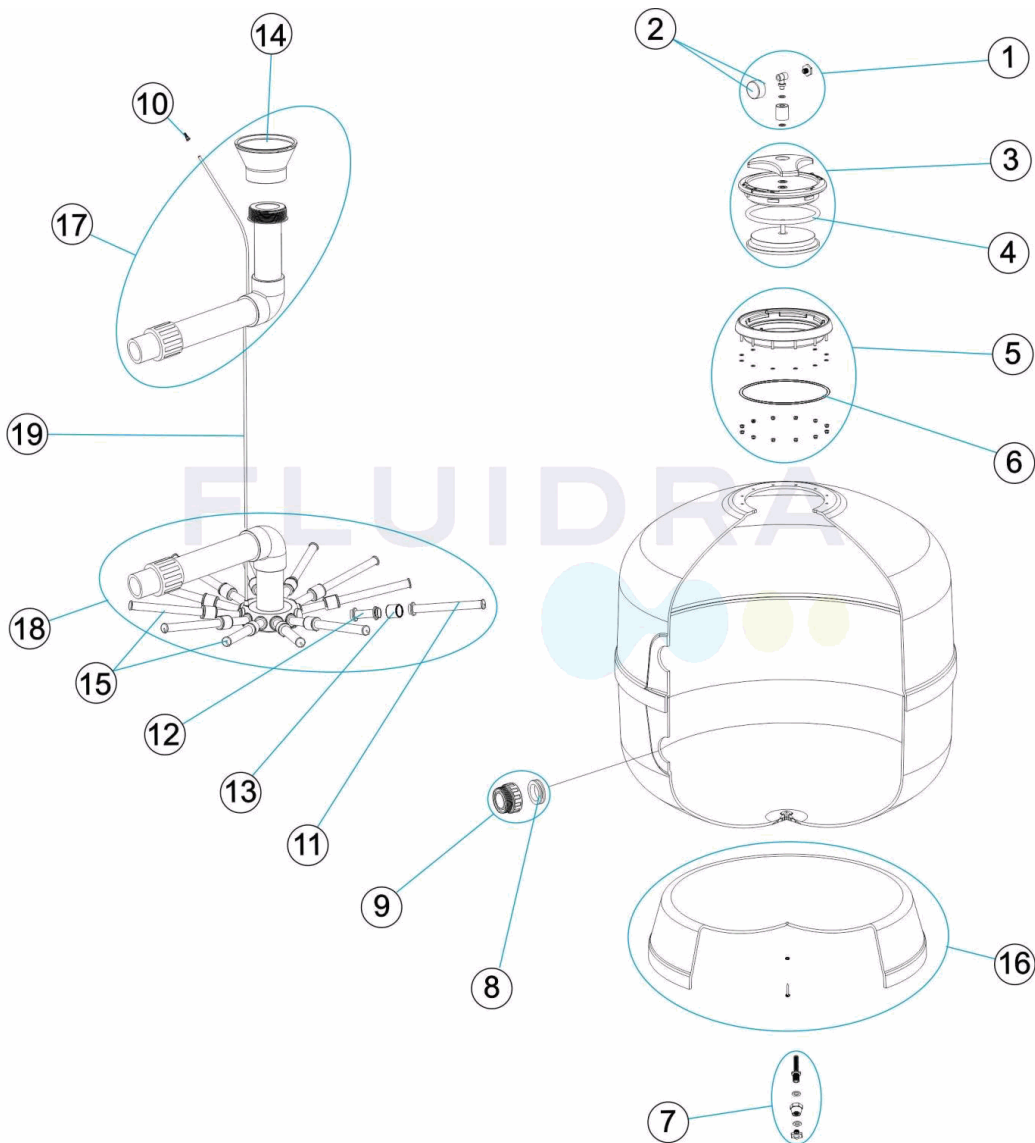
DESCRIPTION: **UVE FILTERS**

OBSERVATIONS

POS	CODE	OBSERVATIONS
8	4404020112	FOR: 04956, 04957, 04958, 04959
8	4404020211	FOR: 04960
8	4404190112	FOR: 04961
9	4404020103	FOR: 04956, 04957, 04958, 04959
9	4404020203	FOR: 04960
9	4404290108	FOR: 04961
11	4404290109	FOR: 04960 [6UT]
11	4404300915	FOR: 04957 [4UT], 04958 [4UT]
11	4404300916	FOR: 04959 [4UT], 04961 [6UT]
11	4404300917	FOR: 04956 [4UT]
12	4404260419	FOR: 04961 [3UT]
13	4404260418	FOR: 04961 [3UT]
14	4404190324	FOR: 04961
14	4404300910	FOR: 04960
14	4404301004	FOR: 04956, 04957, 04958, 04959
15	4404010025	FOR: 04956
15	4404010026	FOR: 04957, 04958
15	4404010027	FOR: 04959
15	4404010048	FOR: 04960
15	4404260401	FOR: 04961
16	4404010040	FOR: 04956
16	4404010088	FOR: 04957
16	4404010089	FOR: 04958
16	4404010090	FOR: 04959
16	4404010091	FOR: 04960
16	4404010093	FOR: 04961
17	4404010094	FOR: 04956
17	4404010095	FOR: 04957
17	4404010096	FOR: 04959
17	4404010097	FOR: 04960
17	4404010223	FOR: 04961
17	4404302114	FOR: 04958
18	4404010099	FOR: 04956
18	4404010100	FOR: 04957
18	4404010110	FOR: 04959
18	4404010111	FOR: 04960
18	4404010225	FOR: 04958
18	4404010226	FOR: 04961
19	4404300607	FOR: 04956
19	4404300707	FOR: 04960
19	4404300903	FOR: 04961
19	4404301003	FOR: 04957, 04958, 04959

CODICE 04956, 04957, 04958, 04959, 04960, 04961

DESCRIZIONE: FILTRI UVE



ITALIANO

POS	CODICE	DESCRIZIONE	POS	CODICE	DESCRIZIONE
1	4404190101	MANOMETRO 1/8" COMPLETO	11	* 4404300917	CANDELOTTO COLLECTORE 1" 110 MM
2	4404010103	MANOMETRO 1/8" 3 KG./CM	11	* 4404300915	CANDELOTTO COLLECTORE 1" 175 MM
3	4404020102	COPERCHIO RAPID COMPLETO	11	* 4404300916	CANDELOTTO COLLECTORE 1" 225 MM
4	4404020111	GUARNIZIONE COPERCHIO	11	* 4404290109	CANDELOTTO 1" 265 M/M.
5	4404020108	FLANGIA COPERCHIO COMPLETO	12	* 4404260419	CANDELOTTO COLLECTORE 1" 100MM
6	4404020116	O-RING 255X4	13	* 4404260418	MANICOTTO DA 1" PER CANDELOTTI
7	4404010108	SCARICO ACQUA 3/8"	14	* 4404301004	CONO DIFFUSORE D. 50
8*	4404020112	GUARNIZIONI CONCAVA 1 1/2"	14	* 4404300910	CONO DIFFUSORE D. 63
8*	4404020211	GUARNIZIONI CONCAVA 2"	14	* 4404190324	CONO DIFFUSORE D. 75
8*	4404190112	GUARNIZIONI CONCAVA 2 1/2"	15	* 4404010025	GRUPPO CANDELOTTO COLLECTORE D. 400
9*	4404020103	RACCORDO 1 1/2' + GUAR. CONCAVA	15	* 4404010026	GRUPPO CANDELOTTO COLLECTORE D. 500
9*	4404020203	RACCORDO 2' + GUARNIZIONE	15	* 4404010027	GRUPPO CANDELOTTO COLLECTORE D. 650
9*	4404290108	RACCORDO USCITA 2 1/2" + O-RING	15	* 4404010048	GRUPPO CANDELOTTO COLLECTORE D. 750

* -> SI FACCIA RIFERIMENTO AL FOGLIO DELLE OSSERVAZIONI

CODICE **04956, 04957, 04958, 04959, 04960, 04961**

DESCRIZIONE: **FILTRI UVE**

10	4404040108	SFIATO ARIA	15	* 4404260401	GRUPPO CANDELOTTO COLLECTORE D. 950-1050
16	* 4404010040	BASE FILTRO D. 350	17	* 4404010223	RACCORDO DIFFUSORE D. 950
16	* 4404010088	BASE FILTRO D. 450	18	* 4404010099	KIT COLLETTORE D. 350
16	* 4404010089	BASE FILTRO D. 500	18	* 4404010100	KIT COLLETTORE D. 450
16	* 4404010090	BASE FILTRO D. 650	18	* 4404010225	KIT COLLETTORE D. 500
16	* 4404010091	BASE FILTRO D. 800	18	* 4404010110	KIT COLLETTORE D. 650
16	* 4404010093	BASE FILTRO D. 950	18	* 4404010111	KIT COLLETTORE D. 800
17	* 4404010094	RACCORDO DIFFUSORE D. 350	18	* 4404010226	KIT COLLETTORE D. 950
17	* 4404010095	RACCORDO DIFFUSORE D. 450	19	* 4404300607	TUBO PVC RIGIDO L-525
17	* 4404302114	RACCORDO DIFFUSORE 500	19	* 4404301003	SPURGO ARIA + TUBO L=670
17	* 4404010096	RACCORDO DIFFUSORE D. 650	19	* 4404300707	TUBO RIGIDO L-845
17	* 4404010097	RACCORDO DIFFUSORE D. 800	19	* 4404300903	TUBO PVC RIGIDO L, 1120 MM

CODICE **04956, 04957, 04958, 04959, 04960, 04961**

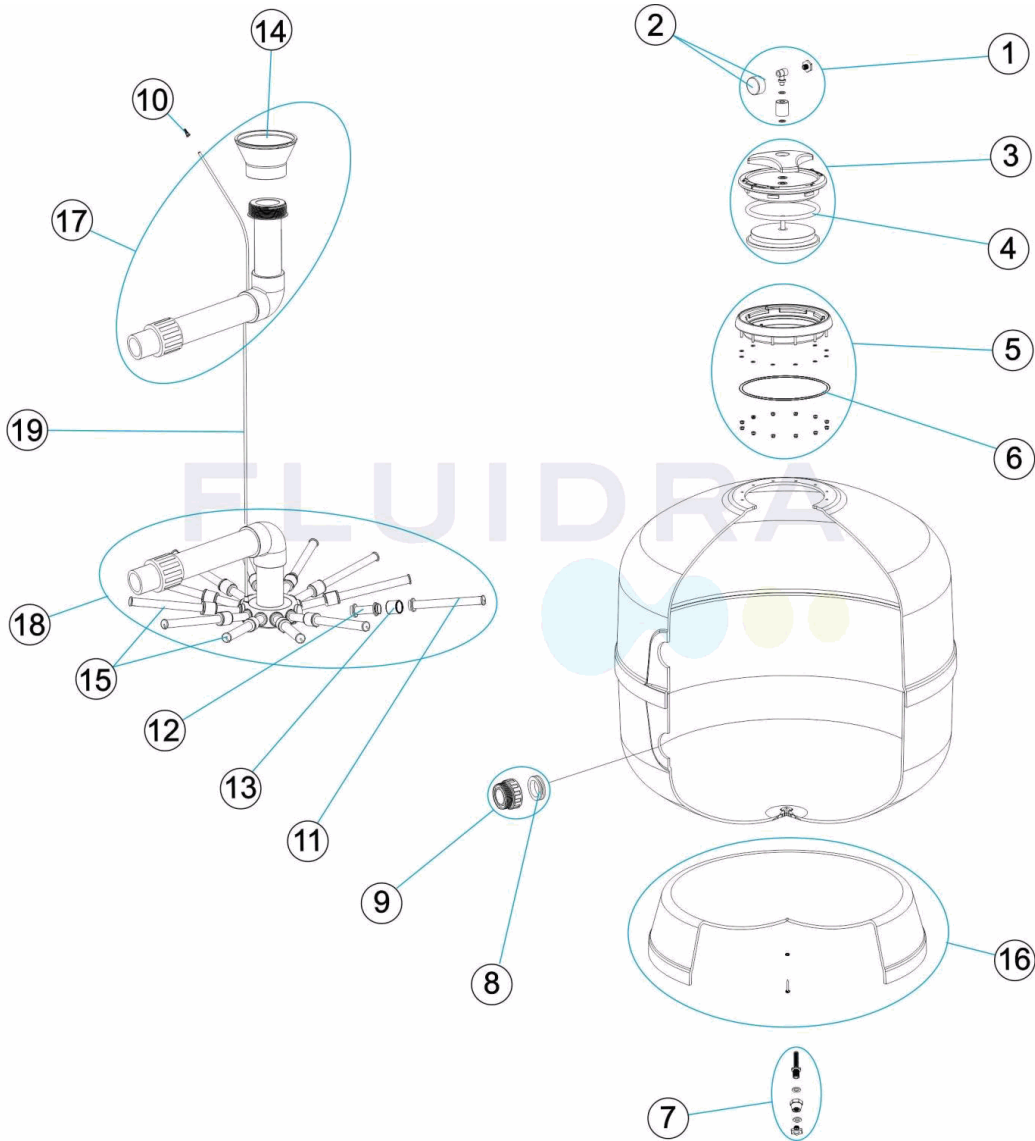
DESCRIZIONE: **FILTRI UVE**

OSSERVAZIONI

POS	CODICE	OSSERVAZIONI
8	4404020112	PER: 04956, 04957, 04958, 04959
8	4404020211	PER: 04960
8	4404190112	PER: 04961
9	4404020103	PER: 04956, 04957, 04958, 04959
9	4404020203	PER: 04960
9	4404290108	PER: 04961
11	4404290109	PER: 04960 [6UT]
11	4404300915	PER: 04957 [4UT], 04958 [4UT]
11	4404300916	PER: 04959 [4UT], 04961 [6UT]
11	4404300917	PER: 04956 [4UT]
12	4404260419	PER: 04961 [3UT]
13	4404260418	PER: 04961 [3UT]
14	4404190324	PER: 04961
14	4404300910	PER: 04960
14	4404301004	PER: 04956, 04957, 04958, 04959
15	4404010025	PER: 04956
15	4404010026	PER: 04957, 04958
15	4404010027	PER: 04959
15	4404010048	PER: 04960
15	4404260401	PER: 04961
16	4404010040	PER: 04956
16	4404010088	PER: 04957
16	4404010089	PER: 04958
16	4404010090	PER: 04959
16	4404010091	PER: 04960
16	4404010093	PER: 04961
17	4404010094	PER: 04956
17	4404010095	PER: 04957
17	4404010096	PER: 04959
17	4404010097	PER: 04960
17	4404010223	PER: 04961
17	4404302114	PER: 04958
18	4404010099	PER: 04956
18	4404010100	PER: 04957
18	4404010110	PER: 04959
18	4404010111	PER: 04960
18	4404010225	PER: 04958
18	4404010226	PER: 04961
19	4404300607	PER: 04956
19	4404300707	PER: 04960
19	4404300903	PER: 04961
19	4404301003	PER: 04957, 04958, 04959

CODE **04956, 04957, 04958, 04959, 04960, 04961**

BESCHREIBUNG: **FILTER UVE**



DEUTSCH

POS	CODE	BESCHREIBUNG	POS	CODE	BESCHREIBUNG
1	4404190101	MANOMETER 1/8" KOMPLETT	11	* 4404300917	FILTERSTERN SCHLITZROHR 1" 110 MM
2	4404010103	MANOMETER 1/8" 3 KG./CM	11	* 4404300915	FILTERSTERN SCHLITZROHR 1" 175 MM
3	4404020102	DECKEL RAPID KOMPLETT	11	* 4404300916	FILTERSTERN SCHLITZROHR 1" 225 MM
4	4404020111	DECKELDICHTUNG	11	* 4404290109	KOLLEKTORARM 1" 265 M/M.
5	4404020108	EINSATZ RAPID DECKEL KOMPLETT	12	* 4404260419	FILTERSTERN SCHLITZROHR 1" 100MM
6	4404020116	O-RING 255X4	13	* 4404260418	MUFFE 1"
7	4404010108	ENTLEERUNGSSATZ FILTER 3/8"	14	* 4404301004	VERTEILER KONUS D. 50
8*	4404020112	DICHTUNGEN GEWÖLBT 1 1/2"	14	* 4404300910	VERTEILER KONUS D. 63
8*	4404020211	DICHTUNGEN GEWÖLBT 2"	14	* 4404190324	VERTEILER KONUS D. 75
8*	4404190112	DICHTUNGEN GEWÖLBT 2 1/2"	15	* 4404010025	SET FILTERSTERN SCHLITZROHR D. 400
9*	4404020103	BEHÄLTERVERSCHRAUBUNGSSATZ 1 1/2"	15	* 4404010026	SET FILTERSTERN SCHLITZROHR D. 500
9*	4404020203	BEHÄLTERVERSCHRAUBUNGSSATZ 2"	15	* 4404010027	SET FILTERSTERN SCHLITZROHR D. 650
9*	4404290108	ANSCHLUSS AUSLAUF 2 1/2"	15	* 4404010048	SET FILTERSTERN SCHLITZROHR D. 750

* -> SIEHE ANMERKUNGSBLATT

CODE **04956, 04957, 04958, 04959, 04960, 04961**

BESCHREIBUNG: **FILTER UVE**

10	4404040108	FILTER ENTLÜFTUNG	15	* 4404260401	SET FILTERSTERN SCHLITZROHR D. 950-1050
16	* 4404010040	FUSS FILTER D. 350	17	* 4404010223	OBERER WASSERVETEILER D. 950
16	* 4404010088	FUSS FILTER D. 450	18	* 4404010099	UNTERER WASSERVETEILER D-350
16	* 4404010089	FUSS FILTER D. 500	18	* 4404010100	UNTERER WASSERVETEILER D-450
16	* 4404010090	FUSS FILTER D. 650	18	* 4404010225	UNTERER WASSERVETEILER D. 500
16	* 4404010091	FUSS FILTER D. 800	18	* 4404010110	UNTERER WASSERVETEILER D-650
16	* 4404010093	FUSS FILTER D. 950	18	* 4404010111	UNTERER WASSERVETEILER D-800
17	* 4404010094	OBERER WASSERVETEILER D. 350	18	* 4404010226	UNTERER WASSERVETEILER D. 950
17	* 4404010095	OBERER WASSERVETEILER D. 450	19	* 4404300607	STARRES PVC-ROHR L-525
17	* 4404302114	OBERER WASSERVETEILER 500	19	* 4404301003	ENTLÜFTUNG + ROHR L=670
17	* 4404010096	OBERER WASSERVETEILER D. 650	19	* 4404300707	STARRES ROHR L-845
17	* 4404010097	OBERER WASSERVETEILER D. 800	19	* 4404300903	STARRES PVC-ROHR L, 1120 MM

CODE **04956, 04957, 04958, 04959, 04960, 04961**

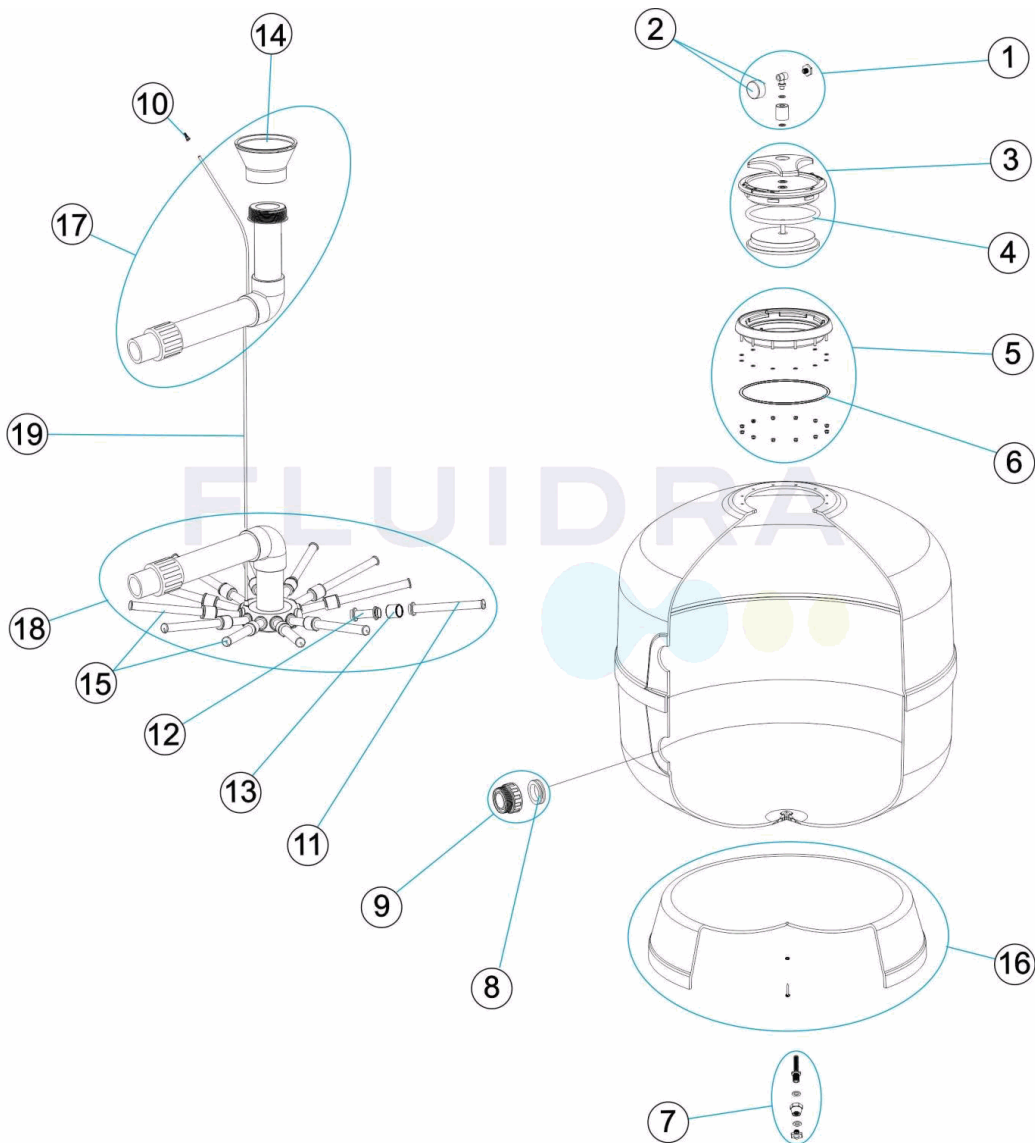
BESCHREIBUNG: **FILTER UVE**

HINWEISE

POS	CODE	HINWEISE
8	4404020112	FÜR: 04956, 04957, 04958, 04959
8	4404020211	FÜR: 04960
8	4404190112	FÜR: 04961
9	4404020103	FÜR: 04956, 04957, 04958, 04959
9	4404020203	FÜR: 04960
9	4404290108	FÜR: 04961
11	4404290109	FÜR: 04960 [6UT]
11	4404300915	FÜR: 04957 [4UT], 04958 [4UT]
11	4404300916	FÜR: 04959 [4UT], 04961 [6UT]
11	4404300917	FÜR: 04956 [4UT]
12	4404260419	FÜR: 04961 [3UT]
13	4404260418	FÜR: 04961 [3UT]
14	4404190324	FÜR: 04961
14	4404300910	FÜR: 04960
14	4404301004	FÜR: 04956, 04957, 04958, 04959
15	4404010025	FÜR: 04956
15	4404010026	FÜR: 04957, 04958
15	4404010027	FÜR: 04959
15	4404010048	FÜR: 04960
15	4404260401	FÜR: 04961
16	4404010040	FÜR: 04956
16	4404010088	FÜR: 04957
16	4404010089	FÜR: 04958
16	4404010090	FÜR: 04959
16	4404010091	FÜR: 04960
16	4404010093	FÜR: 04961
17	4404010094	FÜR: 04956
17	4404010095	FÜR: 04957
17	4404010096	FÜR: 04959
17	4404010097	FÜR: 04960
17	4404010223	FÜR: 04961
17	4404302114	FÜR: 04958
18	4404010099	FÜR: 04956
18	4404010100	FÜR: 04957
18	4404010110	FÜR: 04959
18	4404010111	FÜR: 04960
18	4404010225	FÜR: 04958
18	4404010226	FÜR: 04961
19	4404300607	FÜR: 04956
19	4404300707	FÜR: 04960
19	4404300903	FÜR: 04961
19	4404301003	FÜR: 04957, 04958, 04959

CODIGO **04956, 04957, 04958, 04959, 04960, 04961**

DESCRIÇÃO: **FILTROS UVE**



PORTUGUES

POS	CODIGO	DESCRIÇÃO	POS	CODIGO	DESCRIÇÃO
1	4404190101	MANÓMETRO 1/8" COMPLETO	11	* 4404300917	BRAÇO COLECTOR 1" 110 MM
2	4404010103	MANÓMETRO 1/8" 3 KG./CM	11	* 4404300915	BRAÇO COLECTOR 1" 175 MM
3	4404020102	TAMPA RÁPIDA COMPLETA	11	* 4404300916	BRAÇO COLECTOR 1" 225 MM
4	4404020111	JUNTA TAMPA	11	* 4404290109	BRAÇO COLECTOR 1" 265 M/M.
5	4404020108	ARO TAMPA COMPLETO	12	* 4404260419	BRAÇO COLECTOR 1" 100MM
6	4404020116	JUNTA TÓRICA 255X4	13	* 4404260418	RACCORD UNIÃO 1"
7	4404010108	PURGA AGUA 3/8"	14	* 4404301004	CONO DIFUSOR D. 50
8*	4404020112	JUNTA CÔNCAVA 1 1/2"	14	* 4404300910	CONO DIFUSOR D. 63
8*	4404020211	JUNTA CÔNCAVA 2"	14	* 4404190324	CONO DIFUSOR D. 75
8*	4404190112	JUNTA CÔNCAVA 2 1/2"	15	* 4404010025	CJTO. BRAÇO COLECTOR D. 400
9*	4404020103	RACORD 1 1/2' + JUNTA CONCAVA	15	* 4404010026	CJTO. BRAÇO COLECTOR D. 500
9*	4404020203	RACORD 2' + JUNTA	15	* 4404010027	CJTO. BRAÇO COLECTOR D.650
9*	4404290108	RACORD DE SAIDA 2 1/2" + JUNTA TÓRICA	15	* 4404010048	CJTO. BRAÇO COLECTOR D. 750

*** -> VEJA A FICHA DE OBSERVAÇÕES**

CODIGO **04956, 04957, 04958, 04959, 04960, 04961**

DESCRIÇÃO: **FILTROS UVE**

10	4404040108	PURGA AREIA	15	* 4404260401	CJTO. BRAÇO COLECTOR D.950-1050
16	* 4404010040	PÉ FILTRO D. 350	17	* 4404010223	CJTO. DIFUSOR D. 950
16	* 4404010088	PÉ FILTRO D. 450	18	* 4404010099	CJTO. COLECTOR D. 350
16	* 4404010089	PÉ FILTRO D. 500	18	* 4404010100	CJTO. COLECTOR D. 450
16	* 4404010090	PÉ FILTRO D. 650	18	* 4404010225	CJTO. COLECTOR D. 500
16	* 4404010091	PÉ FILTRO D. 800	18	* 4404010110	CJTO. COLECTOR D. 650
16	* 4404010093	PÉ FILTRO D. 950	18	* 4404010111	CJTO. COLECTOR D. 800
17	* 4404010094	CJTO. DIFUSOR D. 350	18	* 4404010226	CJTO. COLECTOR D. 950
17	* 4404010095	CJTO. DIFUSOR D. 450	19	* 4404300607	TUBO PVC RÍGIDO L-525
17	* 4404302114	CJTO. DIFUSOR 500	19	* 4404301003	PURGA AR + TUBO L=670
17	* 4404010096	CJTO. DIFUSOR D. 650	19	* 4404300707	TUBO RÍGIDO L-845
17	* 4404010097	CJTO. DIFUSOR D. 800	19	* 4404300903	TUBO PVC RÍGIDO L, 1120 MM

CODIGO 04956, 04957, 04958, 04959, 04960, 04961

DESCRIÇÃO: FILTROS UVE

OBSERVAÇÕES

POS	CODIGO	OBSERVAÇÕES
8	4404020112	PARA: 04956, 04957, 04958, 04959
8	4404020211	PARA: 04960
8	4404190112	PARA: 04961
9	4404020103	PARA: 04956, 04957, 04958, 04959
9	4404020203	PARA: 04960
9	4404290108	PARA: 04961
11	4404290109	PARA: 04960 [6UT]
11	4404300915	PARA: 04957 [4UT], 04958 [4UT]
11	4404300916	PARA: 04959 [4UT], 04961 [6UT]
11	4404300917	PARA: 04956 [4UT]
12	4404260419	PARA: 04961 [3UT]
13	4404260418	PARA: 04961 [3UT]
14	4404190324	PARA: 04961
14	4404300910	PARA: 04960
14	4404301004	PARA: 04956, 04957, 04958, 04959
15	4404010025	PARA: 04956
15	4404010026	PARA: 04957, 04958
15	4404010027	PARA: 04959
15	4404010048	PARA: 04960
15	4404260401	PARA: 04961
16	4404010040	PARA: 04956
16	4404010088	PARA: 04957
16	4404010089	PARA: 04958
16	4404010090	PARA: 04959
16	4404010091	PARA: 04960
16	4404010093	PARA: 04961
17	4404010094	PARA: 04956
17	4404010095	PARA: 04957
17	4404010096	PARA: 04959
17	4404010097	PARA: 04960
17	4404010223	PARA: 04961
17	4404302114	PARA: 04958
18	4404010099	PARA: 04956
18	4404010100	PARA: 04957
18	4404010110	PARA: 04959
18	4404010111	PARA: 04960
18	4404010225	PARA: 04958
18	4404010226	PARA: 04961
19	4404300607	PARA: 04956
19	4404300707	PARA: 04960
19	4404300903	PARA: 04961
19	4404301003	PARA: 04957, 04958, 04959