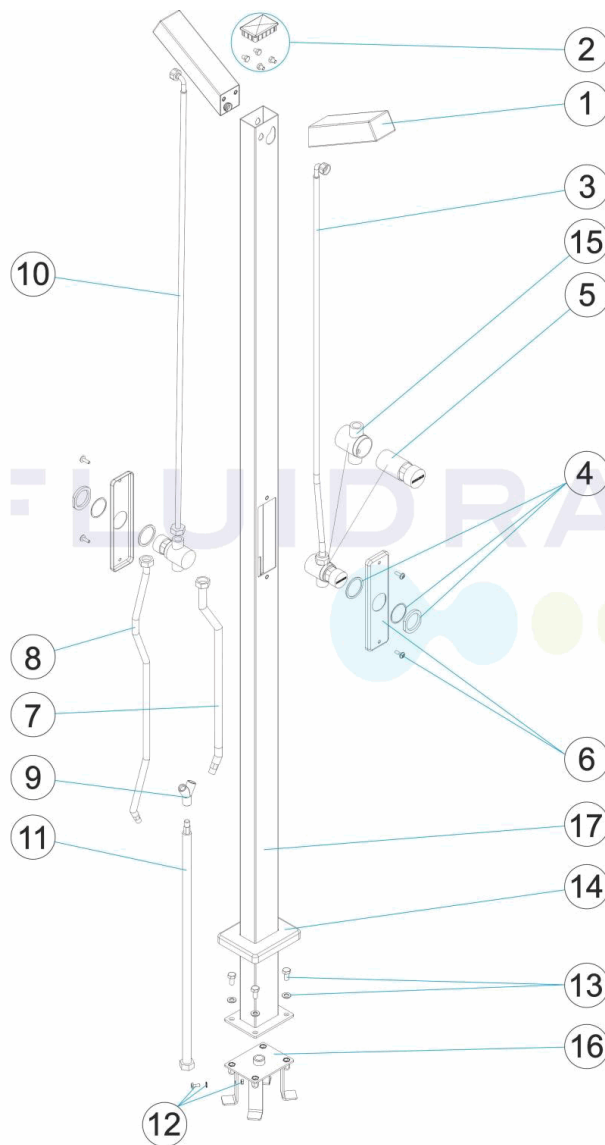


CODIGO **59778**

DESCRIPCION: **DUCHA 2 ROCIADORES 2 PULSADORES TEMPORIZADOS**

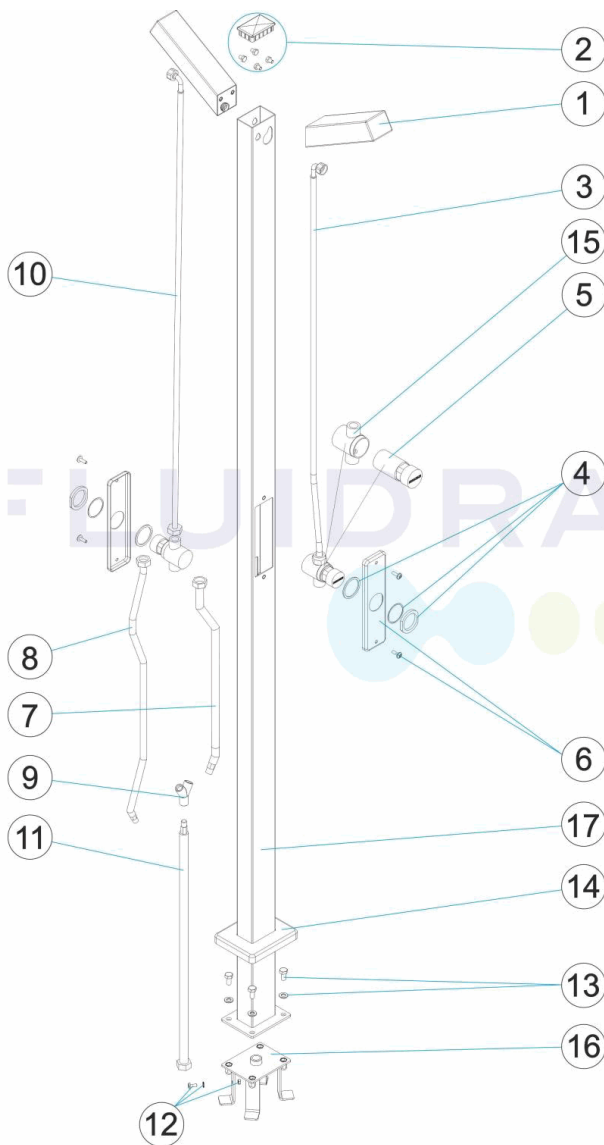


ESPAÑOL

POS	CODIGO	DESCRIPCION	POS	CODIGO	DESCRIPCION
1	4401040235	ROCIADOR ABS CROMADO	10	4401040255	LATIGUILLO 3/8" H - 1/2" H L=1025"
2	4401040254	TAPON DUCHA	11	4401040253	LATIGUILLO 1/2" H - M10 M L-510"
3	4401040248	LATIGUILLO 3/8" H - 1/2" H L=875"	12	4402010056	TOMA TIERRA
4	4401040238	CJTO. FIJACION CUERPO PULSADOR	13	4401041307	TORNILLERIA ANCLAJE DUCHA
5	4401040239	PULSADOR TEMPORIZADOR	14	4401040242	TAPETA EMBELLECEDORA
6	4401040240	FRONTAL PULSADOR	15	4401040244	CUERPO PULSADOR
7	4401040097	LATIGUILLO 1/2" H LOCA M-10 M. L=400"	16	59776R0200	ANCLAJE DUCHA
8	4401040146	LATIGUILLO 1/2" HEMBRA +M10 MACHO L=550 M "	17	59778R0100	CUERPO DUCHA
9	4401043615	CONEXIÓN "Y" M-10 HEMBR "			

CODE 59778

DESCRIPTION: DOUCHE 2 POMMEAU 2 BOUTON TEMPORISÉ

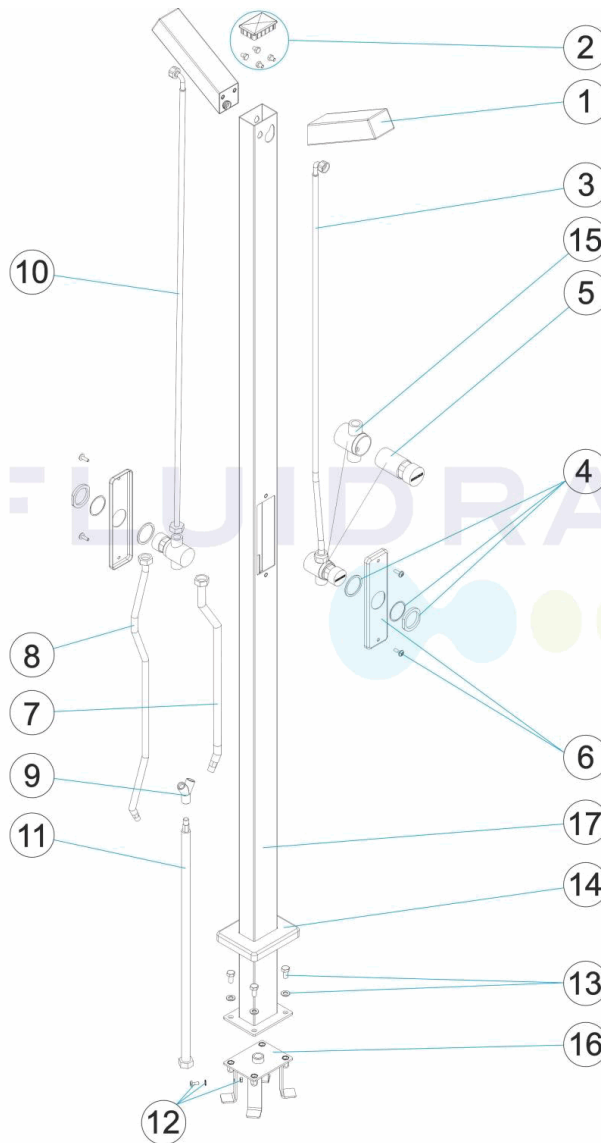


FRANCAIS

POS	CODE	DESCRIPTION	POS	CODE	DESCRIPTION
1	4401040235	POMME DE DOUCHE ABS	10	4401040255	TUYAU 3/8" H - 1/2" H L=1025"
2	4401040254	BOUCHON DOUCHE	11	4401040253	TUYAU 1/2" H - M10 M L=510"
3	4401040248	TUYAU 3/8" H - 1/2" H L=875"	12	4402010056	PRISE DE TERRE
4	4401040238	ENSEMBLE FIXATION CORPS BOUTON-POUSOIR	13	4401041307	VISSERIE ANCRAGE DOUCHE
5	4401040239	BOUTON POUSSOIR TEMPORISATEUR	14	4401040242	ENJOLIVEUR
6	4401040240	FRONTAL BOUTON-POUSOIR	15	4401040244	CORPS BOUTON-POUSOIR
7	4401040097	FLEXIBLE 1/2" H LOCA M-10 M. L=400"	16	59776R0200	ANCRAGE DOUCHE
8	4401040146	TUYAU 1/2" FEMELLE + M-10 MÂLE L=550 M "	17	59778R0100	CORPS DOUCHE
9	4401043615	RACCORD "Y" M-10 FEMELL "			

CODE **59778**

DESCRIPTION: **SHOWER 2 SPRINKLER 2 TIMING SWITCH**

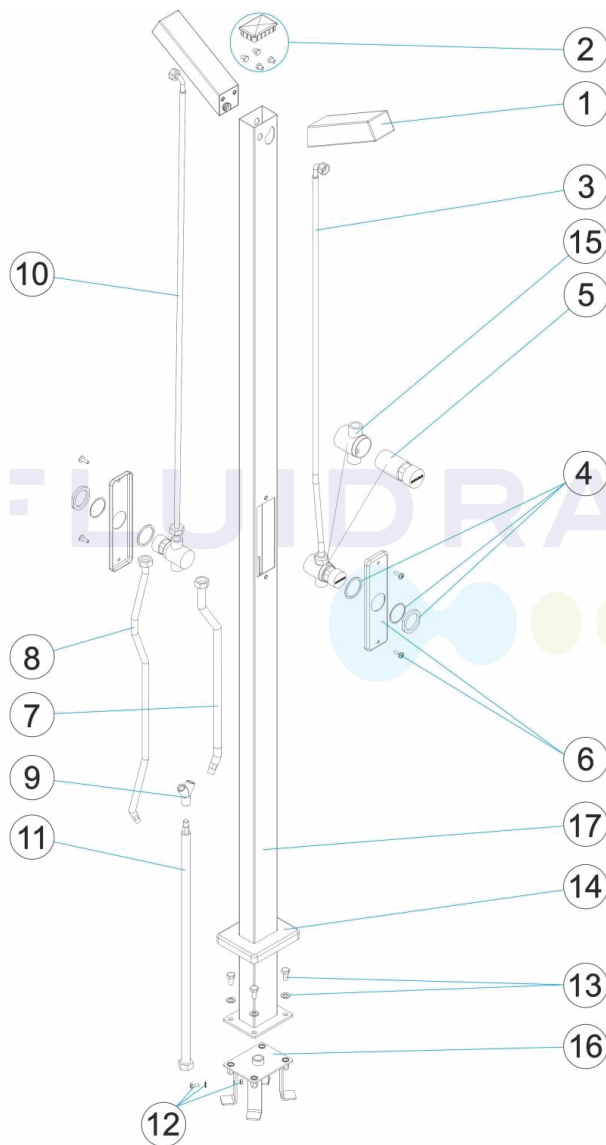


ENGLISH

POS	CODE	DESCRIPTION	POS	CODE	DESCRIPTION
1	4401040235	SPRINKLER ABS	10	4401040255	3/8" H - 1/2" H L=1025 FLEX "
2	4401040254	SHOWER CAP	11	4401040253	1/2" H - M10 M L-510 FLEX "
3	4401040248	3/8" H - 1/2" H L=875 FLEX "	12	4402010056	EARTH CONNECTION
4	4401040238	BUTTON BODY FIXING SET	13	4401041307	SHOWER ANCHOR BOLTS
5	4401040239	TIMING SWITCH	14	4401040242	ESCUTCHEON
6	4401040240	BUTTON FRONT	15	4401040244	SWITCH BODY
7	4401040097	1/2" H LOCA M-10 M. L=400 CABL "	16	59776R0200	SHOWER ANCHOR
8	4401040146	FLEXIBLE HOSE 1/2" FEMALE + M-10 MALE L=550 M	17	59778R0100	SHOWER UNIT
9	4401043615	Y" CONNECTOR M-10 FEMAL "			

CODICE **59778**

DESCRIZIONE: **DOCCIA 2 SOFFIONE 2 PULSANTE TEMPORIZZATO**

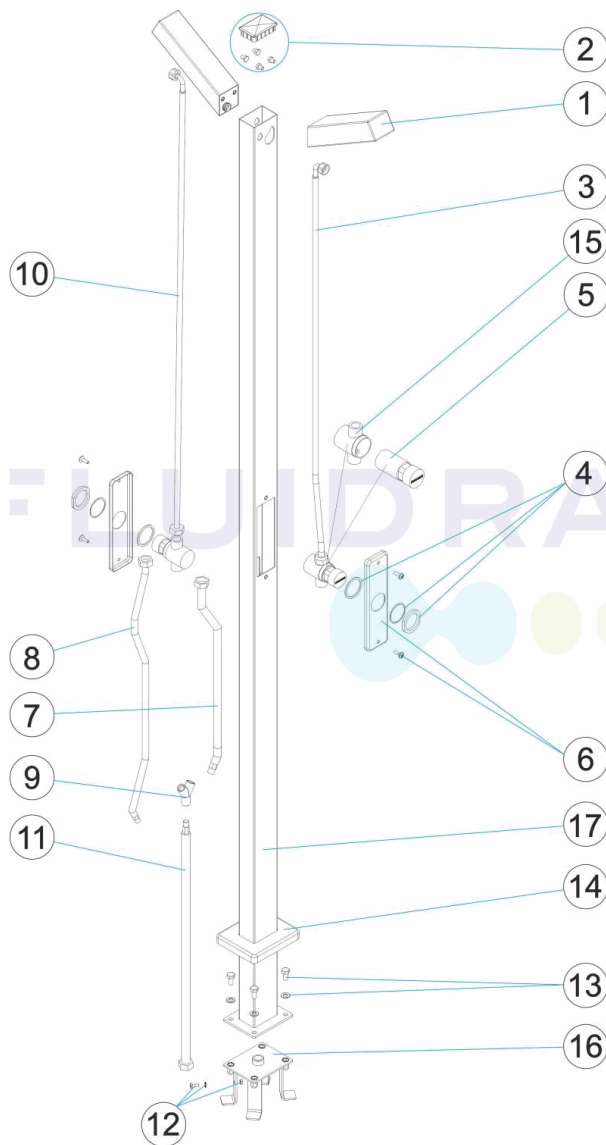


ITALIANO

POS	CODICE	DESCRIZIONE	POS	CODICE	DESCRIZIONE
1	4401040235	SPRUZZATORE ABS	10	4401040255	SPINOTTO 3/8" H - 1/2" H L=1025"
2	4401040254	TAPPO DOCCIA	11	4401040253	SPINOTTO 1/2" H - M10 M L=510"
3	4401040248	SPINOTTO 3/8" H - 1/2" H L=875"	12	4402010056	PRESA A TERRA
4	4401040238	SET FISSAGGIO CORPO PULSANTE	13	4401041307	BULLONERIA ANCORAGGIO DOCCIA
5	4401040239	PULSANTE TEMPORIZZATO	14	4401040242	COPRIFLANGIA ANCORAGGIO
6	4401040240	FRONTALE PULSANTE	15	4401040244	CORPO PULSANTE PULSANTE
7	4401040097	CAVETTO 1/2" H LOCA M-10 M. L=400"	16	59776R0200	ANCORAGGIO DOCCIA
8	4401040146	SPINOTTO 1/2" FEMMINA + M-10 MASCHIO L=550 M	17	59778R0100	CORPO DOCCIA
9	4401043615	CONNESSIONE "Y" M-10 FEMMIN "			

CODE 59778

BESCHREIBUNG: DUSCHE 2 DUSCHKÖPFE 2 REGELDRUCKKNÖPFE

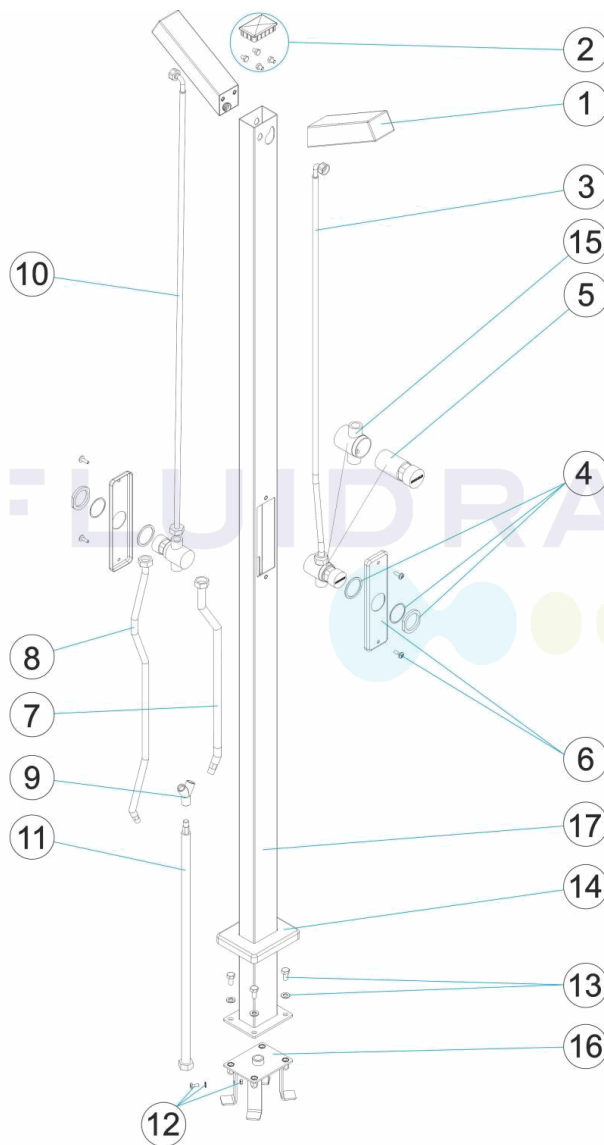


DEUTSCH

POS	CODE	BESCHREIBUNG	POS	CODE	BESCHREIBUNG
1	4401040235	DUSCHKOPF ABS VERCHROMT	10	4401040255	SCHLAUCHLEITUNG 3/8" MUFFE - 1/2" MUFFE L=100
2	4401040254	STOPFEN DUSCHE	11	4401040253	SCHLAUCHLEITUNG 1/2" MUFFE - M-10 NIPPEL L=100
3	4401040248	SCHLAUCHLEITUNG 3/8" MUFFE - 1/2" MUFFE L=87	12	4402010056	ERDUNG
4	4401040238	FIXIERSET DRUCKTASTERGEHÄUSE	13	4401041307	SCHRAUBENSATZ DUSCHVERANKERUNG
5	4401040239	REGLERKNOPF	14	4401040242	DEKO-ABSCHLUSSRING
6	4401040240	STIRN DRUCKTASTER	15	4401040244	GEHÄUSE DRUCKTASTER
7	4401040097	SCHLAUCHLEITUNG 1/2" GEWINDEKÖRPER MUFFE	16	59776R0200	DUSCHVERANKERUNG
8	4401040146	SCHLAUCHLEITUNG 1/2" MUFFE UND M10 NIPPEL L=100	17	59778R0100	DUSCHEINHEIT
9	4401043615	ANSCHLUSSMUFFE "Y" M-10"			

CODIGO **59778**

DESCRIÇÃO: **DUCHE 2 DIFUSOR E 2 BOTÃO TEMPORIZADO**



PORTUGUES

POS	CODIGO	DESCRIÇÃO	POS	CODIGO	DESCRIÇÃO
1	4401040235	DIFUSOR ABS	10	4401040255	MANGA 3/8" H - 1/2" H L=1025"
2	4401040254	TAMPAO DUCHE	11	4401040253	MANGA 1/2" H - M10 M L-510"
3	4401040248	MANGA 3/8" H - 1/2" H L=875"	12	4402010056	LIGAÇÃO A TERRA
4	4401040238	CJTO. FIXAÇÃO CORPO BOTÃO	13	4401041307	PARAFUSOS ANCORAGEM CHUVEIRO
5	4401040239	BOTÃO TEMPORIZADO	14	4401040242	ESPELHO
6	4401040240	FRONTAL BOTÃO	15	4401040244	CORPO BOTÃO
7	4401040097	MANGA 1/2" H LOCA M-10 M. L=400"	16	59776R0200	ÂNCORA PARA CHUVEIRO
8	4401040146	MANGA 1/2" FÊMEA + M-10 MACHO L=550 M "	17	59778R0100	CORPO DE CHUVEIRO
9	4401043615	LIGAÇÃO "Y" M-10 FÊME "			