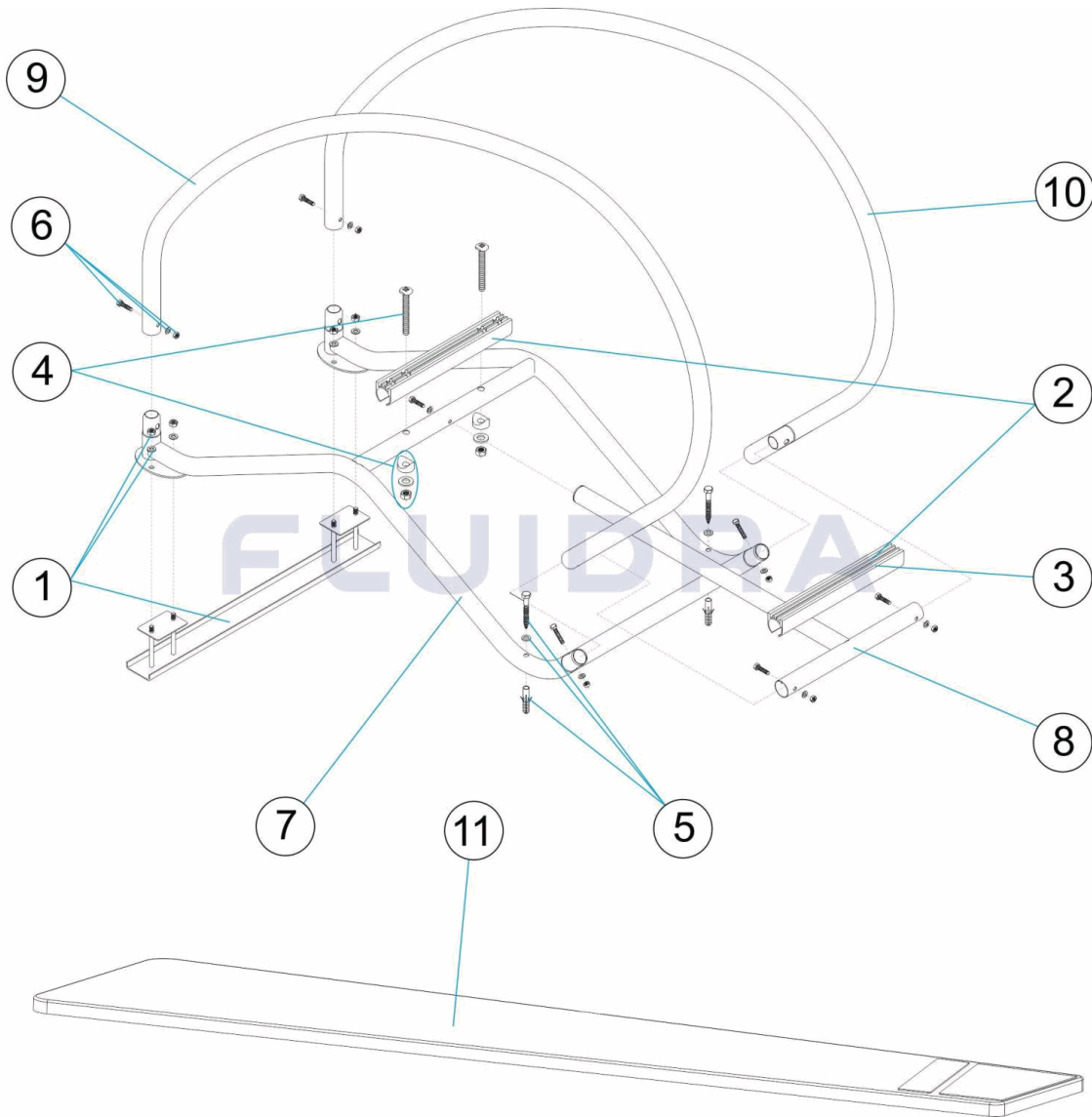


CODIGO **23199, 23200**

DESCRIPCION: **PALANCA DYNAMIC**



ESPAÑOL

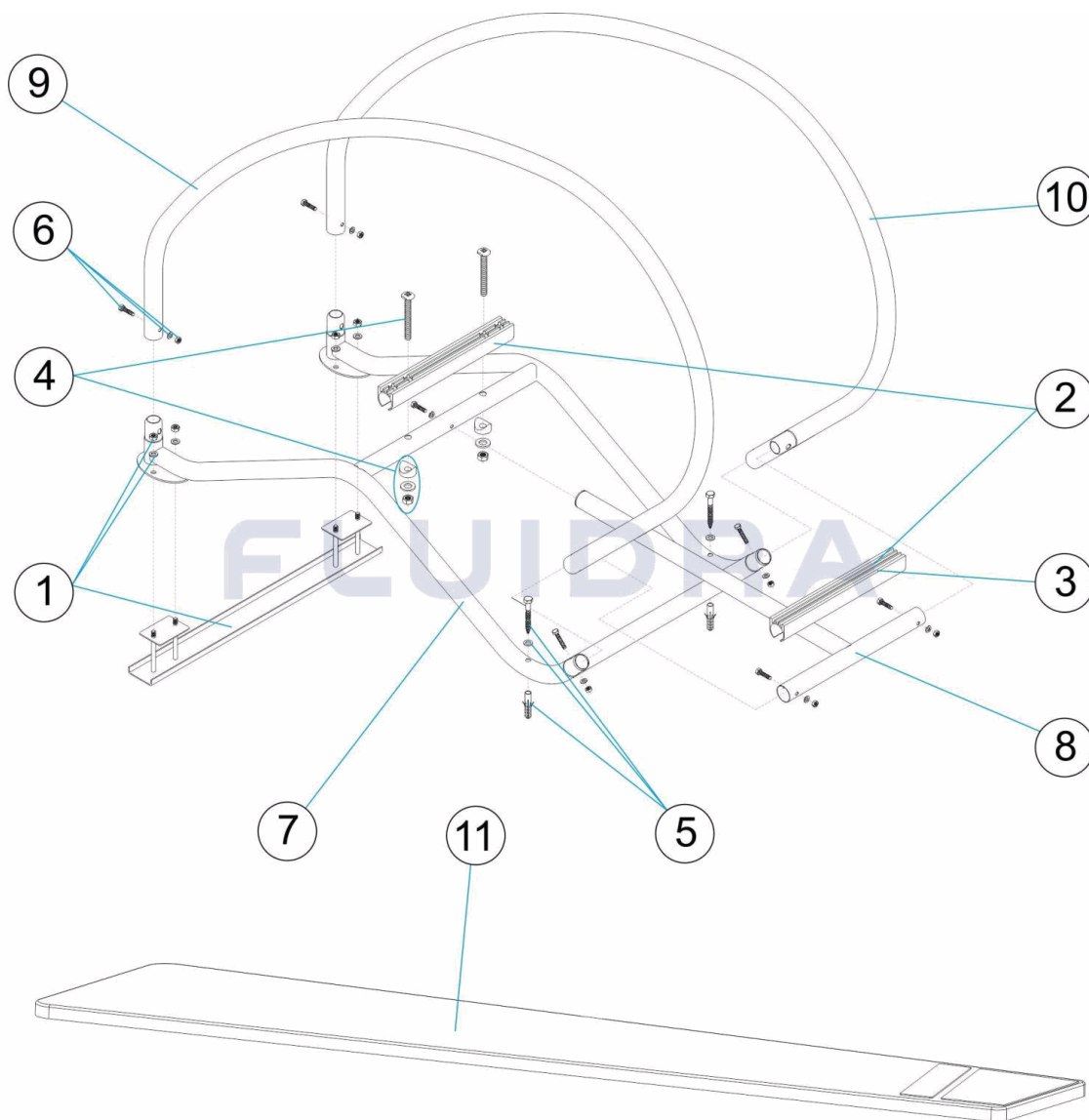
POS	CODIGO	DESCRIPCION	POS	CODIGO	DESCRIPCION
1	4401021401	ANCLAJE PALANCA DYNAMIC	7	18541R0500	BASE PALANCA
2	4401020701	ASIENTOS PALANCA	8	18541R0510	TRAVESAÑO ESTRUCTURA BASE PALANCA
3	4401020108	ASIENTO DELANTERO (GOMA)	9	18541R0200	BARANDILLA DERECHA PALANCA
4	4401021406	FIJACION TRASERA PALANCA	10	18541R0300	BARANDILLA IZQUIERDA PALANCA
5	4401021405	ANCLAJE BASE PALANCA	11	* 23199-1000	PLATAFORMA DINAMIC 2 M.
6	4401021403	TORNILLERIA FIJACION BARANDILLA	11	* 23200-1000	PLATAFORMA DINAMIC 2 .3M.

CODIGO **23199, 23200**DESCRIPCION: **PALANCA DYNAMIC****OBSERVACIONES**

POS	CODIGO	OBSERVACIONES
11	23199-1000	PARA: 23199
11	23200-1000	PARA: 23200

CODE **23199, 23200**

DESCRIPTION: **PLANCHE DYNAMIC**



FRANCAIS

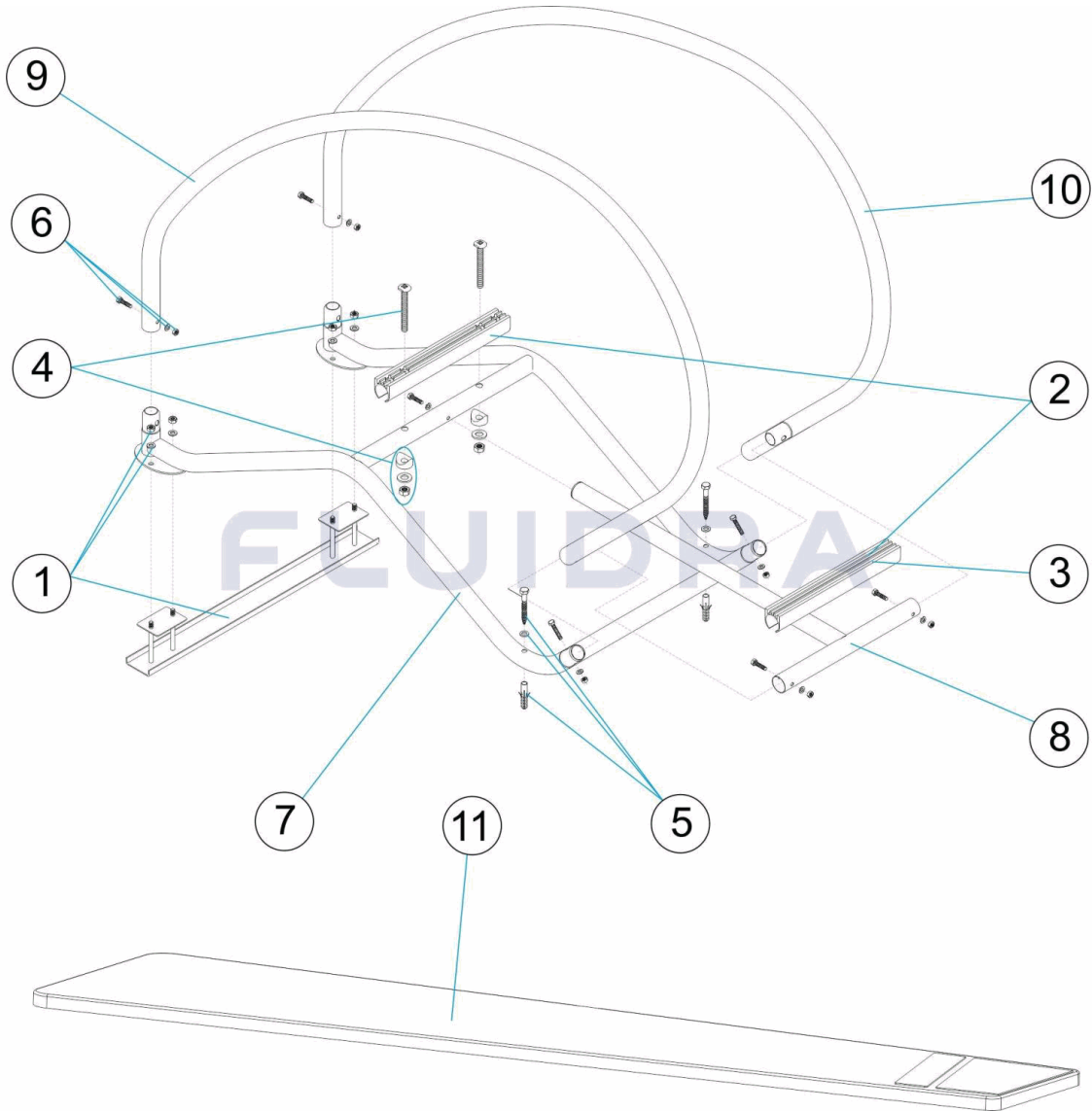
POS	CODE	DESCRIPTION	POS	CODE	DESCRIPTION
1	4401021401	ANCRAGE PLONGEOIR DYNAMIC	7	18541R0500	SUPPORT PLONGEOIR
2	4401020701	ENSEMBLE PATINS CAOUTCHOUC	8	18541R0510	TRaverse STRUCTURE SUPPORT PLONGEOIR
3	4401020108	SUPPORT AVANT CAOUTCHOUC	9	18541R0200	RAMPE COTE DROIT PLONGEOIR
4	4401021406	FIXATION ARRIERE PLANCHE	10	18541R0300	RAMPE COTE GAUCHE PLONGEOIR
5	4401021405	ANCRAGE POUR COLONNE	11	* 23199-1000	PLANCHE SEULE DYNAMIC 2M
6	4401021403	VISSERIE DE FIXATION DE LA RAMPE	11	* 23200-1000	PLANCHE SEULE DYNAMIC 2,3M

CODE **23199, 23200**DESCRIPTION: **PLANCHE DYNAMIC****OBSERVATIONS**

POS	CODE	OBSERVATIONS
11	23199-1000	POUR: 23199
11	23200-1000	POUR: 23200

CODE **23199, 23200**

DESCRIPTION: **DYNAMIC SPRINGBOARD**



ENGLISH

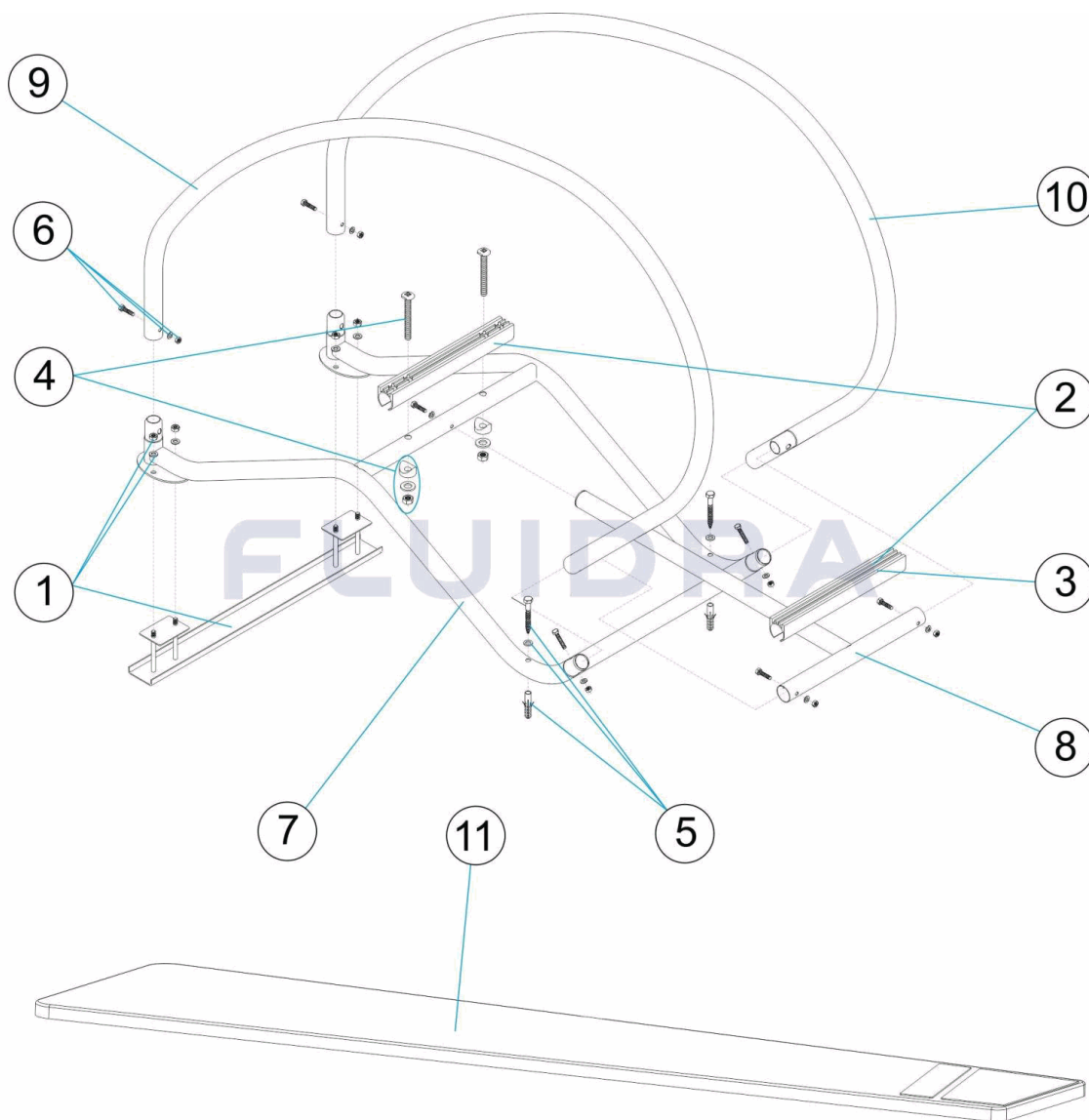
POS	CODE	DESCRIPTION	POS	CODE	DESCRIPTION
1	4401021401	ANCHOR FOR DYNAMIC BOARD	7	18541R0500	BOARD BASE
2	4401020701	SUPPORTS	8	18541R0510	BOARD CROSS PIECE BASE STRUCTURE
3	4401020108	FRONT SUPPORT	9	18541R0200	BOARD RIGHT HANDRAIL
4	4401021406	REAR FIXINGS	10	18541R0300	BOARD LEFT HANDRAIL
5	4401021405	ANCHOR	11	* 23199-1000	2 M DYNAMIC PLATFORM
6	4401021403	HANDRAIL FIXINGS	11	* 23200-1000	2,3 M DYNAMIC PLATFORM

CODE **23199, 23200**DESCRIPTION: **DYNAMIC SPRINGBOARD****OBSERVATIONS**

POS	CODE	OBSERVATIONS
11	23199-1000	FOR: 23199
11	23200-1000	FOR: 23200

CODICE **23199, 23200**

DESCRIZIONE: **PEDANA DYNAMIC**



ITALIANO

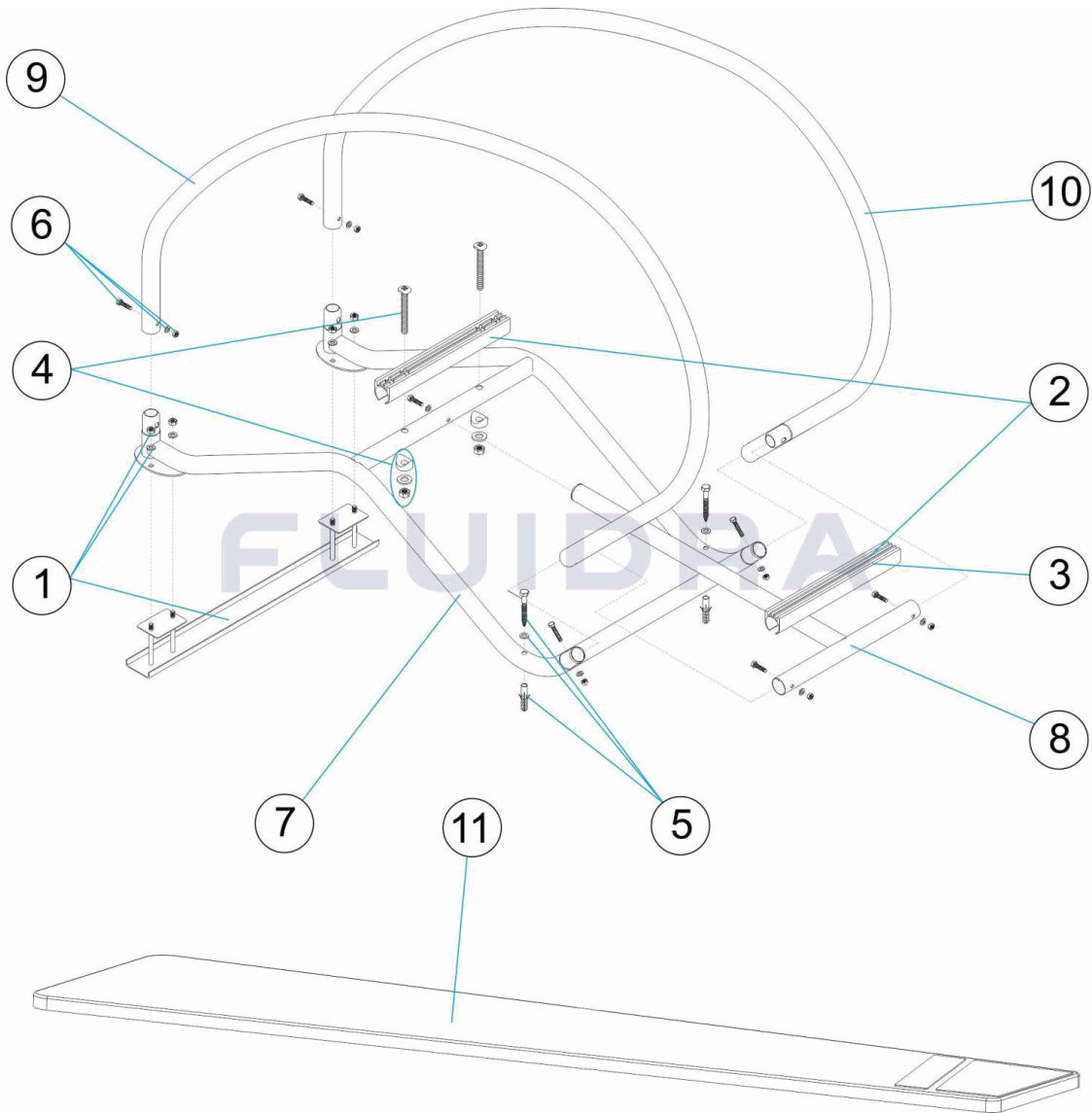
POS	CODICE	DESCRIZIONE	POS	CODICE	DESCRIZIONE
1	4401021401	ANCORAGGIO TAVOLA DYNAMIC	7	18541R0500	BASE TAVOLA
2	4401020701	KIT FULCRI TRAMPOLINO	8	18541R0510	TRAVERSA STRUTTURA BASE TAVOLA
3	4401020108	SEDUTA ANTERIORE (GOMMA)	9	18541R0200	MANIGLIONE DESTRO TAVOLA
4	4401021406	FISSAGGIO POSTERIORE TAVOLA	10	18541R0300	MANIGLIONE SINISTRO TAVOLA
5	4401021405	ANCORAGGIO BASE TAVOLA	11	* 23199-1000	TAVOLA DINAMIC 2M
6	4401021403	BULLONERIA FISSAGGIO PER RINGHIERA	11	* 23200-1000	TAVOLA DINAMIC 2,3M

CODICE **23199, 23200**DESCRIZIONE: **PEDANA DYNAMIC****OSSERVAZIONI**

POS	CODICE	OSSERVAZIONI
11	23199-1000	PER: 23199
11	23200-1000	PER: 23200

CODE **23199, 23200**

BESCHREIBUNG: **SPRUNGBRETT DYNAMIC**



DEUTSCH

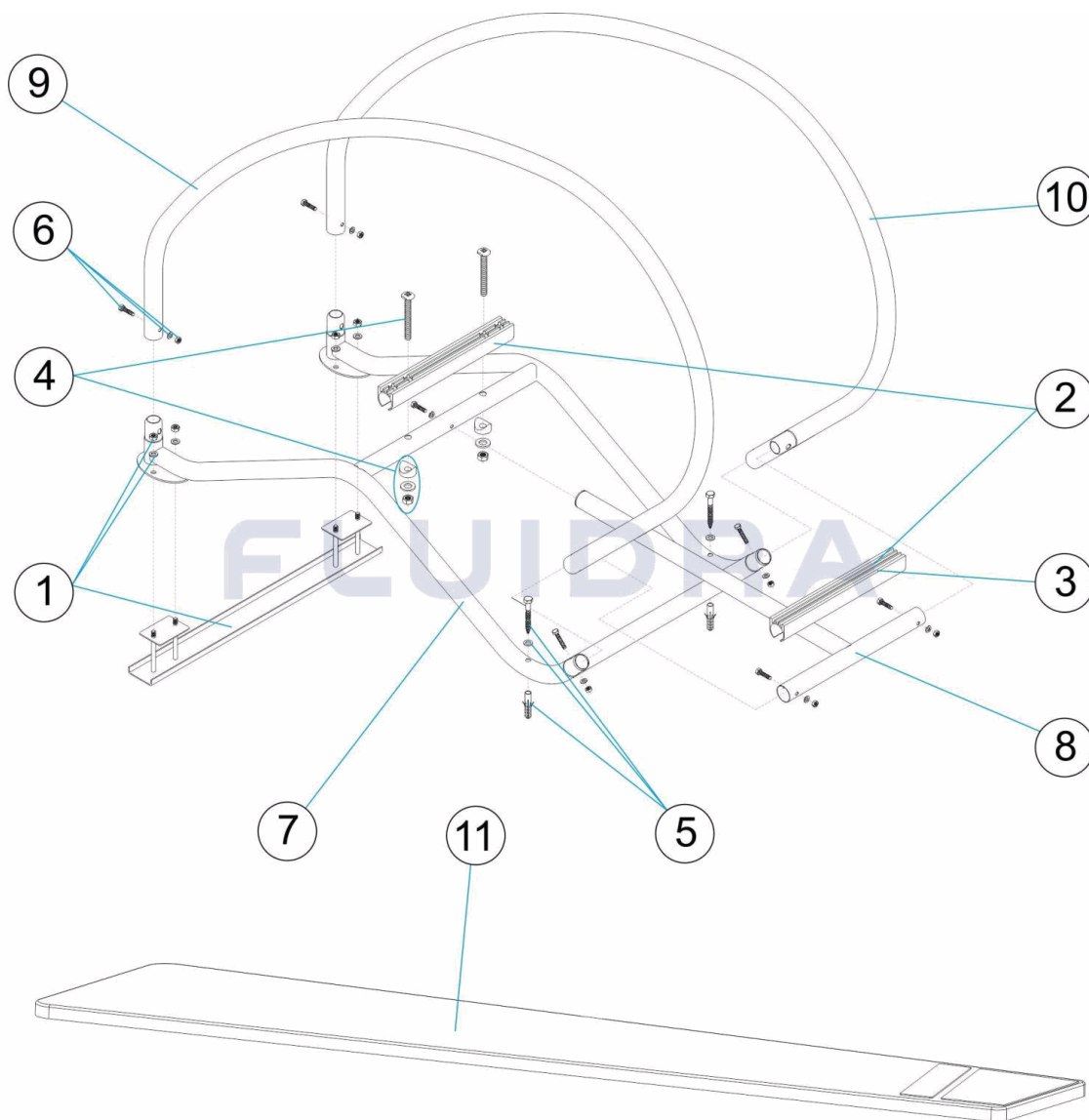
POS	CODE	BESCHREIBUNG	POS	CODE	BESCHREIBUNG
1	4401021401	VERANKERUNG SPRUNGBRETT DYNAMIC	7	18541R0500	BASIS SPRUNGBRETT
2	4401020701	SITZE SPRUNGBRETT	8	18541R0510	QUERTEIL STRUKTUR BASIS SPRUNGBRETT
3	4401020108	SITZ VORNE (GUMMI)	9	18541R0200	GELÄNDER RECHTS SPRUNGBRETT
4	4401021406	FIXIERUNG HINTEN SPRUNGBRETT	10	18541R0300	GELÄNDER LINKS SPRUNGBRETT
5	4401021405	VERANKERUNG SPRUNGBRETTBASIS	11	* 23199-1000	PLATTFORM DINAMIC 2 M
6	4401021403	FIXIERSCHRAUBEN GELÄNDER	11	* 23200-1000	PLATTFORM DINAMIC 2, 3 M

CODE **23199, 23200**BESCHREIBUNG: **SPRUNGBRETT DYNAMIC****HINWEISE**

POS	CODE	HINWEISE
11	23199-1000	FÜR: 23199
11	23200-1000	FÜR: 23200

CODIGO **23199, 23200**

DESCRIÇÃO: **PRANCHA DE SALTOS DYNAMIC**



PORTUGUES

POS	CODIGO	DESCRIÇÃO	POS	CODIGO	DESCRIÇÃO
1	4401021401	ÂNCORA PRANCHA DYNAMIC	7	18541R0500	BASE DA PRANCHA
2	4401020701	ASSENTO PRANCHA	8	18541R0510	TRAVESSA DA ESTRUTURA DA BASE DA PRANCH
3	4401020108	ASSENTAMENTO DIANTEIRO (BORRACHA)	9	18541R0200	CORRIMÃO DA DIREITA DA PRANCHA
4	4401021406	FIXAÇÃO PRANCHA TRASERA	10	18541R0300	CORRIMÃO DA ESQUERDA DA PRANCHA
5	4401021405	ÂNCORA BASE PRANCHA	11	* 23199-1000	PLATAFORMA DYNAMIC 2 M.
6	4401021403	CONJ. PARAFUSOS FIXAÇÃO CORRIMÃO	11	* 23200-1000	PLATAFORMA DYNAMIC 2 .3M.

CODIGO **23199, 23200**DESCRIÇÃO: **PRANCHA DE SALTOS DYNAMIC****OBSERVACÕES**

POS	CODIGO	OBSERVACÕES
11	23199-1000	PARA: 23199
11	23200-1000	PARA: 23200