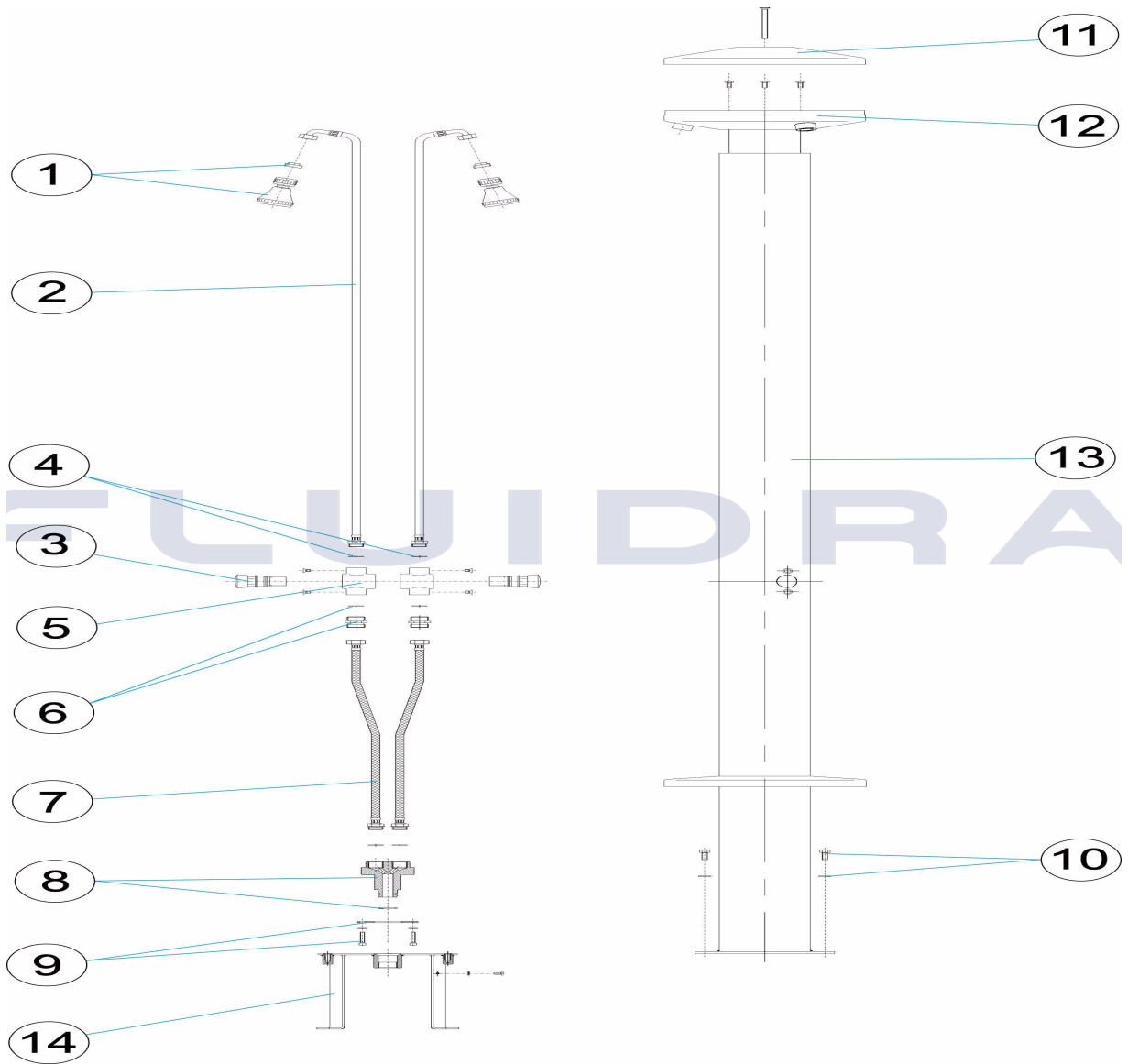


CODIGO **00097**

DESCRIPCION: **DUCHA 3 ROCIADORES 3 PULSADORES TEMPORIZADOS TUBO D. 129**

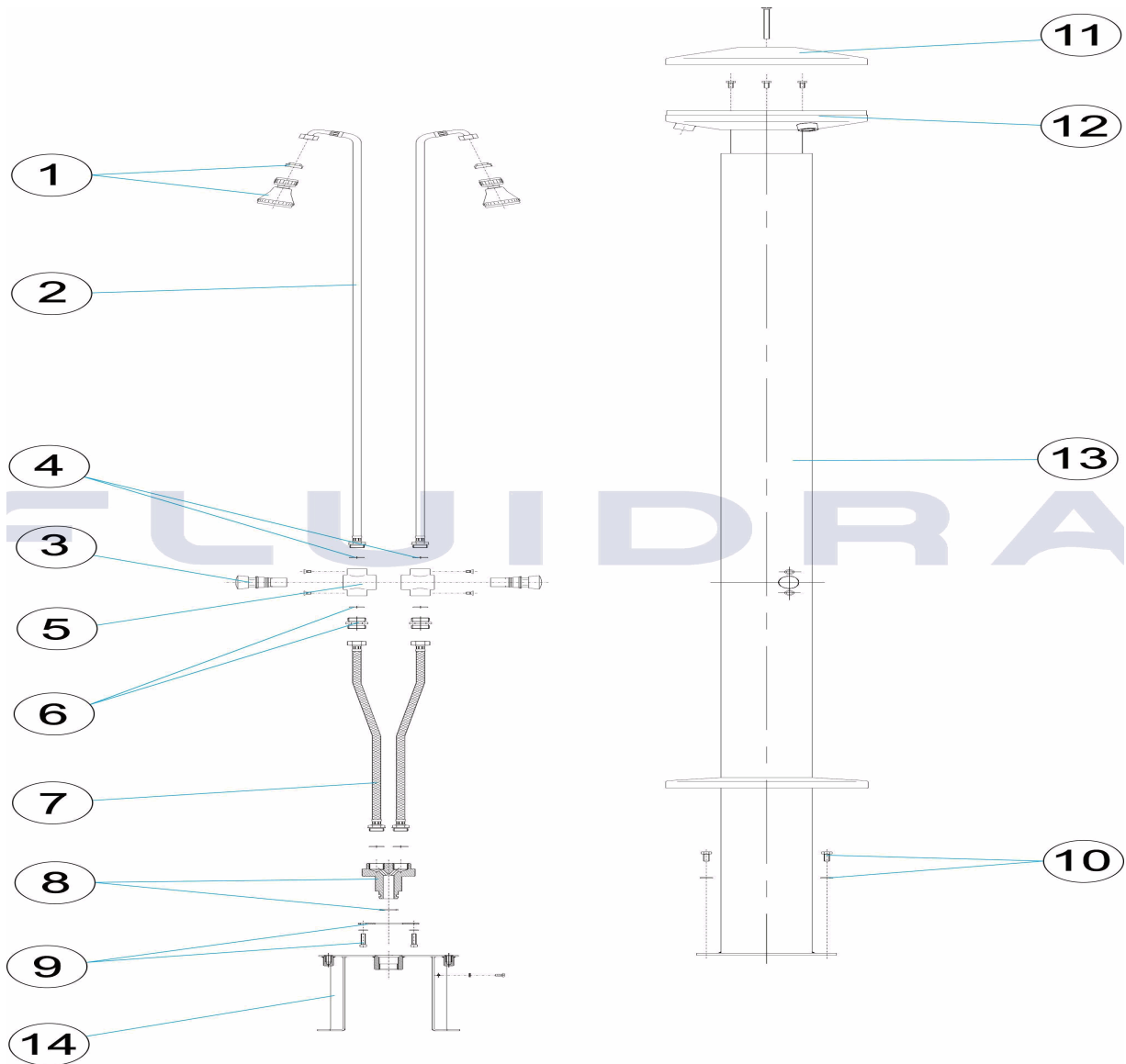


ESPAÑOL

POS	CODIGO	DESCRIPCION	CANTIDAD	POS	CODIGO	DESCRIPCION	CANTIDAD
1	4401040403	PIÑA DUCHA LATON		8	4401040246	COLECTOR 3 VÍAS	
2	4401040079	LATIGUILLO 1/2" H. CODO M VALONA L=14		9	4401040247	PLETINA SOPORTE COLECTOR	
3	4401040502	VALVULA TEMPORIZADORA		10	4401041605	TORNILLERIA ANCLAJE DUCHA	
4	4401040011	JUNTA PLANA		11	00094R0003	PLATO SUPERIOR DUCHA	
5	4401040501	CUERPO VALVULA TEMPORIZADORA		12	00097R0210	PLATO INFERIOR DUCHA	
6	4401040031	CONEXION SALIDA 1/2"		13	00097R0200	CUERPO DUCHA	
7	4401040245	LATIGUILLO 1/2" MV - 1/2 H L=1200"		14	00097R0100	CONJ. ANCLAJE DUCHA 00097	

CODE **00097**

DESCRIPTION: **DOUCHE 3 POMMEAUX ET 3 BOUTONS-POUSOIRS TEMP. TUBE D. 129**

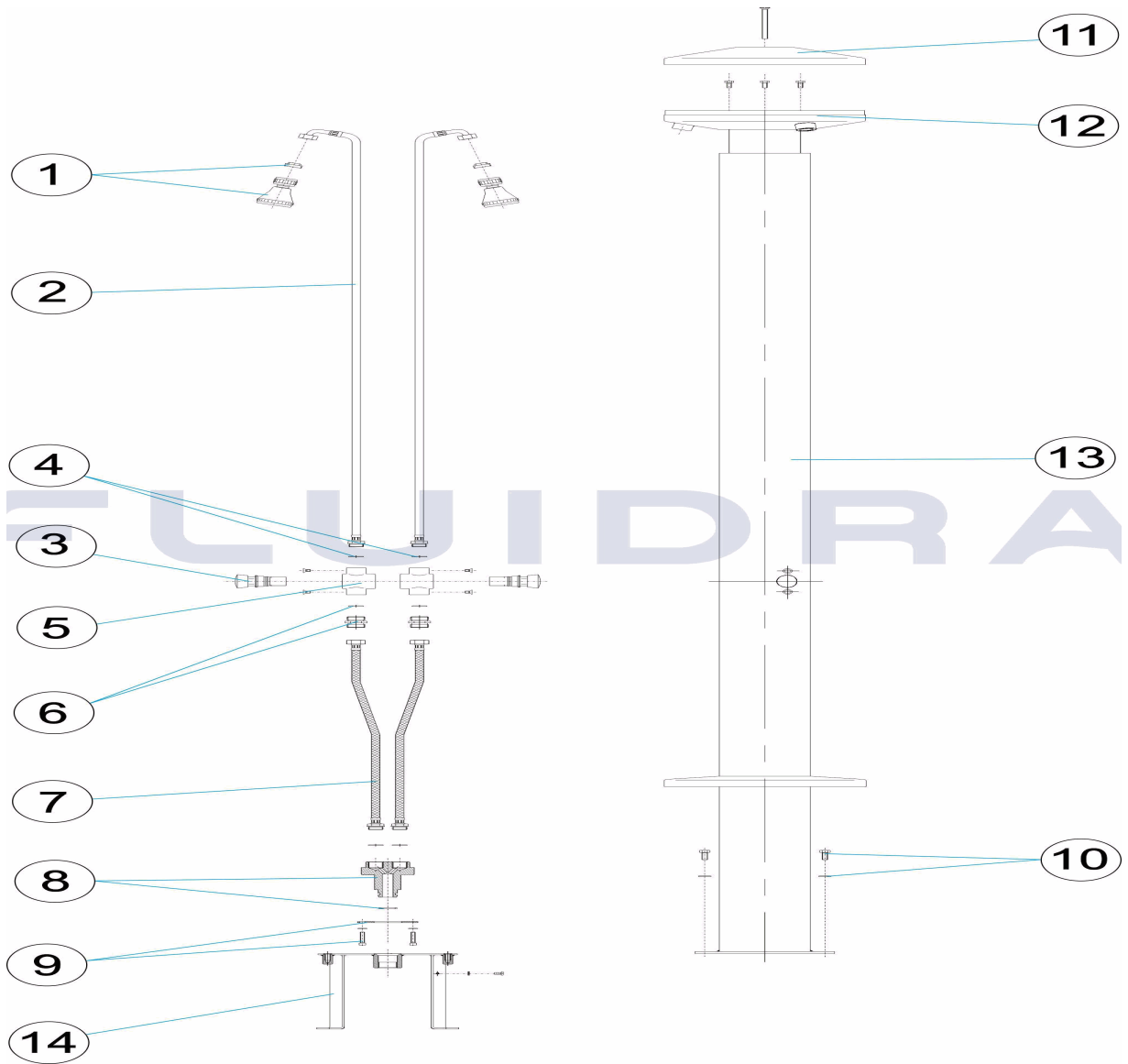


FRANCAIS

POS	CODE	DESCRIPTION	QUANTITE	POS	CODE	DESCRIPTION	QUANTITE
1	4401040403	POMMEAU DE DOUCHE LAITON		8	4401040246	MELANGEUR EAU CHAUDE/FROIDE	
2	4401040079	FLEXIBLE 1/2" H. CODO M V. L=1400 MM "		9	4401040247	PLATINE SUPPORT COLLECTEUR	
3	4401040502	BOUTON POUSSOIR		10	4401041605	VISSERIE ANCRAGE DOUCHE	
4	4401040011	JOINT PLAT		11	00094R0003	PLATEAU SUPÉRIEUR DOUCHE	
5	4401040501	TE ROBINET DE DOUCHE TEMPORISÉ		12	00097R0210	PLATEAU INFÉRIEUR DOUCHE	
6	4401040031	RACCORD SORTIE 1/2'		13	00097R0200	CORPS DE DOUCHE	
7	4401040245	TUYAU 1/2" MV - 1/2" H. L=1200"		14	00097R0100	ANCRAGE	

CODE **00097**

DESCRIPTION: **SHOWER 3 SHOWER HEADS 3 TIMER BUTTON D.129 PIPE**

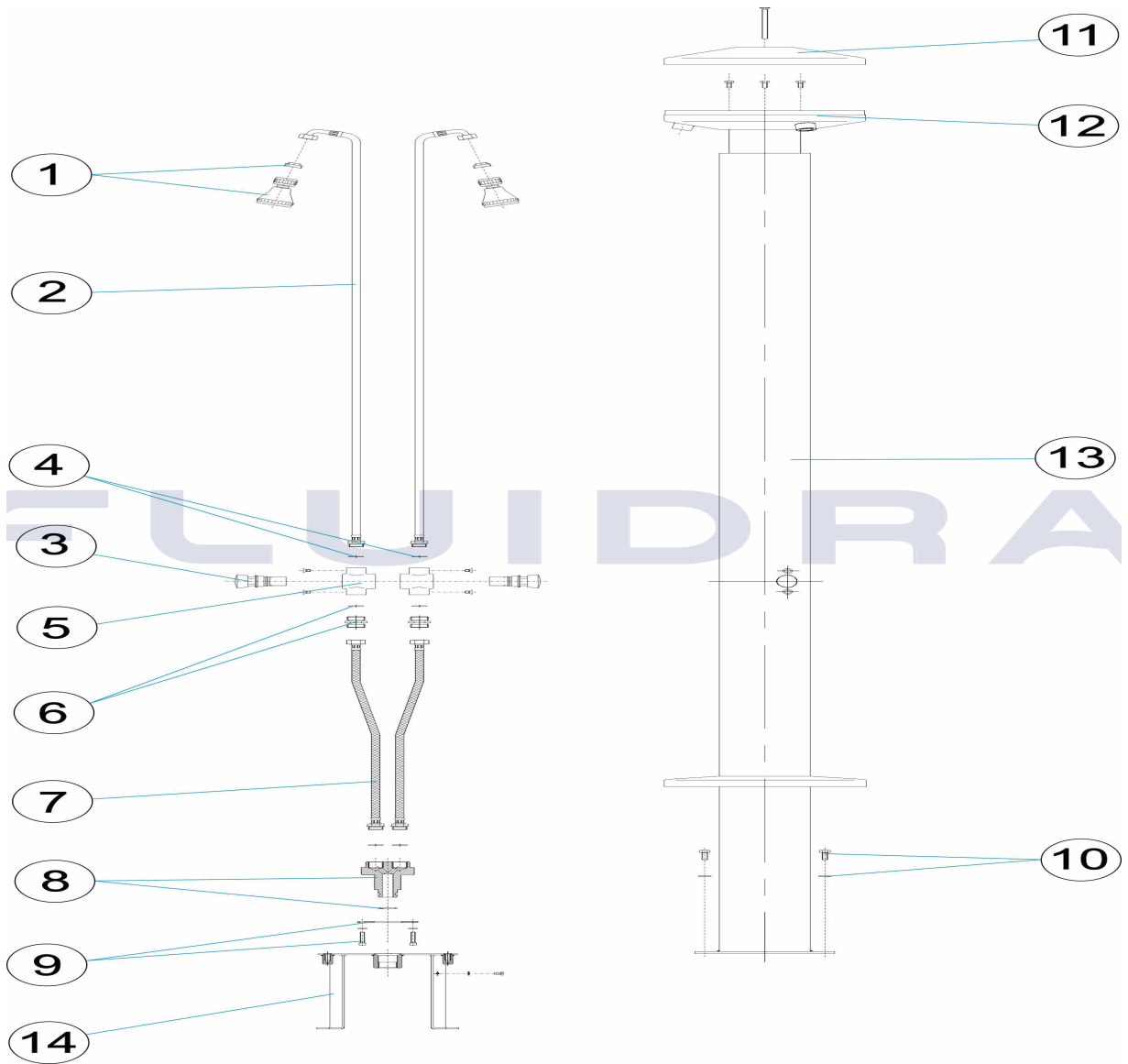


ENGLISH

POS	CODE	DESCRIPTION	QUANTITY	POS	CODE	DESCRIPTION	QUANTITY
1	4401040403	BRASS SHOWER HEAD		8	4401040246	3 WAY MANIFOLD	
2	4401040079	1/2" H. CODO M V. L=1400 MM. CABL "		9	4401040247	COLLECTOR SUPPORT FLANGE	
3	4401040502	TIMER VALVE		10	4401041605	SHOWER ANCHOR BOLTS	
4	4401040011	FLAT GASKET		11	00094R0003	SHOWER HEAD UPPER PART	
5	4401040501	TIMER VALVE BODY		12	00097R0210	SHOWER HEAD LOWER PART	
6	4401040031	1/2" OUTLET CONNECTIO "		13	00097R0200	SHOWER UNIT	
7	4401040245	1/2" MV - 1/2" H. L=1200 FLEX "		14	00097R0100	ANCHOR	

CODICE **00097**

DESCRIZIONE: **DOCCIA 3 SPRUZZATORI 3 PULSANTI TEMPORIZZATI TUBO D. 129**

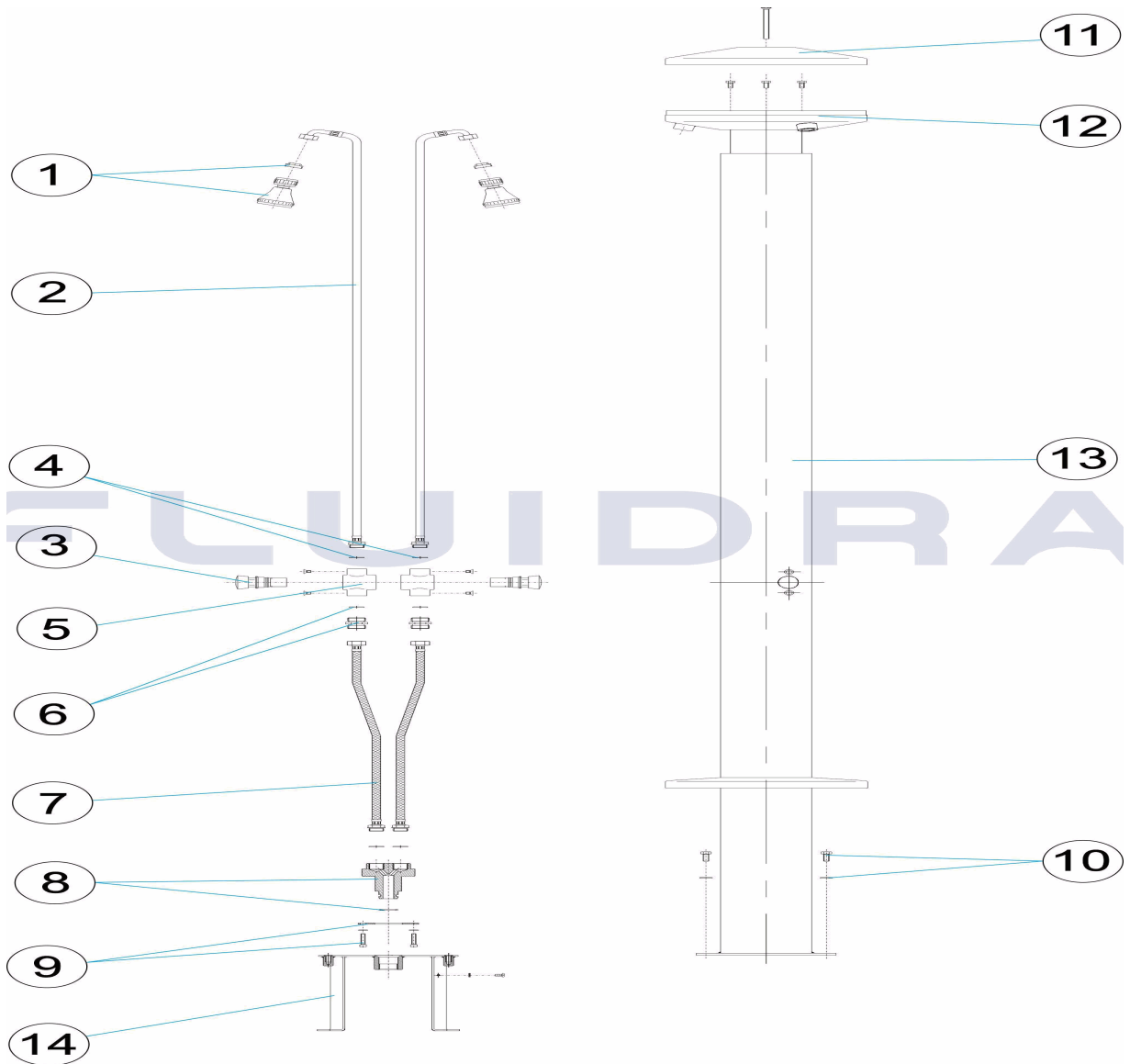


ITALIANO

POS	CODICE	DESCRIZIONE	QUANTITA'	POS	CODICE	DESCRIZIONE	QUANTITA'
1	4401040403	SOFFIONE DOCCIA OTTONE		8	4401040246	COLLETTORE 3 VI	
2	4401040079	CAVETTO 1/2" H. CODO M V. L=1400 MM "		9	4401040247	PIASTRINA SUPPORTO COLLETTORE	
3	4401040502	VALVOLA TEMPORIZZATA		10	4401041605	BULLONERIA ANCORAGGIO DOCCIA	
4	4401040011	GIUNTURA PIANA		11	00094R0003	PIATTO SUPERIORE DOCCIA	
5	4401040501	CORPO VALVOLA TEMPORIZZATA		12	00097R0210	PIATTO INFERIORE DOCCIA	
6	4401040031	CONNESSIONE D'USCITA 1/2"		13	00097R0200	CORPO DOCCIA	
7	4401040245	SPINOTTO 1/2" MV - 1/2" H. L=1200"		14	00097R0100	ANCORAGGIO DOCCIA 00097	

CODE **00097**

BESCHREIBUNG: **DUSCHE 3 DUSCHKÖPFE 3 REGELDRUCKKNÖPFE ROHR D. 129**

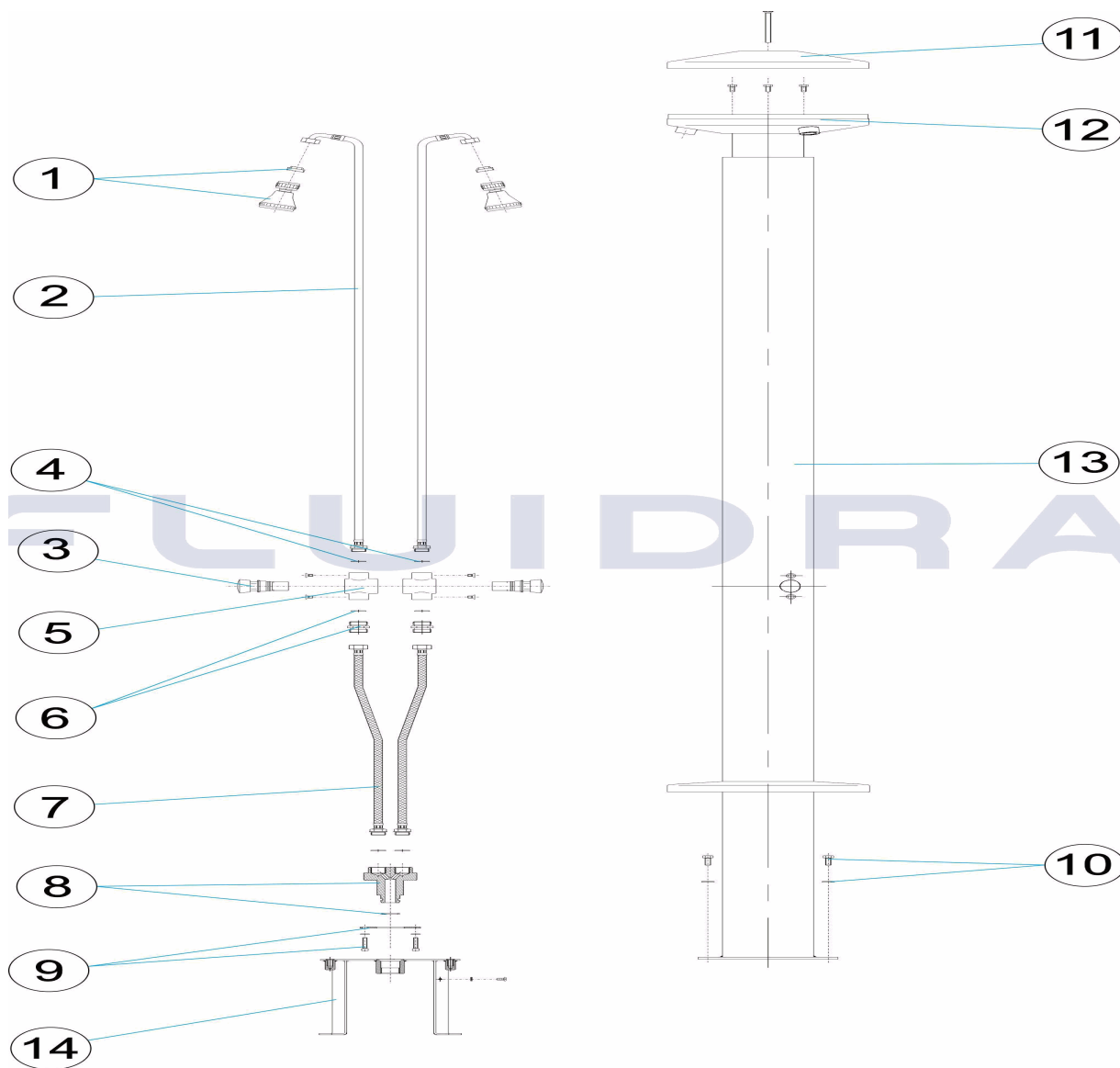


DEUTSCH

POS	CODE	BESCHREIBUNG	MENGE	POS	CODE	BESCHREIBUNG	MENGE
1	4401040403	DUSCHKOPF BLECH		8	4401040246	3-WEGE-SAMMELROHR	
2	4401040079	SCHLAUCHLEITUNG 1/2" MUFFE WINKEL F		9	4401040247	GRUNDPLATINE HALTERUNG SAMMELROH	
3	4401040502	REGLERVENTIL		10	4401041605	SCHRAUBENSATZ DUSCHVERANKERUNG	
4	4401040011	FLACHDICHTUNG		11	00094R0003	UNTERSCHALE	
5	4401040501	GEHÄUSE REGLERVENTIL		12	00097R0210	OBERSCHALE	
6	4401040031	ANSCHLUSS AUSGANG 1/2"		13	00097R0200	DUSCHHEINHEIT	
7	4401040245	SCHLAUCHLEITUNG 1/2" FLANSCHNIPPEL		14	00097R0100	SET DUSCHVERANKERUNG 00097	

CODIGO **00097**

DESCRIÇÃO: **DUCHE 3 DIFUSORES 3 TORNEIRAS TEMPORIZADAS TUBO D. 129**



PORTUGUES

POS	CODIGO	DESCRIÇÃO	JANTIDADE	POS	CODIGO	DESCRIÇÃO	JANTIDADE
1	4401040403	REGADOR LATÃO		8	4401040246	COLECTOR 3 VIAS	
2	4401040079	MANGA 1/2" H. CODO M V. L=1400 MM "		9	4401040247	BRAÇO SUPORTE COLECTOR	
3	4401040502	VÁLVULA TEMPORIZADA		10	4401041605	PARAFUSOS ANCORAGEM CHUVEIRO	
4	4401040011	BUCHA BORRACHA		11	00094R0003	PRATO SUPERIOR DE CHUVEIRO	
5	4401040501	CORPO VÁLVULA TEMPORIZADORA		12	00097R0210	PRATO INFERIOR DE CHUVEIRO	
6	4401040031	CONEXÃO SAÍDA 1/2"		13	00097R0200	CORPO DE CHUVEIRO	
7	4401040245	MANGA 1/2" MV - 1/2" H. L=1200"		14	00097R0100	CONJUNTO DE ÂNCORAS DE CHUVEIRO 01	