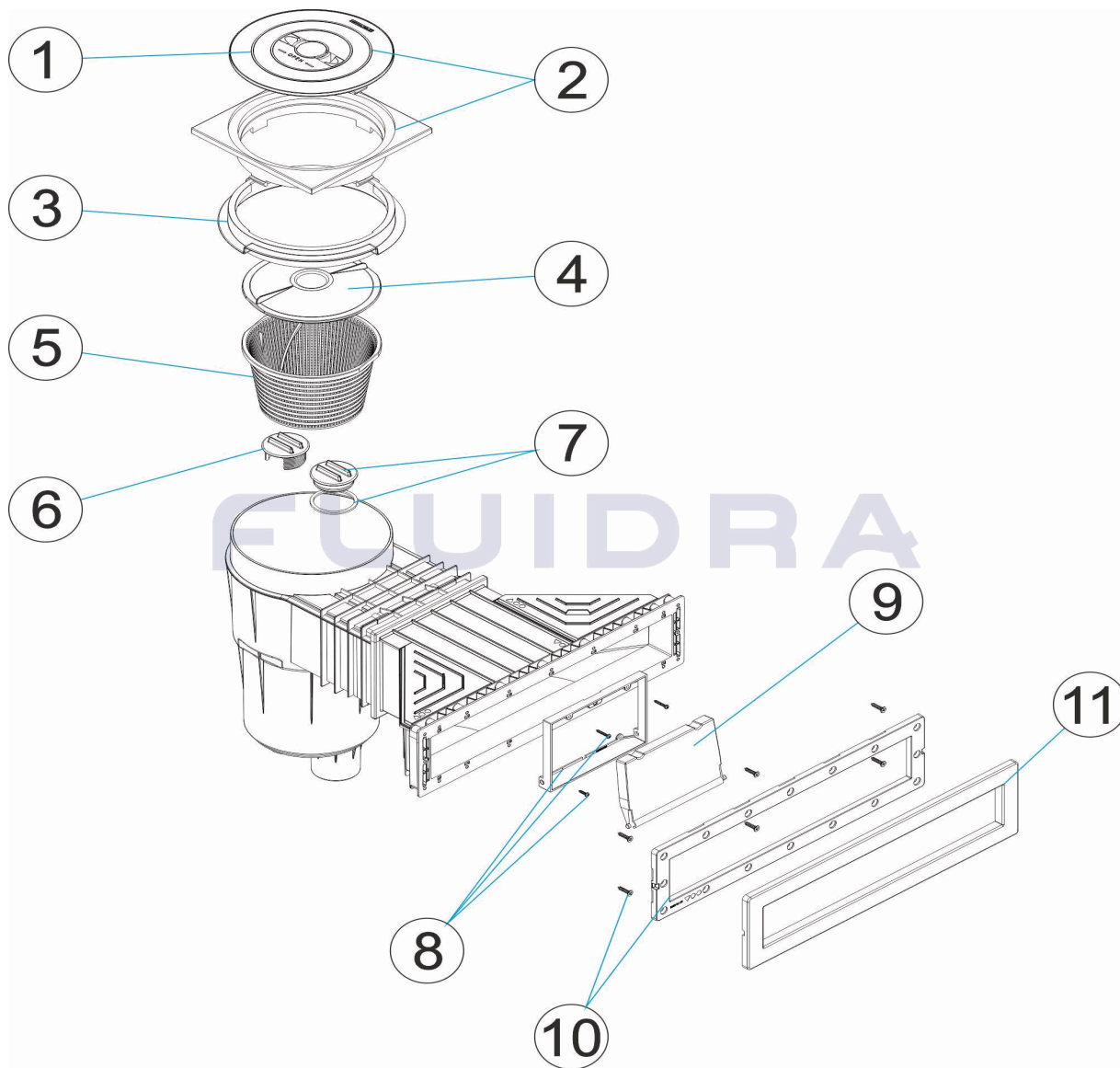


CODIGO **58707, 58707CL090, 58707CL129, 58707CL144**

DESCRIPCION: **SKIMMER 17,5 L. PH B. SLIM**



ESPAÑOL

POS	CODIGO	DESCRIPCION	CANTIDAD	POS	CODIGO	DESCRIPCION	CANTIDAD
1	* 4402010509	TAPA SKIMMER		7	4402010503	TAPON CON JUNTA	
1	* 4402010064	TAPA SKIMMER		8	* 4402010508	MARCO COMPUERTA SKIMMER	
1	* 4402010066	TAPA SKIMMER		8	* 4402010119	MARCO COMPUERTA SKIMMER	
1	* 4402010041	TAPA SKIMMER		8	* 4402010120	MARCO COMPUERTA SKIMMER	
2	* 4402010510	MARCO CUADRADO Y TAPA		8	* 4402010042	MARCO COMPUERTA SKIMMER	
2	* 4402010067	MARCO CUADRADO Y TAPA		9	* 4402010501	COMPUERTA SKIMMER CON CLIP	
2	* 4402010069	MARCO CUADRADO Y TAPA		9	* 4402010076	COMPUERTA SKIMMER CON CLIP	
2	* 4402010040	MARCO CUADRADO Y TAPA		9	* 4402010079	COMPUERTA SKIMMER CON CLIP	
3	* 4402010506	ANILLO DISTANCIADOR SKIMMER		9	* 4402010080	COMPUERTA SKIMMER CON CLIP	
3	* 4402010073	ANILLO DISTANCIADOR SKIMMER		10	* 4402010165	BRIDA BOCA 495 X 80 CON INSERTOS	
3	* 4402010075	ANILLO DISTANCIADOR SKIMMER		10	* 4402010166	BRIDA BOCA 495 X 80 CON INSERTOS	
3	* 4402010039	ANILLO DISTANCIADOR 17,5L		10	* 4402010167	BRIDA BOCA 495 X 80 CON INSERTOS	
4	4402010505	TAPA CESTO SKIMMER		10	* 4402010168	BRIDA BOCA 495 X 80 CON INSERTOS	
5	4402010504	CESTO SKIMMER 17,5 LTS.		11	* 4402010023	EMBELLECEDOR BOCA 495 X 80	

CODIGO 58707, 58707CL090, 58707CL129, 58707CL144

DESCRIPCION: SKIMMER 17,5 L. PH B. SLIM

6	4402010502	TAPON REGULADOR	11	* 4402010138	EMBELLECEDOR BOCA 495 X 80
11	* 4402010139	EMBELLECEDOR BOCA 495 X 80	11	* 4402010087	EMBELLECEDOR BOCA 495 X 80

CODIGO 58707, 58707CL090, 58707CL129, 58707CL144

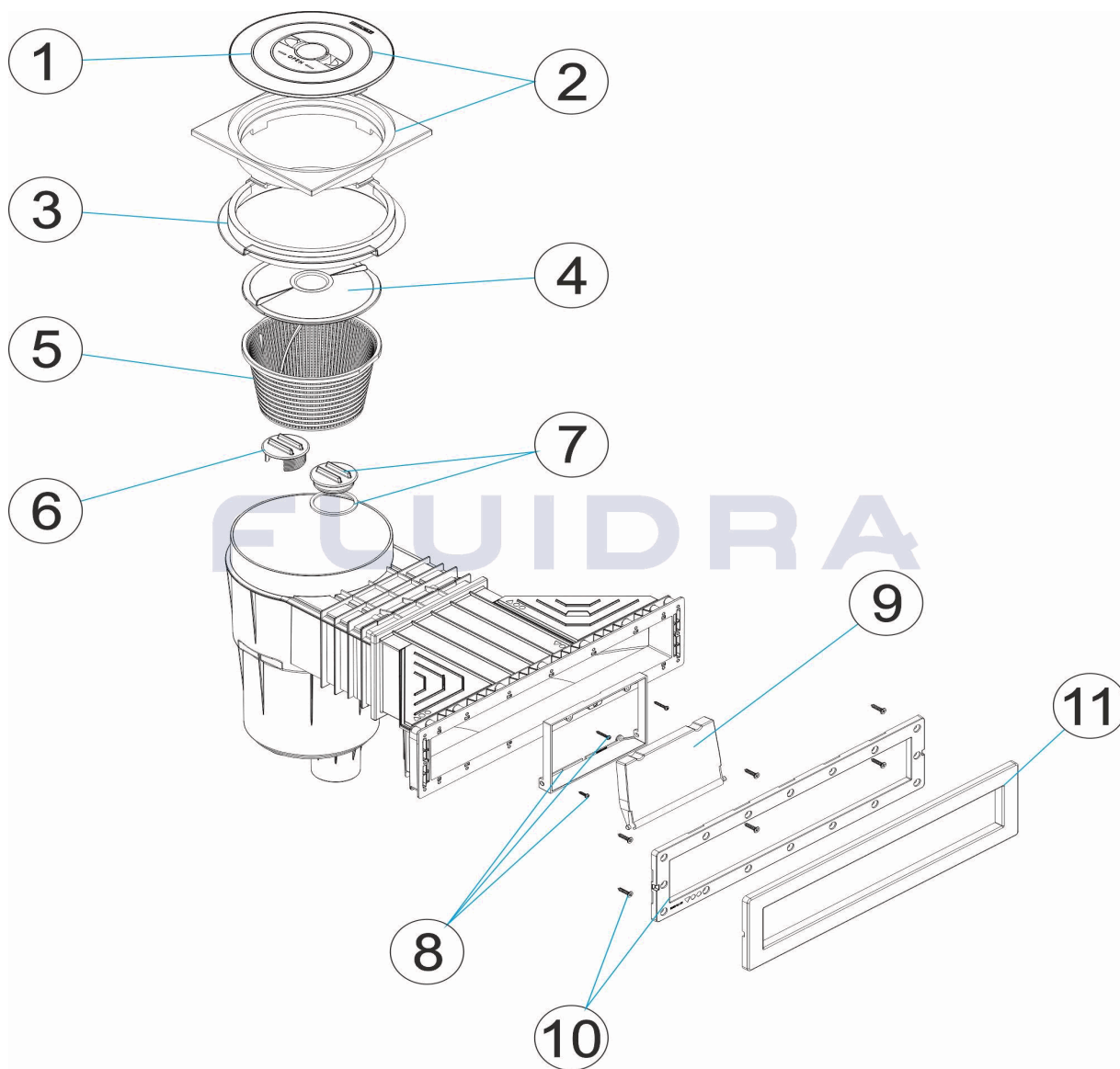
DESCRIPCION: SKIMMER 17,5 L. PH B. SLIM

OBSERVACIONES

POS	CODIGO	OBSERVACIONES
1	* 4402010509	PARA: 58707 BLANCO / WHITE
1	* 4402010064	PARA: 58707CL090 BEIGE
1	* 4402010066	PARA: 58707CL129 GRIS / GREY
1	* 4402010041	PARA: 58707CL144 ANTRACITA / ANTHRACITE
2	* 4402010510	PARA: 58707 BLANCO / WHITE
2	* 4402010067	PARA: 58707CL090 BEIGE
2	* 4402010069	PARA: 58707CL129 GRIS / GREY
2	* 4402010040	PARA: 58707CL144 ANTRACITA / ANTHRACITE
3	* 4402010506	PARA: 58707 BLANCO / WHITE
3	* 4402010073	PARA: 58707CL090 BEIGE
3	* 4402010075	PARA: 58707CL129 GRIS / GREY
3	* 4402010039	PARA: 58707CL144 ANTRACITA / ANTHRACITE
8	* 4402010508	PARA: 58707 BLANCO / WHITE
8	* 4402010119	PARA: 58707CL090 BEIGE
8	* 4402010120	PARA: 58707CL129 GRIS / GREY
8	* 4402010042	PARA: 58707CL144 ANTRACITA / ANTHRACITE
9	* 4402010501	PARA: 58707 BLANCO / WHITE
9	* 4402010076	PARA: 58707CL090 BEIGE
9	* 4402010079	PARA: 58707CL129 GRIS / GREY
9	* 4402010080	PARA: 58707CL144 ANTRACITA / ANTHRACITE
10	* 4402010165	PARA: 58707 BLANCO / WHITE
10	* 4402010166	PARA: 58707CL090 BEIGE
10	* 4402010167	PARA: 58707CL129 GRIS / GREY
10	* 4402010168	PARA: 58707CL144 ANTRACITA / ANTHRACITE
11	* 4402010023	PARA: 58707 BLANCO / WHITE
11	* 4402010138	PARA: 58707CL090 BEIGE
11	* 4402010139	PARA: 58707CL129 GRIS / GREY
11	* 4402010087	PARA: 58707CL144 ANTRACITA / ANTHRACITE

CODE 58707, 58707CL090, 58707CL129, 58707CL144

DESCRIPTION: SKIMMER 17,5 L. PH B. SLIM



FRANCAIS

POS	CODE	DESCRIPTION	QUANTITE	POS	CODE	DESCRIPTION	QUANTITE
1	* 4402010509	COUVERCLE ROND DE SKIMMER		7	4402010503	BOUCHON SKIMMER AVEC JOINT	
1	* 4402010064	COUVERCLE ROND DE SKIMMER		8	* 4402010508	CADRE VOLET SKIMMER	
1	* 4402010066	COUVERCLE ROND DE SKIMMER		8	* 4402010119	CADRE VOLET SKIMMER	
1	* 4402010041	COUVERCLE ROND DE SKIMMER		8	* 4402010120	CADRE VOLET SKIMMER	
2	* 4402010510	CADRE ET COUVERCLE ROND		8	* 4402010042	CADRE VOLET SKIMMER	
2	* 4402010067	CADRE ET COUVERCLE ROND		9	* 4402010501	VOLET DE SKIMMER	
2	* 4402010069	CADRE ET COUVERCLE ROND		9	* 4402010076	VOLET DE SKIMMER	
2	* 4402010040	CADRE ET COUVERCLE ROND		9	* 4402010079	VOLET DE SKIMMER	
3	* 4402010506	CADRE REHAUSSE COUVERCLE		9	* 4402010080	VOLET DE SKIMMER	
3	* 4402010073	CADRE REHAUSSE COUVERCLE		10	* 4402010165	BRIDE 495 X 80 AVEC INSERTS	
3	* 4402010075	CADRE REHAUSSE COUVERCLE		10	* 4402010166	BRIDE 495 X 80 AVEC INSERTS	
3	* 4402010039	CADRE REHAUSSE COUVERCLE		10	* 4402010167	BRIDE 495 X 80 AVEC INSERTS	
4	4402010505	COUVERCLE PANIER SKIMMER		10	* 4402010168	BRIDE 495 X 80 AVEC INSERTS	
5	4402010504	PANIER SKIMMER 17,5 LTS		11	* 4402010023	ENJOLIVEUR 495 X 80	

* VOIR FICHE D'OBSERVATIONS

CODE **58707, 58707CL090, 58707CL129, 58707CL144**

DESCRIPTION: **SKIMMER 17,5 L. PH B. SLIM**

6	4402010502	BOUCHON REGULATEUR	11	* 4402010138	ENJOLIVEUR 495 X 80
11	* 4402010139	ENJOLIVEUR 495 X 80	11	* 4402010087	ENJOLIVEUR 495 X 80

CODE **58707, 58707CL090, 58707CL129, 58707CL144**

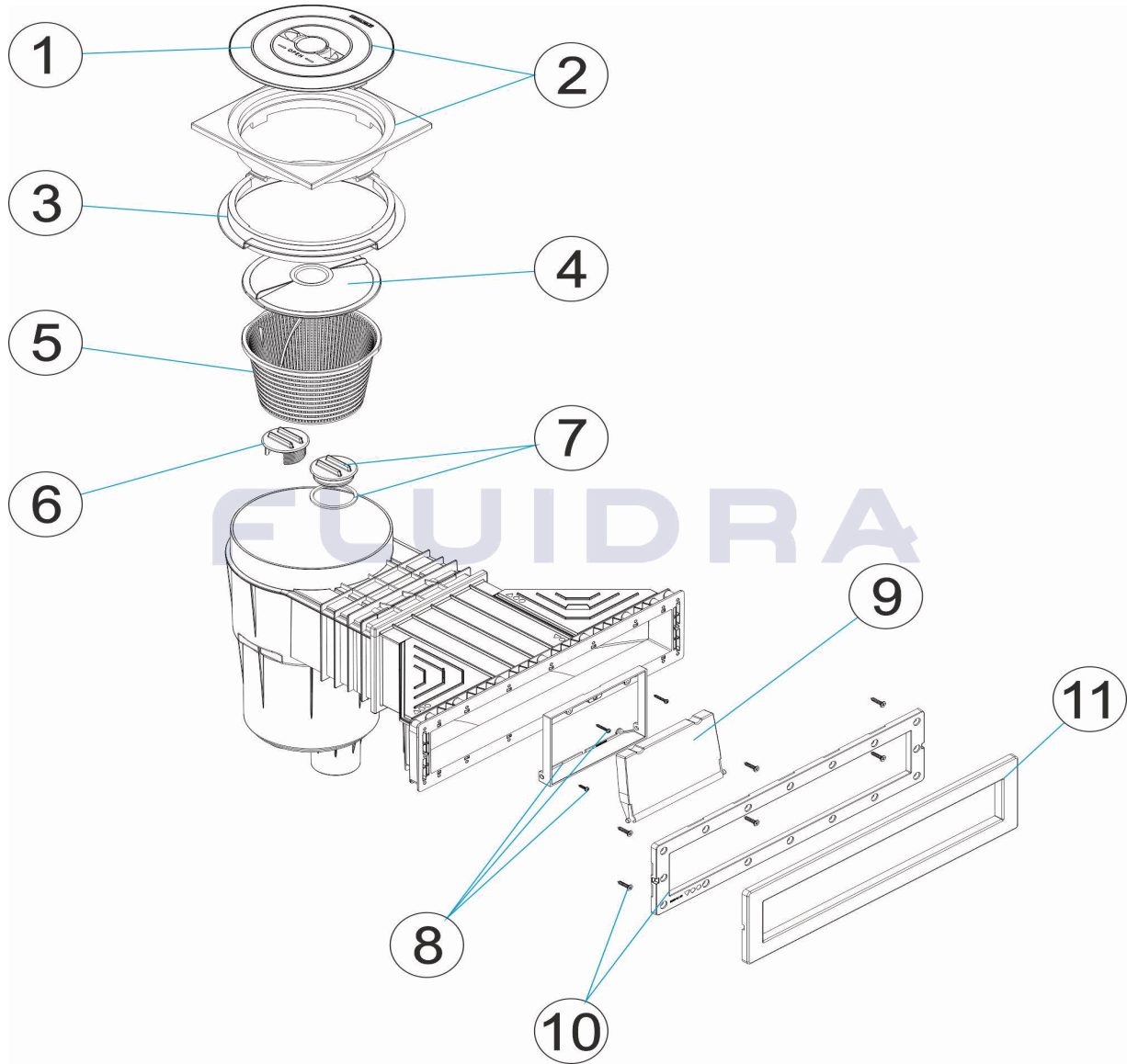
DESCRIPTION: **SKIMMER 17,5 L. PH B. SLIM**

OBSERVATIONS

POS	CODE	OBSERVATIONS
1	* 4402010509	POUR: 58707 BLANCO / WHITE
1	* 4402010064	POUR: 58707CL090 BEIGE
1	* 4402010066	POUR: 58707CL129 GRIS / GREY
1	* 4402010041	POUR: 58707CL144 ANTRACITA / ANTHRACITE
2	* 4402010510	POUR: 58707 BLANCO / WHITE
2	* 4402010067	POUR: 58707CL090 BEIGE
2	* 4402010069	POUR: 58707CL129 GRIS / GREY
2	* 4402010040	POUR: 58707CL144 ANTRACITA / ANTHRACITE
3	* 4402010506	POUR: 58707 BLANCO / WHITE
3	* 4402010073	POUR: 58707CL090 BEIGE
3	* 4402010075	POUR: 58707CL129 GRIS / GREY
3	* 4402010039	POUR: 58707CL144 ANTRACITA / ANTHRACITE
8	* 4402010508	POUR: 58707 BLANCO / WHITE
8	* 4402010119	POUR: 58707CL090 BEIGE
8	* 4402010120	POUR: 58707CL129 GRIS / GREY
8	* 4402010042	POUR: 58707CL144 ANTRACITA / ANTHRACITE
9	* 4402010501	POUR: 58707 BLANCO / WHITE
9	* 4402010076	POUR: 58707CL090 BEIGE
9	* 4402010079	POUR: 58707CL129 GRIS / GREY
9	* 4402010080	POUR: 58707CL144 ANTRACITA / ANTHRACITE
10	* 4402010165	POUR: 58707 BLANCO / WHITE
10	* 4402010166	POUR: 58707CL090 BEIGE
10	* 4402010167	POUR: 58707CL129 GRIS / GREY
10	* 4402010168	POUR: 58707CL144 ANTRACITA / ANTHRACITE
11	* 4402010023	POUR: 58707 BLANCO / WHITE
11	* 4402010138	POUR: 58707CL090 BEIGE
11	* 4402010139	POUR: 58707CL129 GRIS / GREY
11	* 4402010087	POUR: 58707CL144 ANTRACITA / ANTHRACITE

CODE **58707, 58707CL090, 58707CL129, 58707CL144**

DESCRIPTION: **SKIMMER 17,5 L. PH B. SLIM**



ENGLISH

POS	CODE	DESCRIPTION	QUANTITY	POS	CODE	DESCRIPTION	QUANTITY
1	* 4402010509	SKIMMER LID		7	4402010503	BLANKING PLUG AND 'O' RING	
1	* 4402010064	SKIMMER LID		8	* 4402010508	FLAP FRAME	
1	* 4402010066	SKIMMER LID		8	* 4402010119	FLAP FRAME	
1	* 4402010041	SKIMMER LID		8	* 4402010120	FLAP FRAME	
2	* 4402010510	SQUARE RIM AND LID		8	* 4402010042	FLAP FRAME	
2	* 4402010067	SQUARE RIM AND LID		9	* 4402010501	SKIMMER FLAP	
2	* 4402010069	SQUARE RIM AND LID		9	* 4402010076	SKIMMER FLAP	
2	* 4402010040	SQUARE RIM AND LID		9	* 4402010079	SKIMMER FLAP	
3	* 4402010506	COLLAR EXTENSION RING		9	* 4402010080	SKIMMER FLAP	
3	* 4402010073	COLLAR EXTENSION RING		10	* 4402010165	FLANGE 495 X 80 APERTURE WITH INSERT	
3	* 4402010075	COLLAR EXTENSION RING		10	* 4402010166	FLANGE 495 X 80 APERTURE WITH INSERT	
3	* 4402010039	COLLAR EXTENSION RING		10	* 4402010167	FLANGE 495 X 80 APERTURE WITH INSERT	
4	4402010505	VACUUM PLATE		10	* 4402010168	FLANGE 495 X 80 APERTURE WITH INSERT	
5	4402010504	BASKET 17,5 LITRES		11	* 4402010023	PLATE 495 X 80 APERTURE	

CODE **58707, 58707CL090, 58707CL129, 58707CL144**

DESCRIPTION: **SKIMMER 17,5 L. PH B. SLIM**

6	4402010502	REGULATING PLUG	11	* 4402010138	PLATE 495 X 80 APERTURE
11	* 4402010139	PLATE 495 X 80 APERTURE	11	* 4402010087	PLATE 495 X 80 APERTURE

CODE **58707, 58707CL090, 58707CL129, 58707CL144**

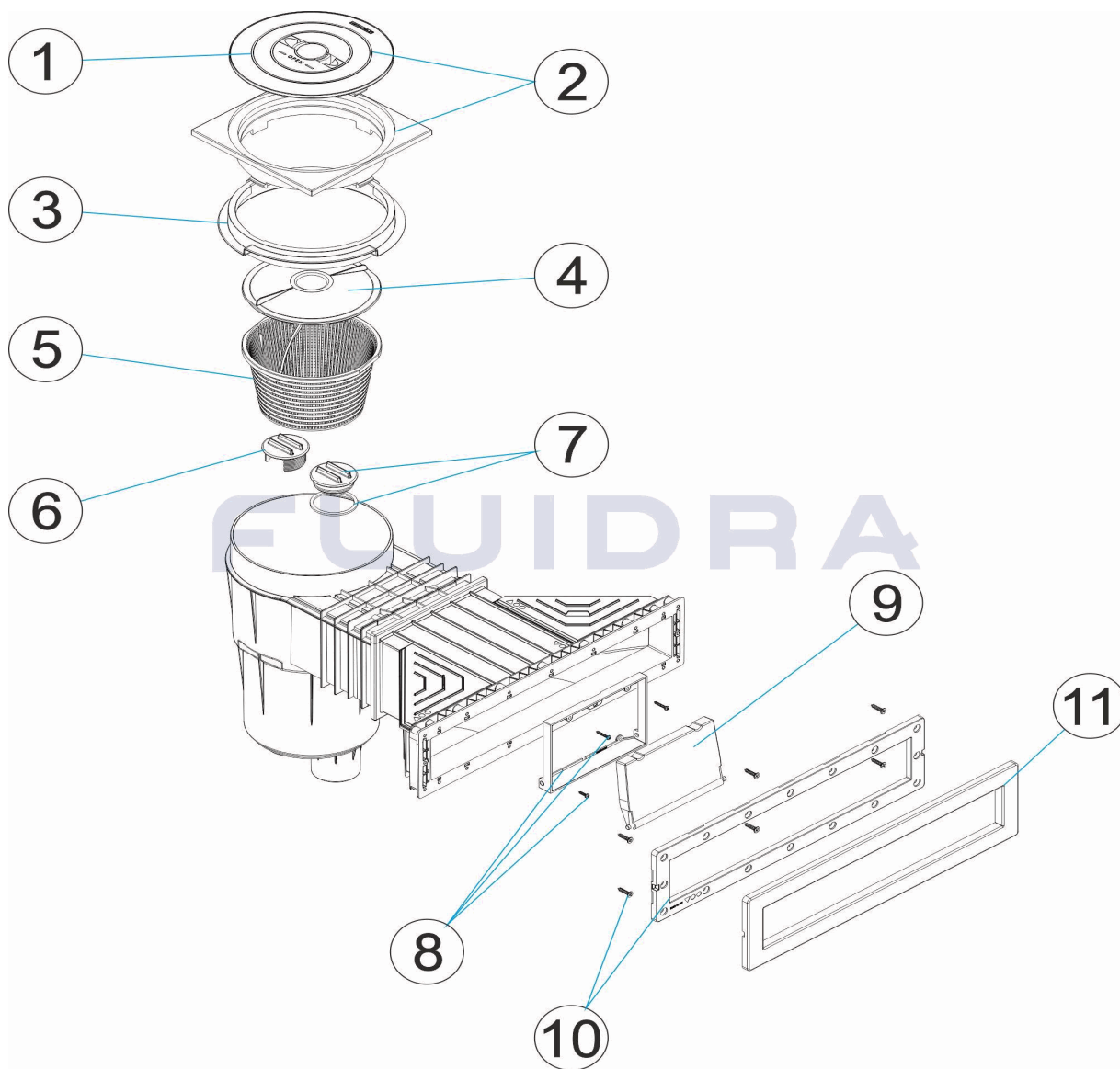
DESCRIPTION: **SKIMMER 17,5 L. PH B. SLIM**

OBSERVATIONS

POS	CODE	OBSERVATIONS
1	* 4402010509	FOR: 58707 BLANCO / WHITE
1	* 4402010064	FOR: 58707CL090 BEIGE
1	* 4402010066	FOR: 58707CL129 GRIS / GREY
1	* 4402010041	FOR: 58707CL144 ANTRACITA / ANTHRACITE
2	* 4402010510	FOR: 58707 BLANCO / WHITE
2	* 4402010067	FOR: 58707CL090 BEIGE
2	* 4402010069	FOR: 58707CL129 GRIS / GREY
2	* 4402010040	FOR: 58707CL144 ANTRACITA / ANTHRACITE
3	* 4402010506	FOR: 58707 BLANCO / WHITE
3	* 4402010073	FOR: 58707CL090 BEIGE
3	* 4402010075	FOR: 58707CL129 GRIS / GREY
3	* 4402010039	FOR: 58707CL144 ANTRACITA / ANTHRACITE
8	* 4402010508	FOR: 58707 BLANCO / WHITE
8	* 4402010119	FOR: 58707CL090 BEIGE
8	* 4402010120	FOR: 58707CL129 GRIS / GREY
8	* 4402010042	FOR: 58707CL144 ANTRACITA / ANTHRACITE
9	* 4402010501	FOR: 58707 BLANCO / WHITE
9	* 4402010076	FOR: 58707CL090 BEIGE
9	* 4402010079	FOR: 58707CL129 GRIS / GREY
9	* 4402010080	FOR: 58707CL144 ANTRACITA / ANTHRACITE
10	* 4402010165	FOR: 58707 BLANCO / WHITE
10	* 4402010166	FOR: 58707CL090 BEIGE
10	* 4402010167	FOR: 58707CL129 GRIS / GREY
10	* 4402010168	FOR: 58707CL144 ANTRACITA / ANTHRACITE
11	* 4402010023	FOR: 58707 BLANCO / WHITE
11	* 4402010138	FOR: 58707CL090 BEIGE
11	* 4402010139	FOR: 58707CL129 GRIS / GREY
11	* 4402010087	FOR: 58707CL144 ANTRACITA / ANTHRACITE

CODICE **58707, 58707CL090, 58707CL129, 58707CL144**

DESCRIZIONE: **SKIMMER 17,5 L. PH B. SLIM**



ITALIANO

POS	CODICE	DESCRIZIONE	QUANTITA'	POS	CODICE	DESCRIZIONE	QUANTITA'
1	* 4402010509	COPERCHIO SKIMMER		7	4402010503	TAPPO CON GUARNIZIONE	
1	* 4402010064	COPERCHIO SKIMMER		8	* 4402010508	CORNICE BATTENTE SKIMMER	
1	* 4402010066	COPERCHIO SKIMMER		8	* 4402010119	CORNICE BATTENTE SKIMMER	
1	* 4402010041	COPERCHIO SKIMMER		8	* 4402010120	CORNICE BATTENTE SKIMMER	
2	* 4402010510	FLANGIA QUADRATA E COPERCHIO		8	* 4402010042	CORNICE BATTENTE SKIMMER	
2	* 4402010067	FLANGIA QUADRATA E COPERCHIO		9	* 4402010501	BATTENTE SKIMMER CON CLIP	
2	* 4402010069	FLANGIA QUADRATA E COPERCHIO		9	* 4402010076	BATTENTE SKIMMER CON CLIP	
2	* 4402010040	FLANGIA QUADRATA E COPERCHIO		9	* 4402010079	BATTENTE SKIMMER CON CLIP	
3	* 4402010506	ANELLO DISTANZIATORE SKIMMER		9	* 4402010080	BATTENTE SKIMMER CON CLIP	
3	* 4402010073	ANELLO DISTANZIATORE SKIMMER		10	* 4402010165	FLANGIA 495 X 80 CON INSERTI	
3	* 4402010075	ANELLO DISTANZIATORE SKIMMER		10	* 4402010166	FLANGIA 495 X 80 CON INSERTI	
3	* 4402010039	ANELLO DISTANZIATORE SKIMMER		10	* 4402010167	FLANGIA 495 X 80 CON INSERTI	
4	4402010505	COPERCHIO CESTELLO SKIMMER		10	* 4402010168	FLANGIA 495 X 80 CON INSERTI	
5	4402010504	CESTELLO SKIMMER DA 17,5 LITRI		11	* 4402010023	FLANGIA DI RIFINITURA 495 X 80	

*** SI FACCI RIFERIMENTO AL FOGLIO DELLE OSSERVAZIONI**

CODICE **58707, 58707CL090, 58707CL129, 58707CL144**

DESCRIZIONE: SKIMMER 17,5 L. PH B. SLIM

6	4402010502	TAPPO DI REGOLAZIONE	11	* 4402010138	FLANGIA DI RIFINITURA 495 X 80
11	* 4402010139	FLANGIA DI RIFINITURA 495 X 80	11	* 4402010087	FLANGIA DI RIFINITURA 495 X 80

CODICE **58707, 58707CL090, 58707CL129, 58707CL144**

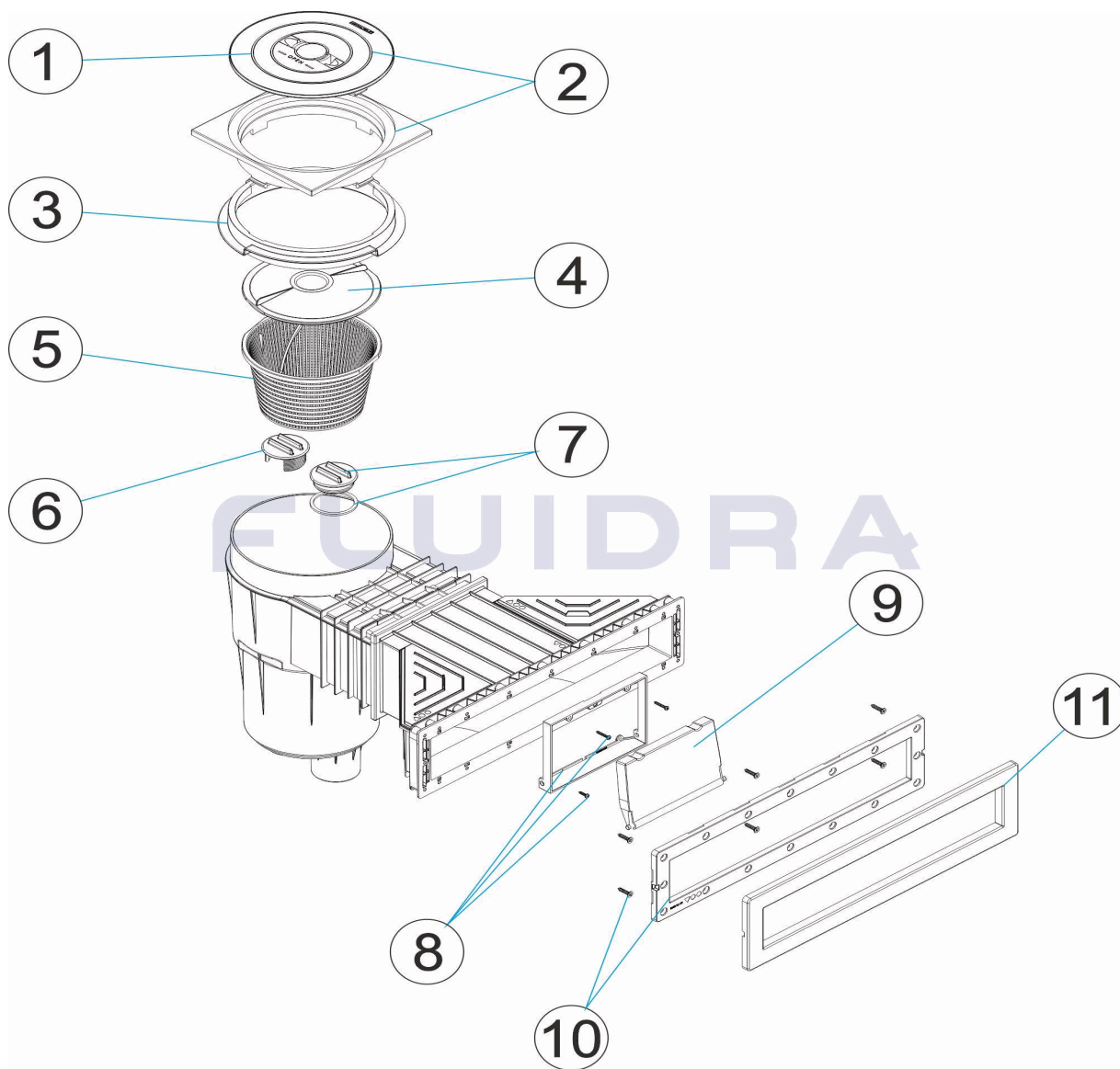
DESCRIZIONE: **SKIMMER 17,5 L. PH B. SLIM**

OSSERVAZIONI

POS	CODICE	OSSERVAZIONI
1	* 4402010509	PER: 58707 BLANCO / WHITE
1	* 4402010064	PER: 58707CL090 BEIGE
1	* 4402010066	PER: 58707CL129 GRIS / GREY
1	* 4402010041	PER: 58707CL144 ANTRACITA / ANTHRACITE
2	* 4402010510	PER: 58707 BLANCO / WHITE
2	* 4402010067	PER: 58707CL090 BEIGE
2	* 4402010069	PER: 58707CL129 GRIS / GREY
2	* 4402010040	PER: 58707CL144 ANTRACITA / ANTHRACITE
3	* 4402010506	PER: 58707 BLANCO / WHITE
3	* 4402010073	PER: 58707CL090 BEIGE
3	* 4402010075	PER: 58707CL129 GRIS / GREY
3	* 4402010039	PER: 58707CL144 ANTRACITA / ANTHRACITE
8	* 4402010508	PER: 58707 BLANCO / WHITE
8	* 4402010119	PER: 58707CL090 BEIGE
8	* 4402010120	PER: 58707CL129 GRIS / GREY
8	* 4402010042	PER: 58707CL144 ANTRACITA / ANTHRACITE
9	* 4402010501	PER: 58707 BLANCO / WHITE
9	* 4402010076	PER: 58707CL090 BEIGE
9	* 4402010079	PER: 58707CL129 GRIS / GREY
9	* 4402010080	PER: 58707CL144 ANTRACITA / ANTHRACITE
10	* 4402010165	PER: 58707 BLANCO / WHITE
10	* 4402010166	PER: 58707CL090 BEIGE
10	* 4402010167	PER: 58707CL129 GRIS / GREY
10	* 4402010168	PER: 58707CL144 ANTRACITA / ANTHRACITE
11	* 4402010023	PER: 58707 BLANCO / WHITE
11	* 4402010138	PER: 58707CL090 BEIGE
11	* 4402010139	PER: 58707CL129 GRIS / GREY
11	* 4402010087	PER: 58707CL144 ANTRACITA / ANTHRACITE

CODE **58707, 58707CL090, 58707CL129, 58707CL144**

BESCHREIBUNG: **SKIMMER 17,5 L. PH EINLASS SLIM**



DEUTSCH

POS	CODE	BESCHREIBUNG	MENGE	POS	CODE	BESCHREIBUNG	MENGE
1	* 4402010509	SKIMMERDECKEL		7	4402010503	STOPFEN UND DICHTUNG	
1	* 4402010064	SKIMMERDECKEL		8	* 4402010508	RAHMEN SKIMMERKLAPPE	
1	* 4402010066	SKIMMERDECKEL		8	* 4402010119	RAHMEN SKIMMERKLAPPE	
1	* 4402010041	SKIMMERDECKEL		8	* 4402010120	RAHMEN SKIMMERKLAPPE	
2	* 4402010510	QUADRATISCHER RAHMEN UND ABDECKL		8	* 4402010042	RAHMEN SKIMMERKLAPPE	
2	* 4402010067	QUADRATISCHER RAHMEN UND ABDECKL		9	* 4402010501	SKIMMERKLAPPE MIT CLIP	
2	* 4402010069	QUADRATISCHER RAHMEN UND ABDECKL		9	* 4402010076	SKIMMERKLAPPE MIT CLIP	
2	* 4402010040	QUADRATISCHER RAHMEN UND ABDECKL		9	* 4402010079	SKIMMERKLAPPE MIT CLIP	
3	* 4402010506	DISTANZRING SKIMMER		9	* 4402010080	SKIMMERKLAPPE MIT CLIP	
3	* 4402010073	DISTANZRING SKIMMER		10	* 4402010165	EINLASSFLANSCH 495 X 80 MIT EINSÄTZEI	
3	* 4402010075	DISTANZRING SKIMMER		10	* 4402010166	EINLASSFLANSCH 495 X 80 MIT EINSÄTZEI	
3	* 4402010039	DISTANZRING 17,5 L		10	* 4402010167	EINLASSFLANSCH 495 X 80 MIT EINSÄTZEI	
4	4402010505	ABDECKUNG SKIMMKORB		10	* 4402010168	EINLASSFLANSCH 495 X 80 MIT EINSÄTZEI	
5	4402010504	SKIMMERKORB 17,5 L		11	* 4402010023	BLENDE EINLASS 495 X 80	

CODE **58707, 58707CL090, 58707CL129, 58707CL144**

BESCHREIBUNG: **SKIMMER 17,5 L. PH EINLASS SLIM**

6	4402010502	STOPFEN REGULIERUNG	11	* 4402010138	BLENDE EINLASS 495 X 80
11	* 4402010139	BLENDE EINLASS 495 X 80	11	* 4402010087	BLENDE EINLASS 495 X 80

CODE **58707, 58707CL090, 58707CL129, 58707CL144**

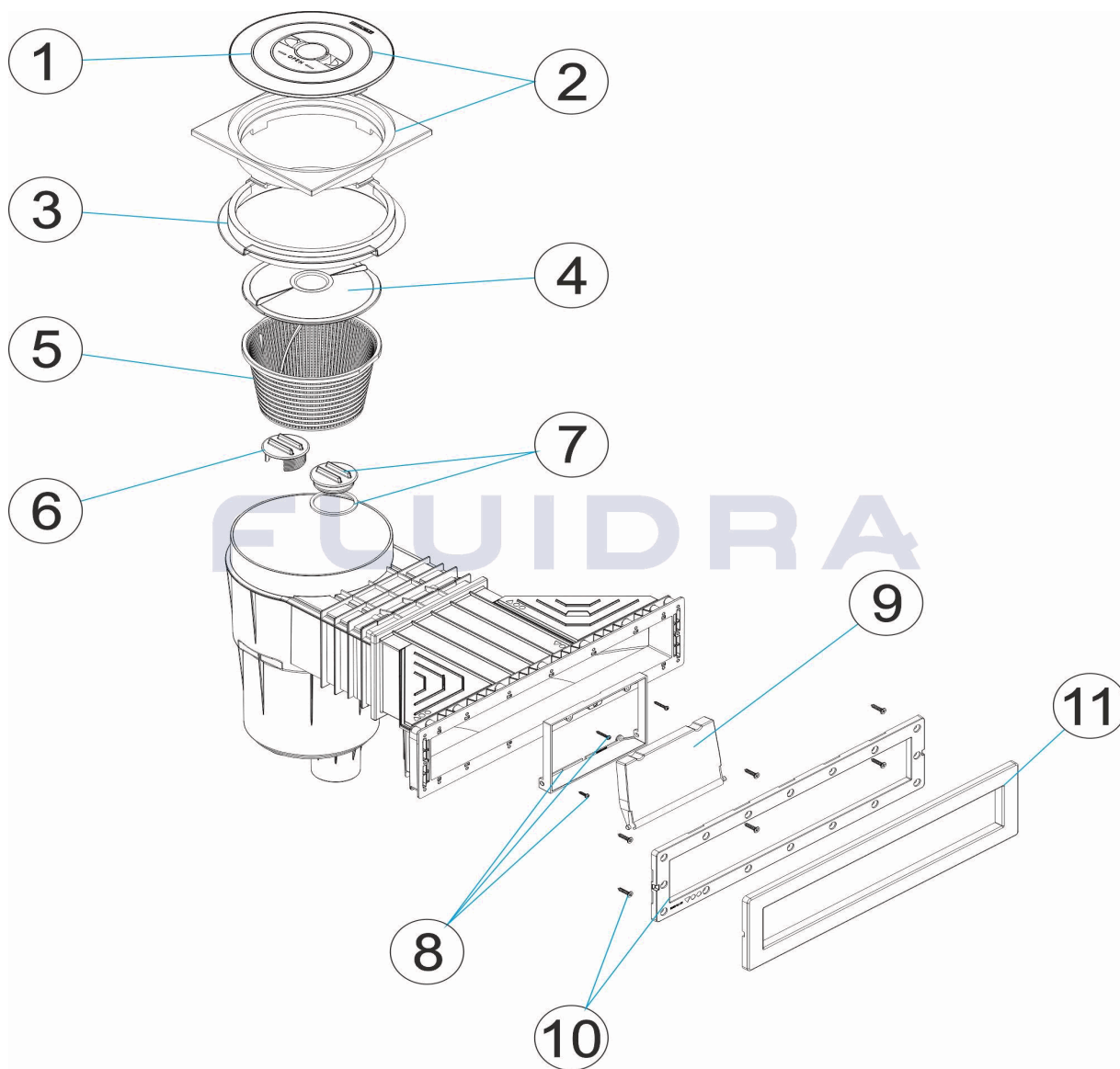
BESCHREIBUNG: **SKIMMER 17,5 L. PH EINLASS SLIM**

HINWEISE

POS	CODE	HINWEISE
1	* 4402010509	FÜR: 58707 BLANCO / WHITE
1	* 4402010064	FÜR: 58707CL090 BEIGE
1	* 4402010066	FÜR: 58707CL129 GRIS / GREY
1	* 4402010041	FÜR: 58707CL144 ANTRACITA / ANTHRACITE
2	* 4402010510	FÜR: 58707 BLANCO / WHITE
2	* 4402010067	FÜR: 58707CL090 BEIGE
2	* 4402010069	FÜR: 58707CL129 GRIS / GREY
2	* 4402010040	FÜR: 58707CL144 ANTRACITA / ANTHRACITE
3	* 4402010506	FÜR: 58707 BLANCO / WHITE
3	* 4402010073	FÜR: 58707CL090 BEIGE
3	* 4402010075	FÜR: 58707CL129 GRIS / GREY
3	* 4402010039	FÜR: 58707CL144 ANTRACITA / ANTHRACITE
8	* 4402010508	FÜR: 58707 BLANCO / WHITE
8	* 4402010119	FÜR: 58707CL090 BEIGE
8	* 4402010120	FÜR: 58707CL129 GRIS / GREY
8	* 4402010042	FÜR: 58707CL144 ANTRACITA / ANTHRACITE
9	* 4402010501	FÜR: 58707 BLANCO / WHITE
9	* 4402010076	FÜR: 58707CL090 BEIGE
9	* 4402010079	FÜR: 58707CL129 GRIS / GREY
9	* 4402010080	FÜR: 58707CL144 ANTRACITA / ANTHRACITE
10	* 4402010165	FÜR: 58707 BLANCO / WHITE
10	* 4402010166	FÜR: 58707CL090 BEIGE
10	* 4402010167	FÜR: 58707CL129 GRIS / GREY
10	* 4402010168	FÜR: 58707CL144 ANTRACITA / ANTHRACITE
11	* 4402010023	FÜR: 58707 BLANCO / WHITE
11	* 4402010138	FÜR: 58707CL090 BEIGE
11	* 4402010139	FÜR: 58707CL129 GRIS / GREY
11	* 4402010087	FÜR: 58707CL144 ANTRACITA / ANTHRACITE

CODIGO 58707, 58707CL090, 58707CL129, 58707CL144

DESCRIÇÃO: SKIMMER 17,5 L. PH B. SLIM



PORTUGUES

POS	CODIGO	DESCRIÇÃO	JANTIDADE	POS	CODIGO	DESCRIÇÃO	JANTIDADE
1	* 4402010509	TAMPA SKIMMER		7	4402010503	TAMPA COM JUNTA	
1	* 4402010064	TAMPA SKIMMER		8	* 4402010508	CAIXILHO COMPORTA SKIMMER	
1	* 4402010066	TAMPA SKIMMER		8	* 4402010119	CAIXILHO COMPORTA SKIMMER	
1	* 4402010041	TAMPA SKIMMER		8	* 4402010120	CAIXILHO COMPORTA SKIMMER	
2	* 4402010510	ARO QUADRADO E TAMPA		8	* 4402010042	CAIXILHO COMPORTA SKIMMER	
2	* 4402010067	ARO QUADRADO E TAMPA		9	* 4402010501	COMPORTA SKIMMER CLIP	
2	* 4402010069	ARO QUADRADO E TAMPA		9	* 4402010076	COMPORTA SKIMMER CLIP	
2	* 4402010040	ARO QUADRADO E TAMPA		9	* 4402010079	COMPORTA SKIMMER CLIP	
3	* 4402010506	ANEL DISTANCIADOR SKIMMER		9	* 4402010080	COMPORTA SKIMMER CLIP	
3	* 4402010073	ANEL DISTANCIADOR SKIMMER		10	* 4402010165	FLANGE BOCA 495 X 80 COM INSERÇÕES	
3	* 4402010075	ANEL DISTANCIADOR SKIMMER		10	* 4402010166	FLANGE BOCA 495 X 80 COM INSERÇÕES	
3	* 4402010039	ANEL DISTANCIADOR SKIMMER		10	* 4402010167	FLANGE BOCA 495 X 80 COM INSERÇÕES	
4	4402010505	TAMPA CESTO SKIMMER		10	* 4402010168	FLANGE BOCA 495 X 80 COM INSERÇÕES	
5	4402010504	CESTO SKIMMER 17,5 LTS		11	* 4402010023	EMBELEZADOR BOCA 495 X 80	

*** VEJA A FICHA DE OBSERVAÇÕES**

CODIGO 58707, 58707CL090, 58707CL129, 58707CL144

DESCRIÇÃO: SKIMMER 17,5 L. PH B. SLIM

6	4402010502	TAMPA REGULADORA	11	* 4402010138	EMBELEZADOR BOCA 495 X 80
11	* 4402010139	EMBELEZADOR BOCA 495 X 80	11	* 4402010087	EMBELEZADOR BOCA 495 X 80

CODIGO 58707, 58707CL090, 58707CL129, 58707CL144

DESCRIÇÃO: SKIMMER 17,5 L. PH B. SLIM

OBSERVAÇÕES

POS	CODIGO	OBSERVAÇÕES
1	* 4402010509	PARA: 58707 BLANCO / WHITE
1	* 4402010064	PARA: 58707CL090 BEIGE
1	* 4402010066	PARA: 58707CL129 GRIS / GREY
1	* 4402010041	PARA: 58707CL144 ANTRACITA / ANTHRACITE
2	* 4402010510	PARA: 58707 BLANCO / WHITE
2	* 4402010067	PARA: 58707CL090 BEIGE
2	* 4402010069	PARA: 58707CL129 GRIS / GREY
2	* 4402010040	PARA: 58707CL144 ANTRACITA / ANTHRACITE
3	* 4402010506	PARA: 58707 BLANCO / WHITE
3	* 4402010073	PARA: 58707CL090 BEIGE
3	* 4402010075	PARA: 58707CL129 GRIS / GREY
3	* 4402010039	PARA: 58707CL144 ANTRACITA / ANTHRACITE
8	* 4402010508	PARA: 58707 BLANCO / WHITE
8	* 4402010119	PARA: 58707CL090 BEIGE
8	* 4402010120	PARA: 58707CL129 GRIS / GREY
8	* 4402010042	PARA: 58707CL144 ANTRACITA / ANTHRACITE
9	* 4402010501	PARA: 58707 BLANCO / WHITE
9	* 4402010076	PARA: 58707CL090 BEIGE
9	* 4402010079	PARA: 58707CL129 GRIS / GREY
9	* 4402010080	PARA: 58707CL144 ANTRACITA / ANTHRACITE
10	* 4402010165	PARA: 58707 BLANCO / WHITE
10	* 4402010166	PARA: 58707CL090 BEIGE
10	* 4402010167	PARA: 58707CL129 GRIS / GREY
10	* 4402010168	PARA: 58707CL144 ANTRACITA / ANTHRACITE
11	* 4402010023	PARA: 58707 BLANCO / WHITE
11	* 4402010138	PARA: 58707CL090 BEIGE
11	* 4402010139	PARA: 58707CL129 GRIS / GREY
11	* 4402010087	PARA: 58707CL144 ANTRACITA / ANTHRACITE