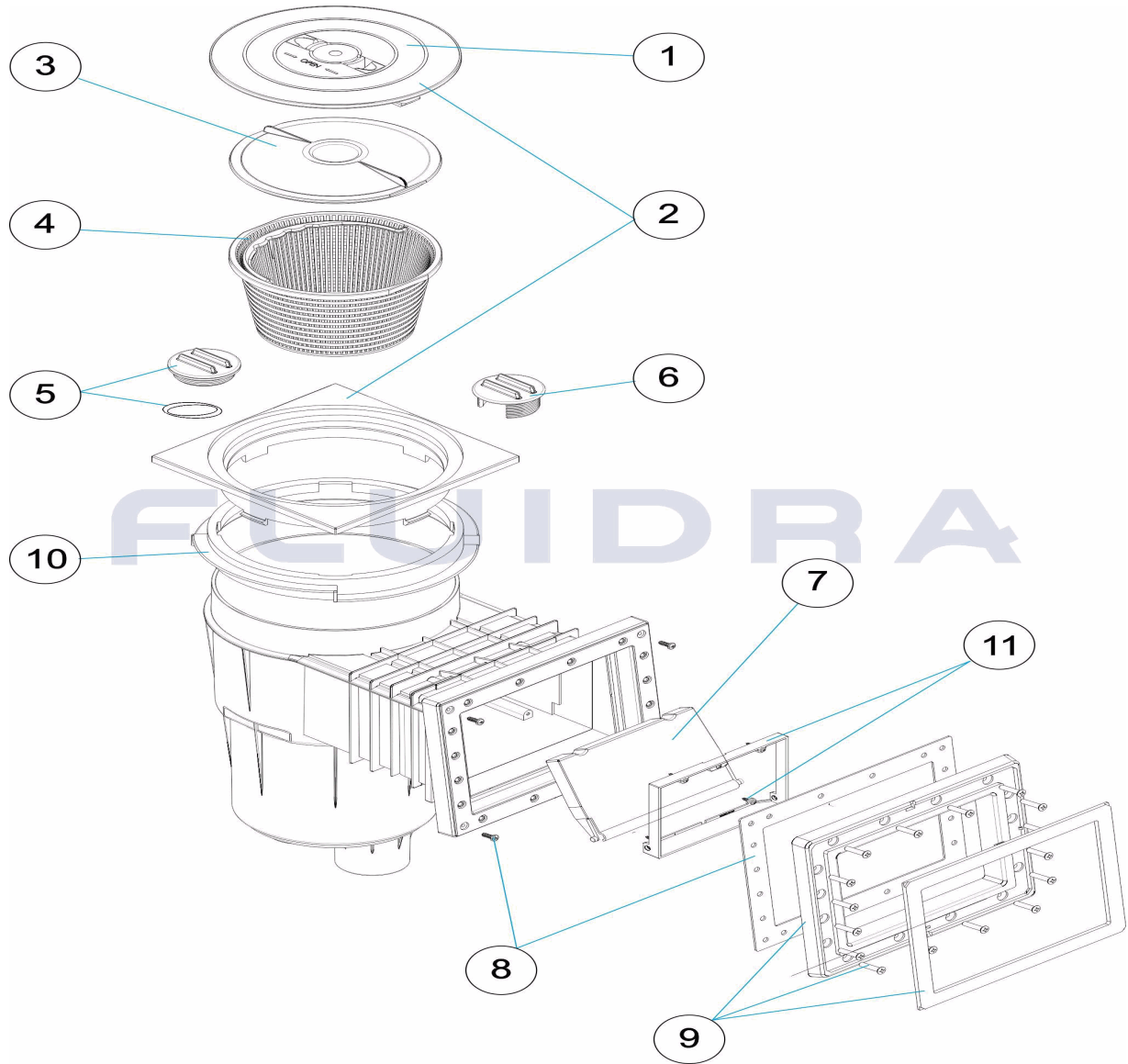


CODIGO **35664**

DESCRIPCION: **SKIMMER 17,5 LITROS 6° BOCA STANDARD**

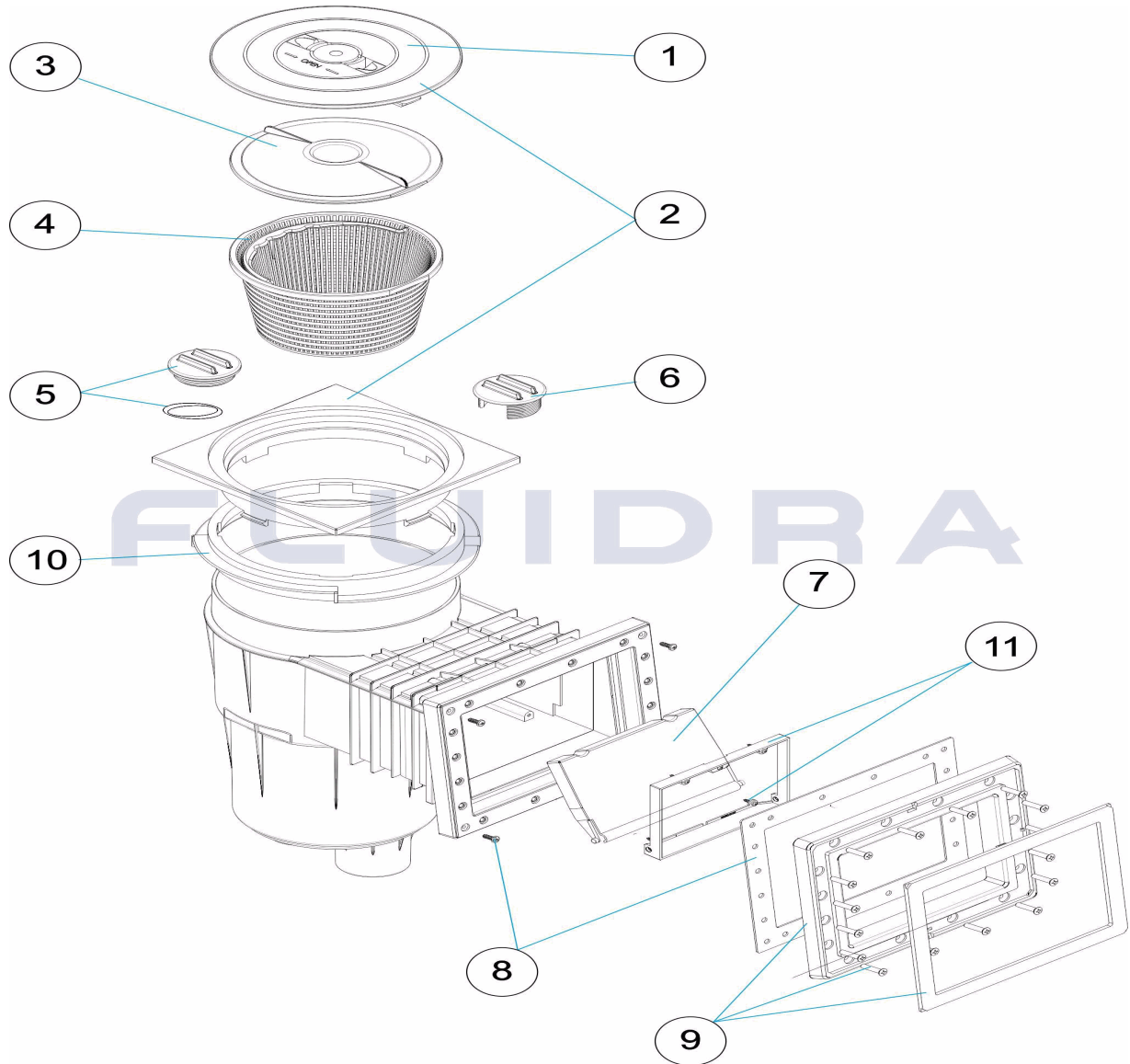


ESPAÑOL

POS	CODIGO	DESCRIPCION	CANTIDAD	POS	CODIGO	DESCRIPCION	CANTIDAD
1	4402010509	TAPA SKIMMER		7	4402010501	COMPUERTA SKIMMER CON CLIP	
2	4402010510	MARCO CUADRADO Y TAPA		8	4402014001	JUNTA SKIMMER PEQUEÑA PISC. PREF.	
3	4402010505	TAPA CESTO SKIMMER		9	4402014002	MARCO PEQUEÑO SKIMMER	
4	4402010504	CESTO SKIMMER 17,5 LTS.		10	4402010506	ANILLO DISTANCIADOR SKIMMER	
5	4402010503	TAPON CON JUNTA		11	4402010508	MARCO COMPUERTA SKIMMER	
6	4402010502	TAPON REGULADOR					

CODE **35664**

DESCRIPTION: **SKIMMER 17,5 LITRES 6° OUVERTURE STANDARD**

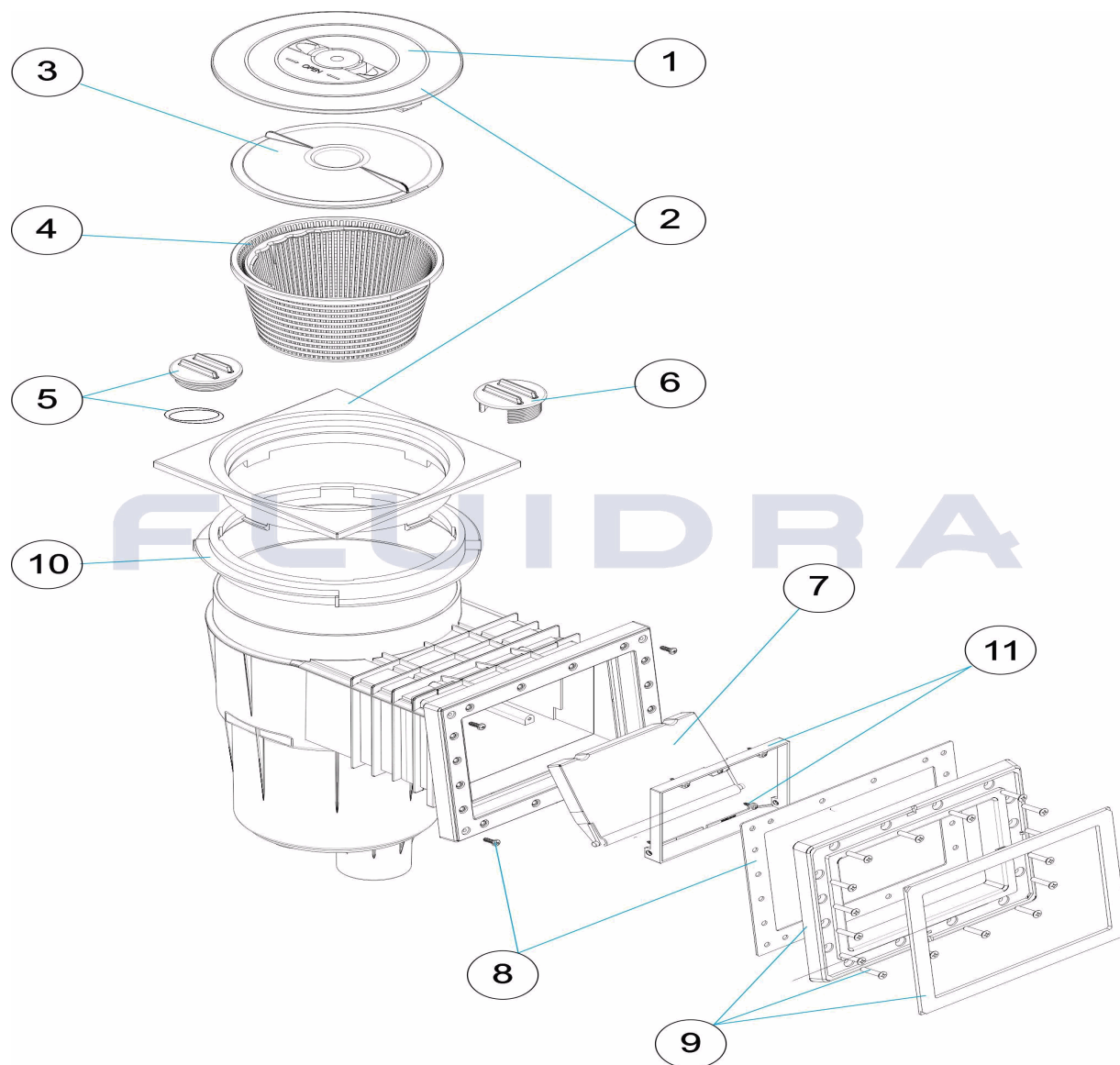


FRANCAIS

POS	CODE	DESCRIPTION	QUANTITE	POS	CODE	DESCRIPTION	QUANTITE
1	4402010509	COUVERCLE ROND DE SKIMMER		7	4402010501	VOLET DE SKIMMER	
2	4402010510	CADRE ET COUVERCLE ROND		8	4402014001	JOINT SKIM PETIT MODELE PISCINE LINER	
3	4402010505	COUVERCLE PANIER SKIMMER		9	4402014002	BRIDE ET CACHE VIS KIT LINER	
4	4402010504	PANIER SKIMMER 17,5 LTS		10	4402010506	CADRE REHAUSSE COUVERCLE	
5	4402010503	BOUCHON SKIMMER AVEC JOINT		11	4402010508	CADRE VOLET SKIMMER	
6	4402010502	BOUCHON REGULATEUR					

CODE **35664**

DESCRIPTION: **SKIMMER 17.5 LITRES STANDARD MOUTH**

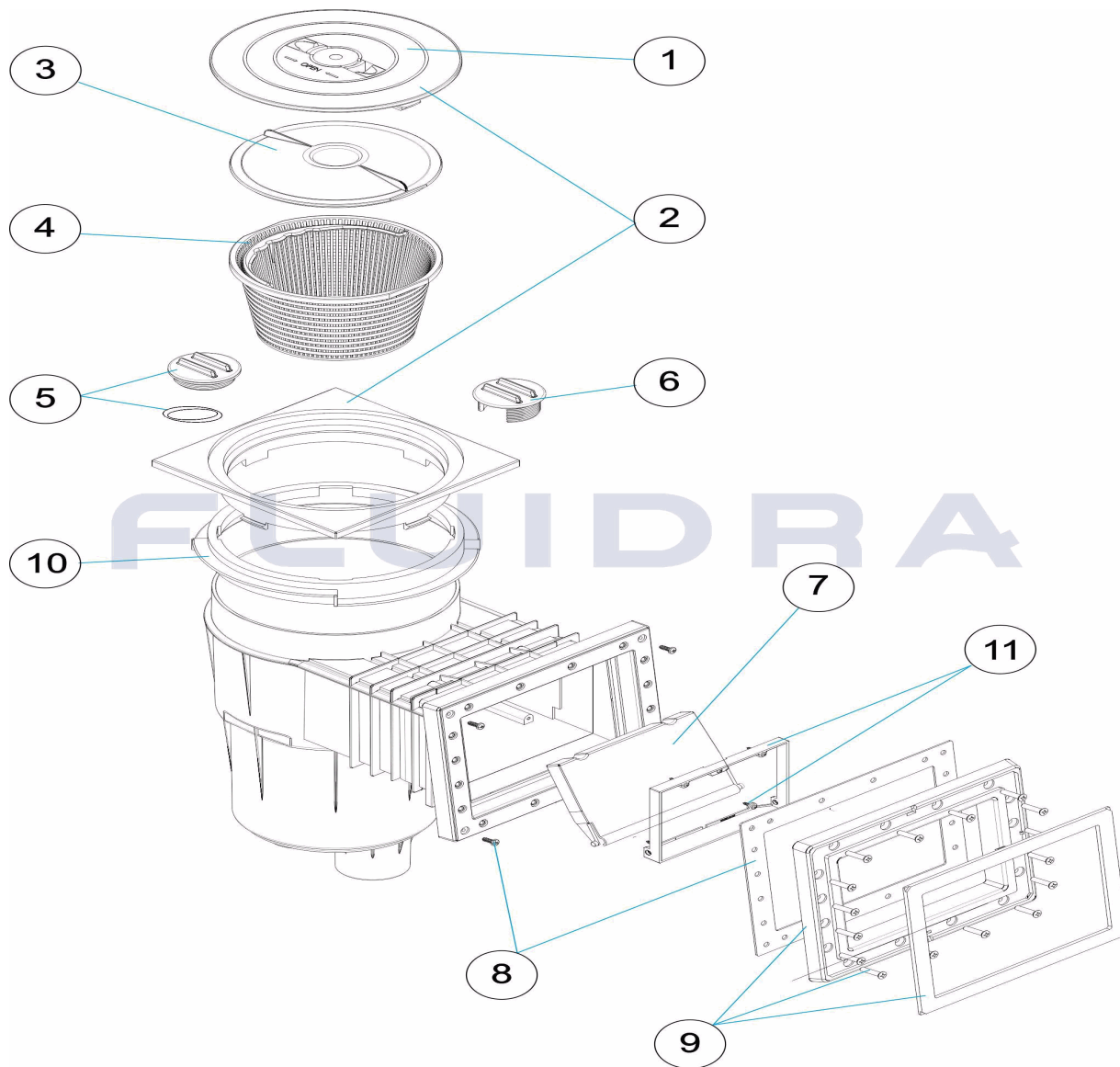


ENGLISH

POS	CODE	DESCRIPTION	QUANTITY	POS	CODE	DESCRIPTION	QUANTITY
1	4402010509	SKIMMER LID		7	4402010501	SKIMMER FLAP	
2	4402010510	SQUARE RIM AND LID		8	4402014001	SMALL SKIMMER GASKETS FOR LINER PO	
3	4402010505	VACUUM PLATE		9	4402014002	SMALL SKIMMER FRAME	
4	4402010504	BASKET 17,5 LITRES		10	4402010506	COLLAR EXTENSION RING	
5	4402010503	BLANKING PLUG AND 'O' RING		11	4402010508	FLAP FRAME	
6	4402010502	REGULATING PLUG					

CODICE **35664**

DESCRIZIONE: **SKIMMER 17,5 LITRI 6° BOCCA STANDARD**

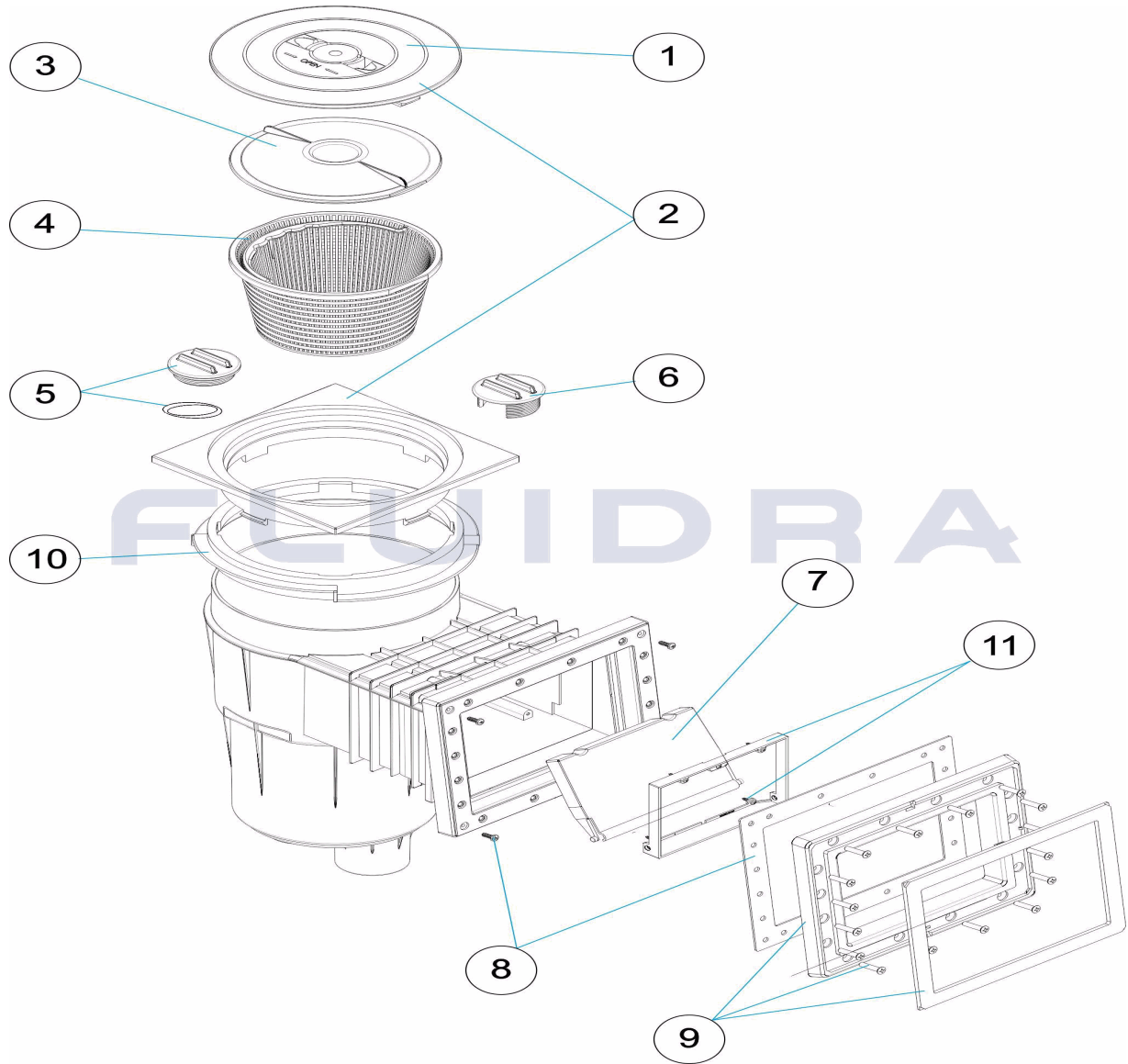


ITALIANO

POS	CODICE	DESCRIZIONE	QUANTITA'	POS	CODICE	DESCRIZIONE	QUANTITA'
1	4402010509	COPERCHIO SKIMMER		7	4402010501	BATTENTE SKIMMER CON CLIP	
2	4402010510	FLANGIA QUADRATA E COPERCHIO		8	4402014001	GUARNIZIONE PER SKIMMER BASE P.F.	
3	4402010505	COPERCHIO CESTELLO SKIMMER		9	4402014002	CORNICE PICCOLA SKIMMER	
4	4402010504	CESTELLO SKIMMER DA 17,5 LITRI		10	4402010506	ANELLO DISTANZIATORE SKIMMER	
5	4402010503	TAPPO CON GUARNIZIONE		11	4402010508	CORNICE BATTENTE SKIMMER	
6	4402010502	TAPPO DI REGOLAZIONE					

CODE **35664**

BESCHREIBUNG: **SKIMMER 17,5 L 6° EINLASS STANDARD**

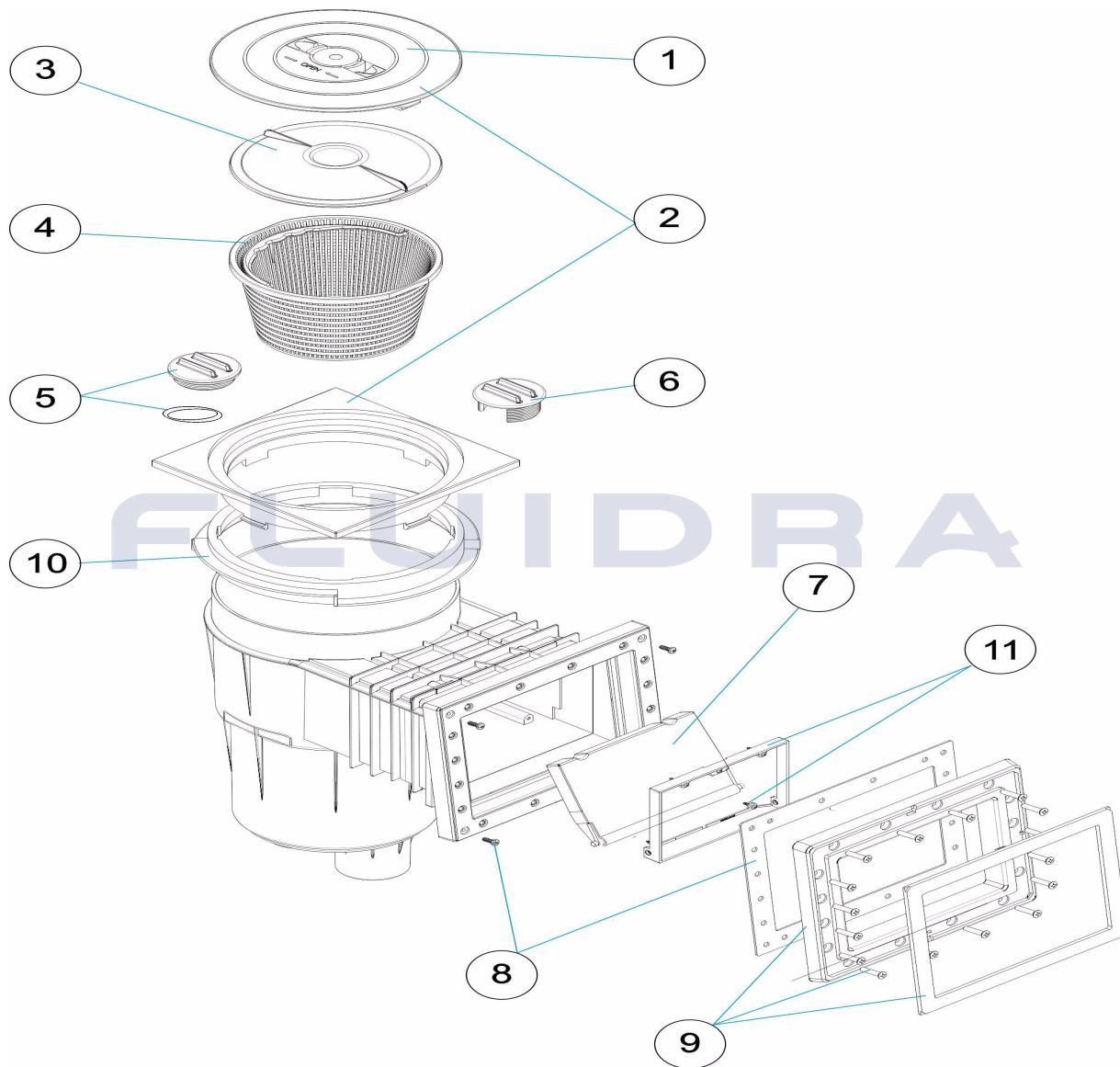


DEUTSCH

POS	CODE	BESCHREIBUNG	MENGE	POS	CODE	BESCHREIBUNG	MENGE
1	4402010509	SKIMMERDECKEL		7	4402010501	SKIMMERKLAPPE MIT CLIP	
2	4402010510	QUADRATISCHER RAHMEN UND ABDECKL		8	4402014001	DICHUNG SKIMMER KLEIN FERTIGBECKE	
3	4402010505	ABDECKUNG SKIMMKORB		9	4402014002	KLEINER SKIMMERRAHMEN	
4	4402010504	SKIMMERKORB 17,5 L		10	4402010506	DISTANZRING SKIMMER	
5	4402010503	STOPFEN UND DICHUNG		11	4402010508	RAHMEN SKIMMERKLAPPE	
6	4402010502	STOPFEN REGULIERUNG					

CODIGO **35664**

DESCRIÇÃO: **SKIMMER 17,5 LITROS 6º BOCA STANDARD**



PORTUGUES

POS	CODIGO	DESCRIÇÃO	JANTIDADE	POS	CODIGO	DESCRIÇÃO	JANTIDADE
1	4402010509	TAMPA SKIMMER		7	4402010501	COMPORTA SKIMMER CLIP	
2	4402010510	ARO QUADRADO E TAMPA		8	4402014001	JUNTA PEQUENA DE SKIMMER	
3	4402010505	TAMPA CESTO SKIMMER		9	4402014002	ARO PEQUENO SKIMMER	
4	4402010504	CESTO SKIMMER 17,5 LTS		10	4402010506	ANEL DISTANCIADOR SKIMMER	
5	4402010503	TAMPA COM JUNTA		11	4402010508	CAIXILHO COMPORTA SKIMMER	
6	4402010502	TAMPA REGULADORA					