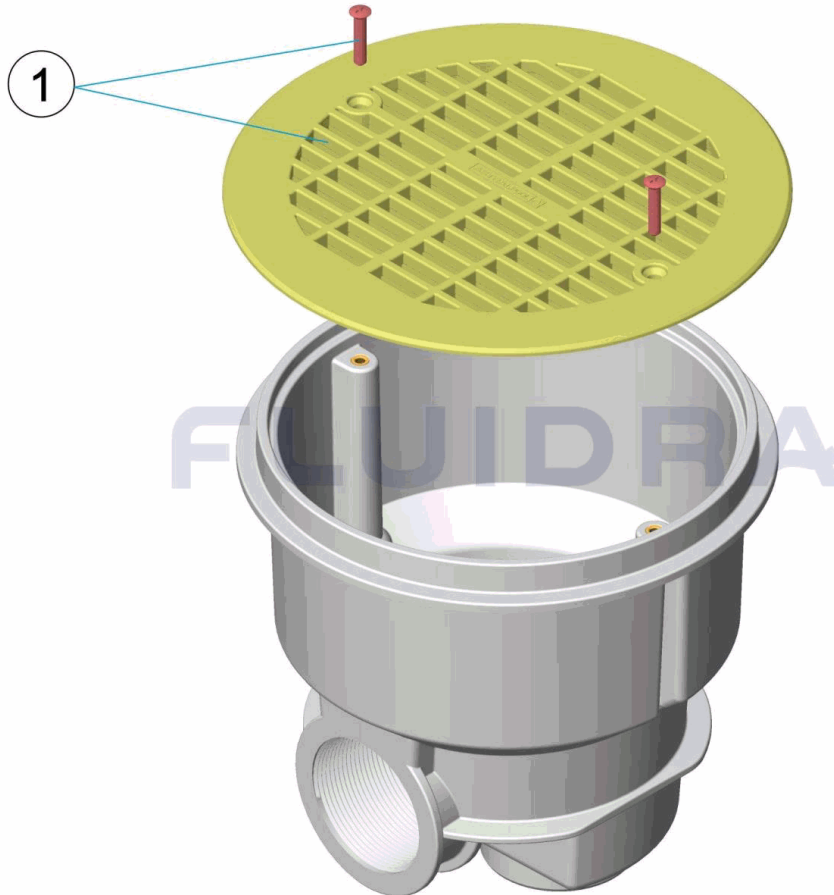


CODIGO **56378, 56378CL090, 56378CL129, 56378CL144**

DESCRIPCION: **SUMIDERO NORMA PH REJILLA PLANA**



ESPAÑOL

POS	CODIGO	DESCRIPCION	POS	CODIGO	DESCRIPCION
1	* 4402020005	REJILLA PLANA	1	* 4402020047	REJILLA PLANA
1	* 4402020046	REJILLA PLANA	1	* 4402020048	REJILLA PLANA

CODIGO **56378, 56378CL090, 56378CL129, 56378CL144**

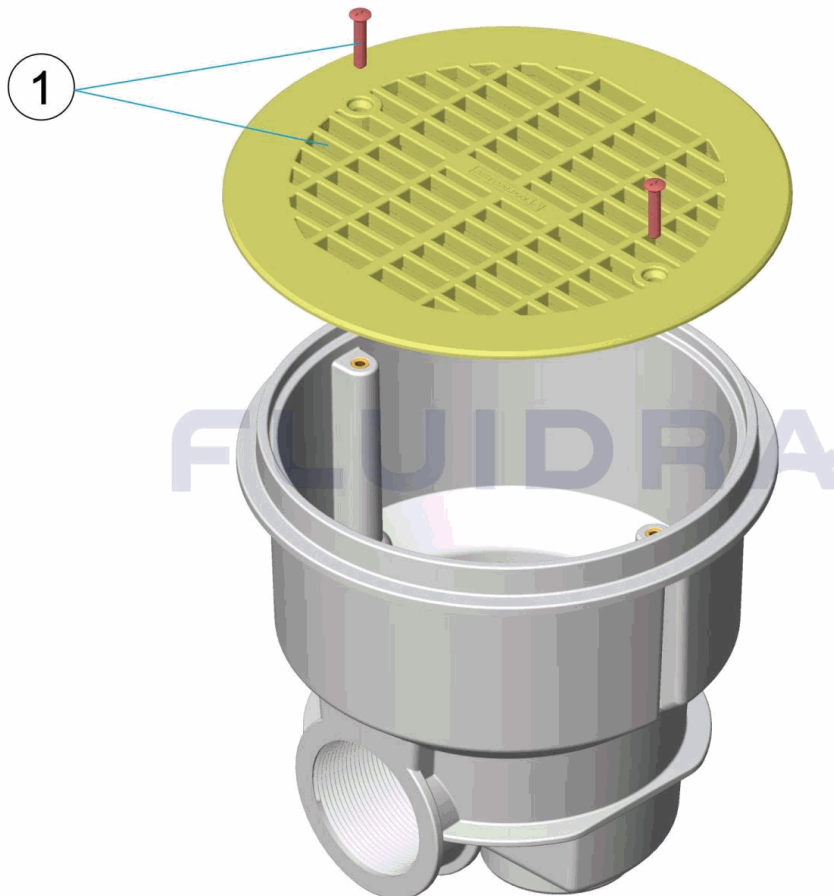
DESCRIPCION: SUMIDERO NORMA PH REJILLA PLANA

OBSERVACIONES

POS	CODIGO	OBSERVACIONES
1	4402020005	PARA: 56378 BLANCO / WHITE
1	4402020046	PARA: 56378CL090 BEIGE
1	4402020047	PARA: 56378CL129 GRIS / GREY
1	4402020048	PARA: 56378CL144 ANTRACITA / ANTHRACITE

CODE **56378, 56378CL090, 56378CL129, 56378CL144**

DESCRIPTION: **BONDE NORMA PISC. BÉTON GRILLE PLATE**



FRANCAIS

POS	CODE	DESCRIPTION	POS	CODE	DESCRIPTION
1	* 4402020005	GRILLE PLATE	1	* 4402020047	GRILLE PLATE
1	* 4402020046	GRILLE PLATE	1	* 4402020048	GRILLE PLATE

CODE **56378, 56378CL090, 56378CL129, 56378CL144**

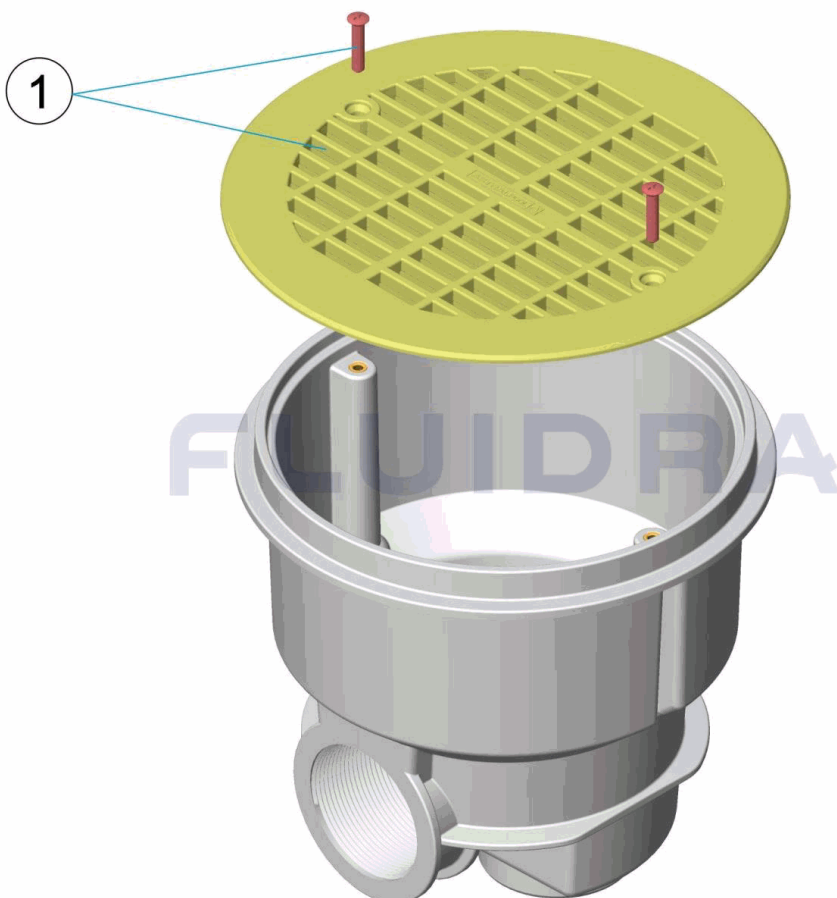
DESCRIPTION: **BONDE NORMA PISC. BÉTON GRILLE PLATE**

OBSERVATIONS

POS	CODE	OBSERVATIONS
1	4402020005	POUR: 56378 BLANCO / WHITE
1	4402020046	POUR: 56378CL090 BEIGE
1	4402020047	POUR: 56378CL129 GRIS / GREY
1	4402020048	POUR: 56378CL144 ANTRACITA / ANTHRACITE

CODE **56378, 56378CL090, 56378CL129, 56378CL144**

DESCRIPTION: **NORMA DRAIN CONCRETE POOL FLAT GRILLE**



ENGLISH

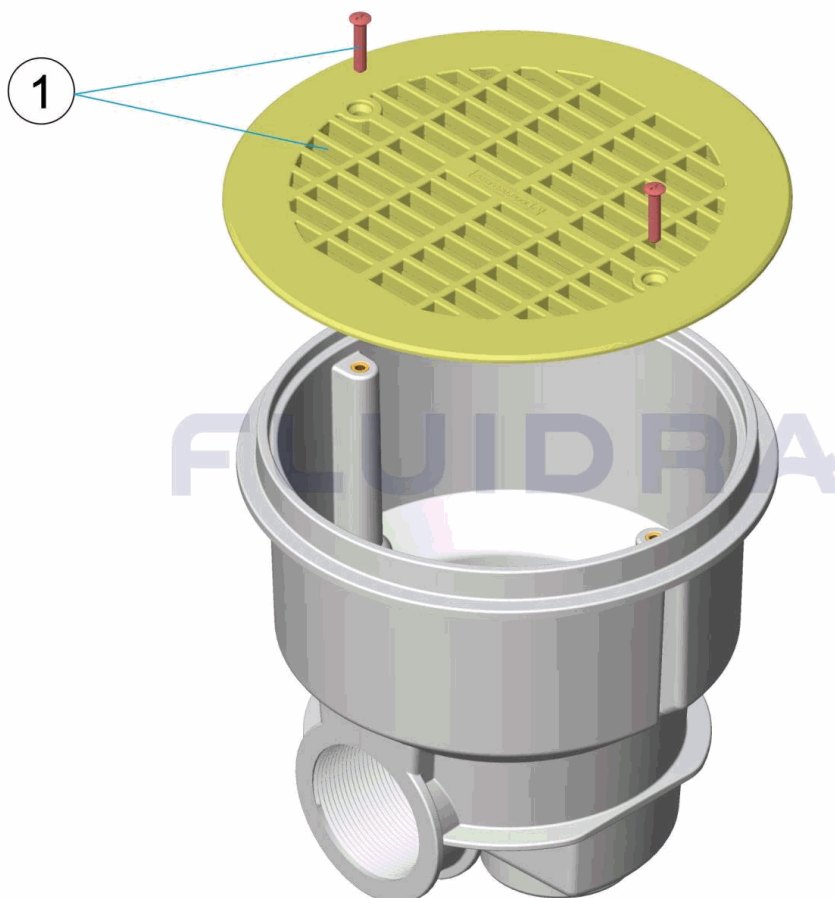
POS	CODE	DESCRIPTION	POS	CODE	DESCRIPTION
1	* 4402020005	FLAT GRILLE	1	* 4402020047	FLAT GRILLE
1	* 4402020046	FLAT GRILLE	1	* 4402020048	FLAT GRILLE

CODE **56378, 56378CL090, 56378CL129, 56378CL144**DESCRIPTION: **NORMA DRAIN CONCRETE POOL FLAT GRILLE****OBSERVATIONS**

POS	CODE	OBSERVATIONS
1	4402020005	FOR: 56378 BLANCO / WHITE
1	4402020046	FOR: 56378CL090 BEIGE
1	4402020047	FOR: 56378CL129 GRIS / GREY
1	4402020048	FOR: 56378CL144 ANTRACITA / ANTHRACITE

CODICE **56378, 56378CL090, 56378CL129, 56378CL144**

DESCRIZIONE: **SCOLO NORMA PISC. CEMENTO. GRIGLIA PIANA**



ITALIANO

POS	CODICE	DESCRIZIONE	POS	CODICE	DESCRIZIONE
1	* 4402020005	GRIGLIA PIANA	1	* 4402020047	GRIGLIA PIANA
1	* 4402020046	GRIGLIA PIANA	1	* 4402020048	GRIGLIA PIANA

CODICE **56378, 56378CL090, 56378CL129, 56378CL144**

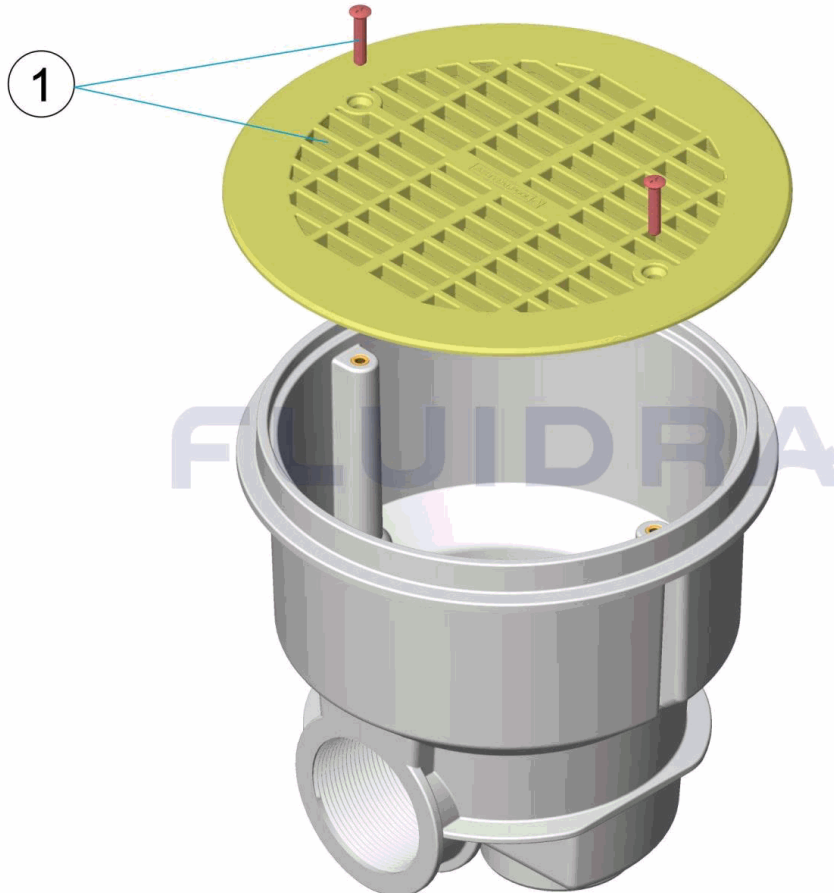
DESCRIZIONE: SCOLO NORMA PISC. CEMENTO. GRIGLIA PIANA

OSSERVAZIONI

POS	CODICE	OSSERVAZIONI
1	4402020005	PER: 56378 BLANCO / WHITE
1	4402020046	PER: 56378CL090 BEIGE
1	4402020047	PER: 56378CL129 GRIS / GREY
1	4402020048	PER: 56378CL144 ANTRACITA / ANTHRACITE

CODE **56378, 56378CL090, 56378CL129, 56378CL144**

BESCHREIBUNG: **ABFLUSS NORMA PH GITTER FLACH**



DEUTSCH

POS	CODE	BESCHREIBUNG	POS	CODE	BESCHREIBUNG
1	* 4402020005	GITTER FLACH	1	* 4402020047	GITTER FLACH
1	* 4402020046	GITTER FLACH	1	* 4402020048	GITTER FLACH

CODE **56378, 56378CL090, 56378CL129, 56378CL144**

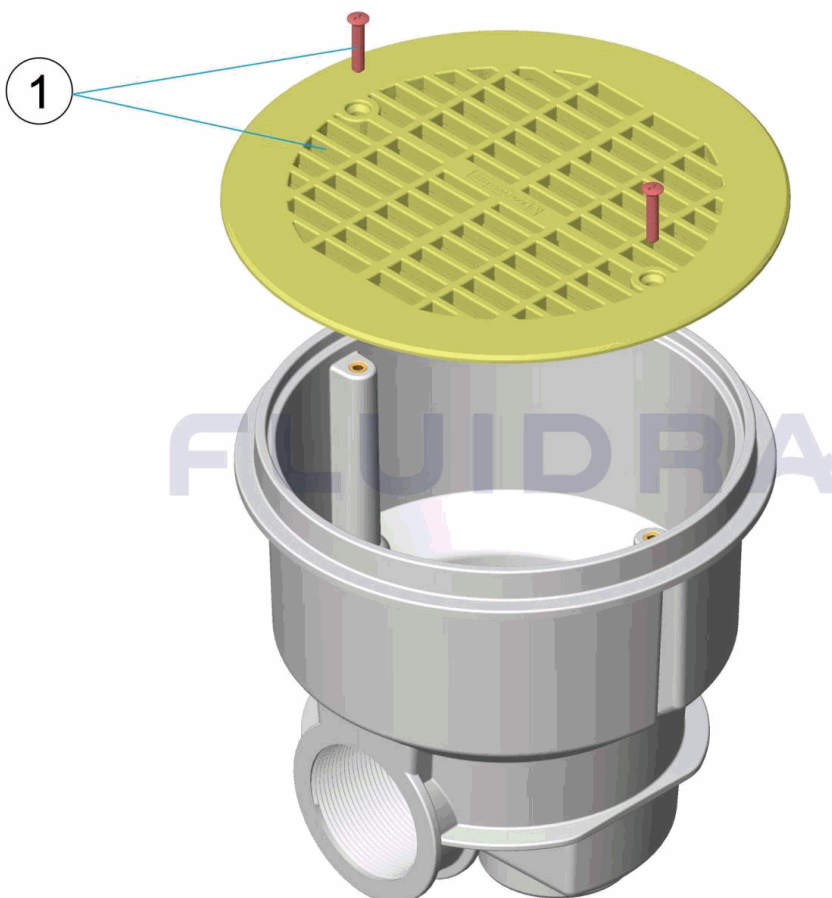
BESCHREIBUNG: **ABFLUSS NORMA PH GITTER FLACH**

HINWEISE

POS	CODE	HINWEISE
1	4402020005	FÜR: 56378 BLANCO / WHITE
1	4402020046	FÜR: 56378CL090 BEIGE
1	4402020047	FÜR: 56378CL129 GRIS / GREY
1	4402020048	FÜR: 56378CL144 ANTRACITA / ANTHRACITE

CODIGO **56378, 56378CL090, 56378CL129, 56378CL144**

DESCRIÇÃO: RALO NORMA PIS. BETÃO GRADE PLANA



PORTUGUES

POS	CODIGO	DESCRIÇÃO	POS	CODIGO	DESCRIÇÃO
1	* 4402020005	GRELHA PLANA	1	* 4402020047	GRELHA PLANA
1	* 4402020046	GRELHA PLANA	1	* 4402020048	GRELHA PLANA

CODIGO 56378, 56378CL090, 56378CL129, 56378CL144

DESCRIÇÃO: RALO NORMA PIS. BETÃO GRADE PLANA

OBSERVAÇÕES

POS	CODIGO	OBSERVAÇÕES
1	4402020005	PARA: 56378 BLANCO / WHITE
1	4402020046	PARA: 56378CL090 BEIGE
1	4402020047	PARA: 56378CL129 GRIS / GREY
1	4402020048	PARA: 56378CL144 ANTRACITA / ANTHRACITE