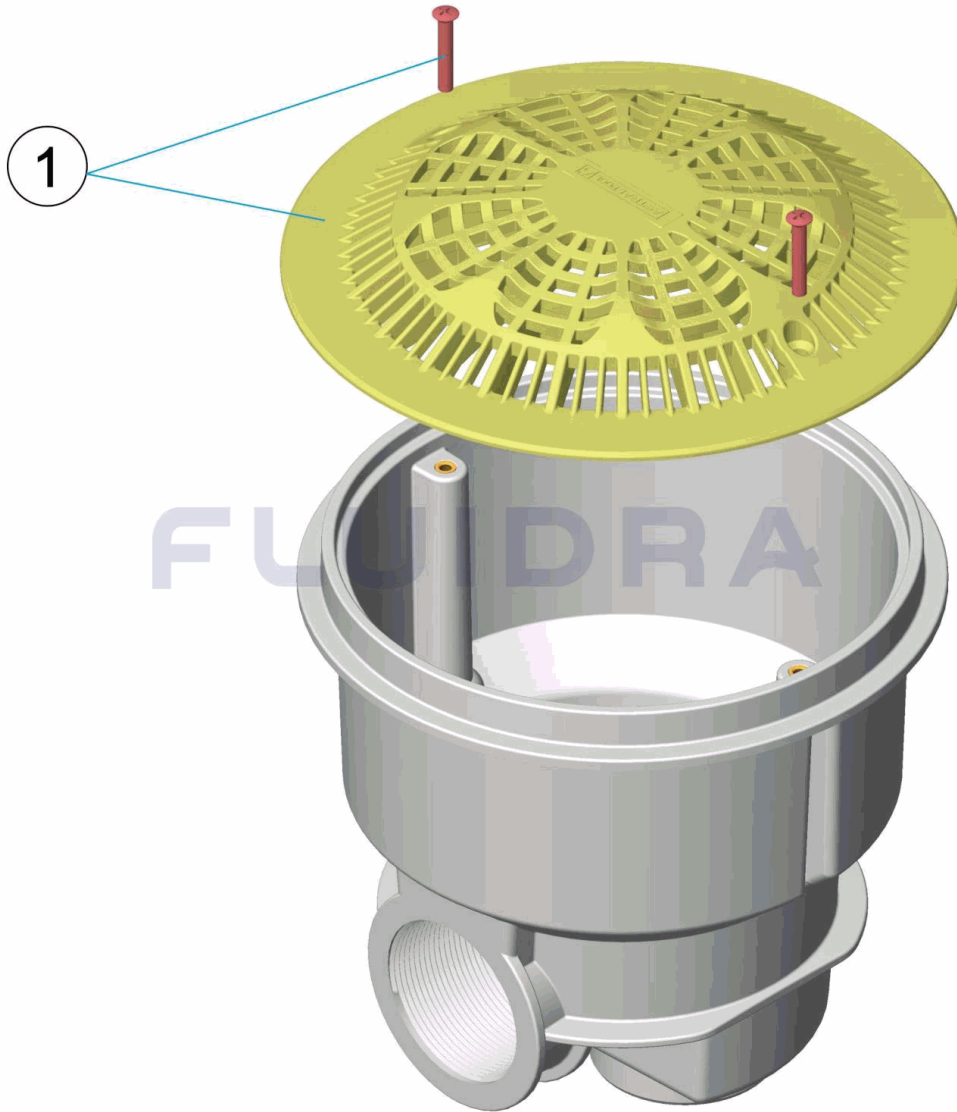


CODIGO **56379, 56379CL090, 56379CL129, 56379CL144**

DESCRIPCION: **SUMIDERO NORMA PH. REJILLA SEGURIDAD**



**ESPAÑOL**

POS	CODIGO	DESCRIPCION	CANTIDAD	POS	CODIGO	DESCRIPCION	CANTIDAD
1	* 4402020006	REJILLA SUMIDERO SEGURIDAD		1	* 4402020050	REJILLA SUMIDERO SEGURIDAD	
1	* 4402020049	REJILLA SUMIDERO SEGURIDAD		1	* 4402020051	REJILLA SUMIDERO SEGURIDAD	

**CODIGO 56379, 56379CL090, 56379CL129, 56379CL144**

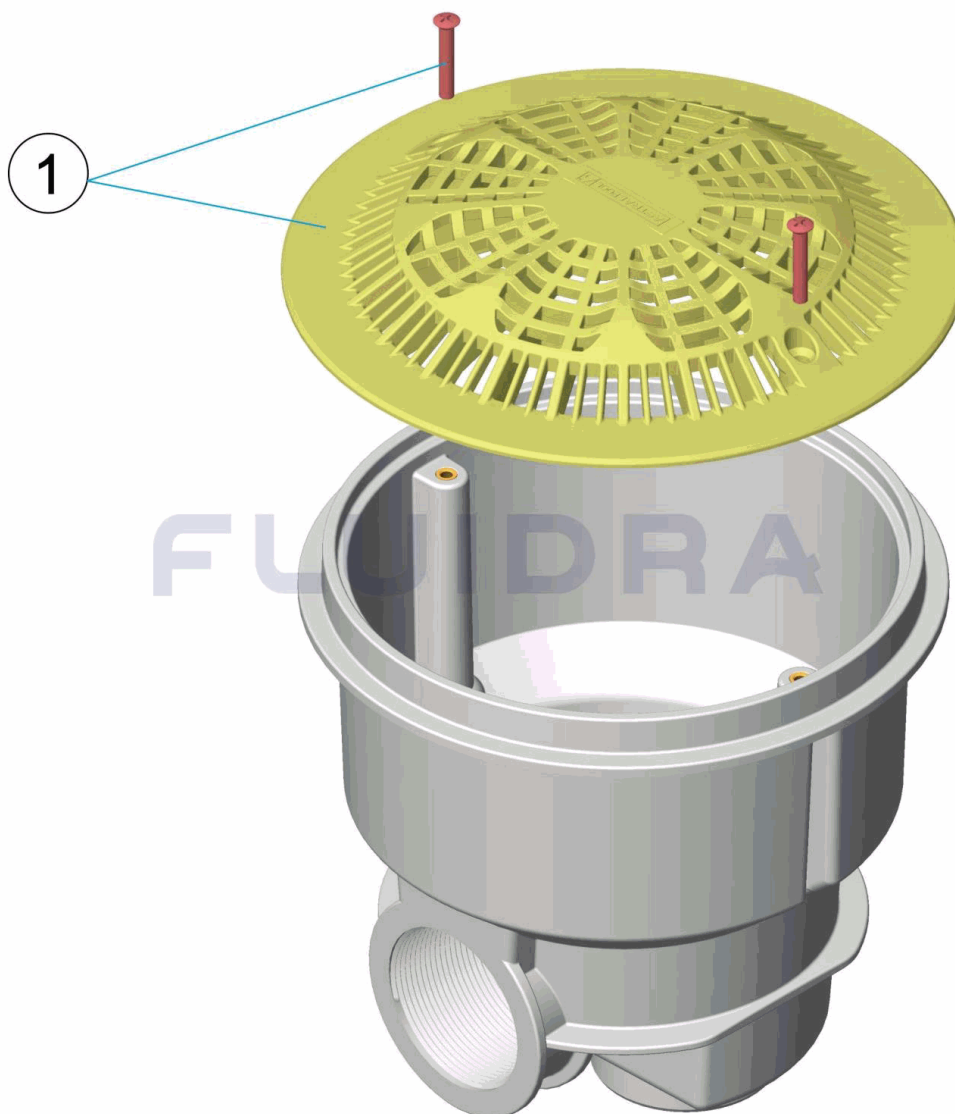
**DESCRIPCION: SUMIDERO NORMA PH. REJILLA SEGURIDAD**

## OBSERVACIONES

POS	CODIGO	OBSERVACIONES
1	4402020006	PARA: 56379 BLANCO / WHITE
1	4402020049	PARA: 56379CL090 BEIGE
1	4402020050	PARA: 56379CL129 GRIS / GREY
1	4402020051	PARA: 56379CL144 ANTRACITA / ANTHRACITE

CODE **56379, 56379CL090, 56379CL129, 56379CL144**

DESCRIPTION: **BONDE NORMA PISC. BÉTON GRILLE SÉCURITÉ**



**FRANCAIS**

POS	CODE	DESCRIPTION	QUANTITE	POS	CODE	DESCRIPTION	QUANTITE
1	* 4402020006	GRILLE BONDE SÉCURITÉ		1	* 4402020050	GRILLE BONDE SÉCURITÉ	
1	* 4402020049	GRILLE BONDE SÉCURITÉ		1	* 4402020051	GRILLE BONDE SÉCURITÉ	

CODE **56379, 56379CL090, 56379CL129, 56379CL144**

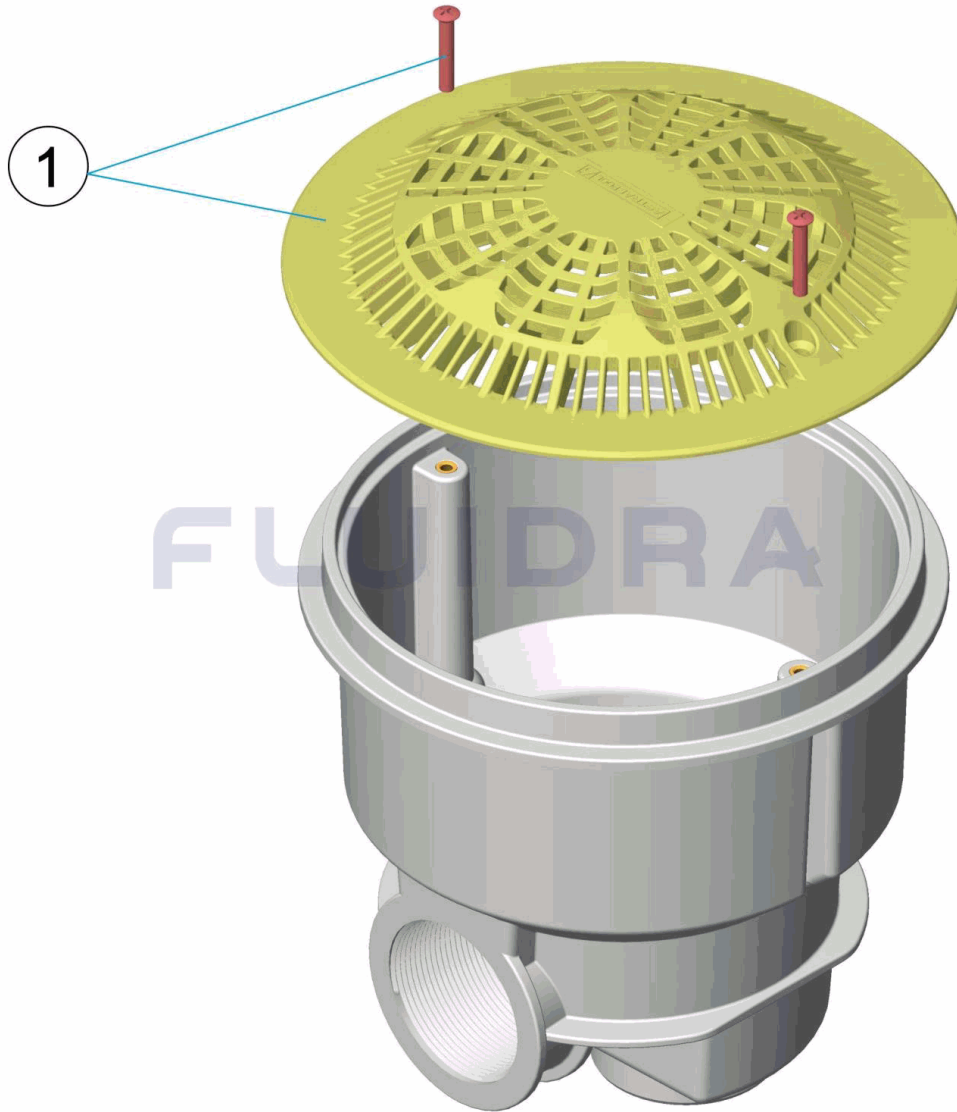
DESCRIPTION: **BONDE NORMA PISC. BÉTON GRILLE SÉCURITÉ**

**OBSERVATIONS**

POS	CODE	OBSERVATIONS
1	4402020006	POUR: 56379 BLANCO / WHITE
1	4402020049	POUR: 56379CL090 BEIGE
1	4402020050	POUR: 56379CL129 GRIS / GREY
1	4402020051	POUR: 56379CL144 ANTRACITA / ANTHRACITE

CODE **56379, 56379CL090, 56379CL129, 56379CL144**

DESCRIPTION: **NORMA DRAIN CONCRETE POOL SAFETY GRILLE**



**ENGLISH**

POS	CODE	DESCRIPTION	QUANTITY	POS	CODE	DESCRIPTION	QUANTITY
1	* 4402020006	SAFETY DRAIN GRILLE		1	* 4402020050	SAFETY DRAIN GRILLE	
1	* 4402020049	SAFETY DRAIN GRILLE		1	* 4402020051	SAFETY DRAIN GRILLE	

CODE **56379, 56379CL090, 56379CL129, 56379CL144**

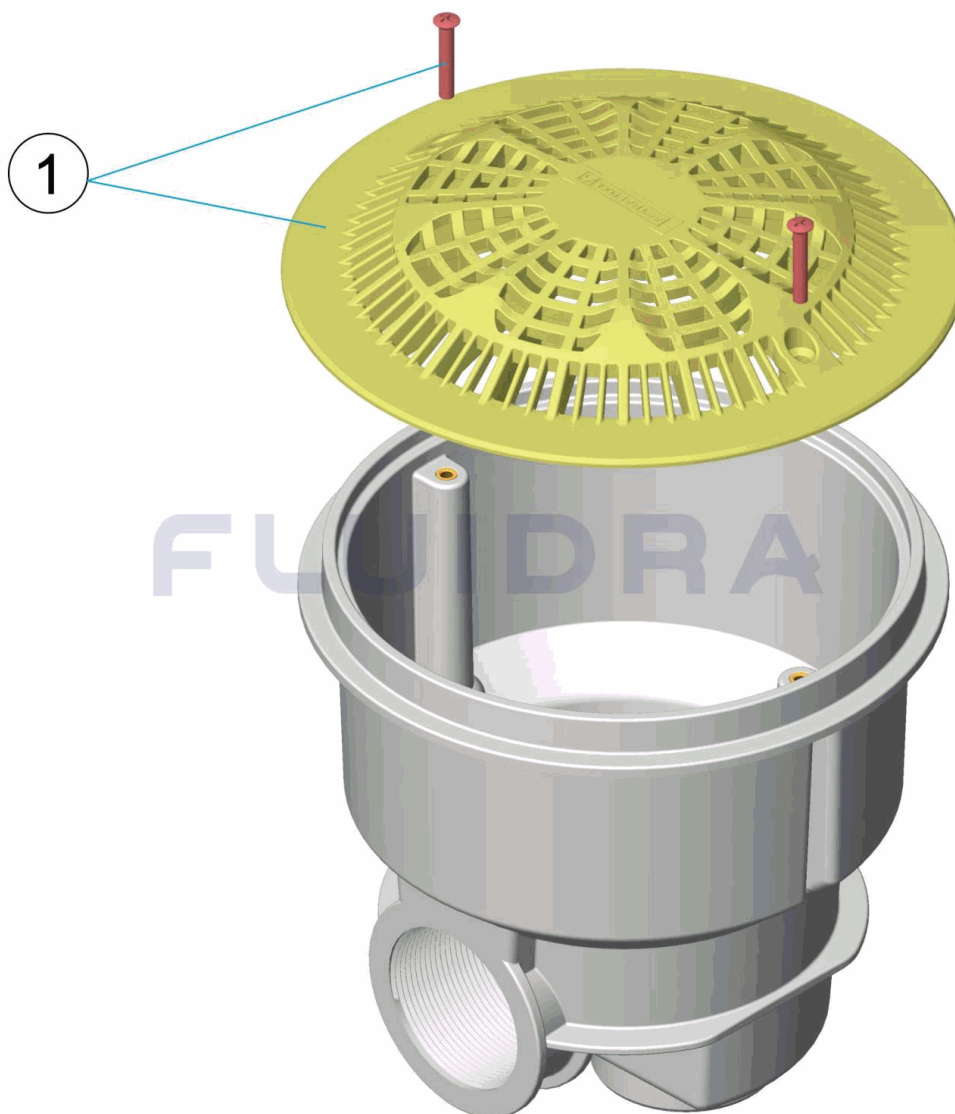
DESCRIPTION: **NORMA DRAIN CONCRETE POOL SAFETY GRILLE**

### OBSERVATIONS

POS	CODE	OBSERVATIONS
1	4402020006	FOR: 56379 BLANCO / WHITE
1	4402020049	FOR: 56379CL090 BEIGE
1	4402020050	FOR: 56379CL129 GRIS / GREY
1	4402020051	FOR: 56379CL144 ANTRACITA / ANTHRACITE

CODICE **56379, 56379CL090, 56379CL129, 56379CL144**

DESCRIZIONE: **SCOLO NORMA PISC. CEMENTO. GRIGLIA DI SICUREZZA**



**ITALIANO**

POS	CODICE	DESCRIZIONE	QUANTITA'	POS	CODICE	DESCRIZIONE	QUANTITA'
1	* 4402020006	GRIGLIA SCOLO DI SICUREZZA		1	* 4402020050	GRIGLIA SCOLO DI SICUREZZA	
1	* 4402020049	GRIGLIA SCOLO DI SICUREZZA		1	* 4402020051	GRIGLIA SCOLO DI SICUREZZA	

**CODICE**                    **56379, 56379CL090, 56379CL129, 56379CL144**

**DESCRIZIONE: SCOLO NORMA PISC. CEMENTO. GRIGLIA DI SICUREZZA**

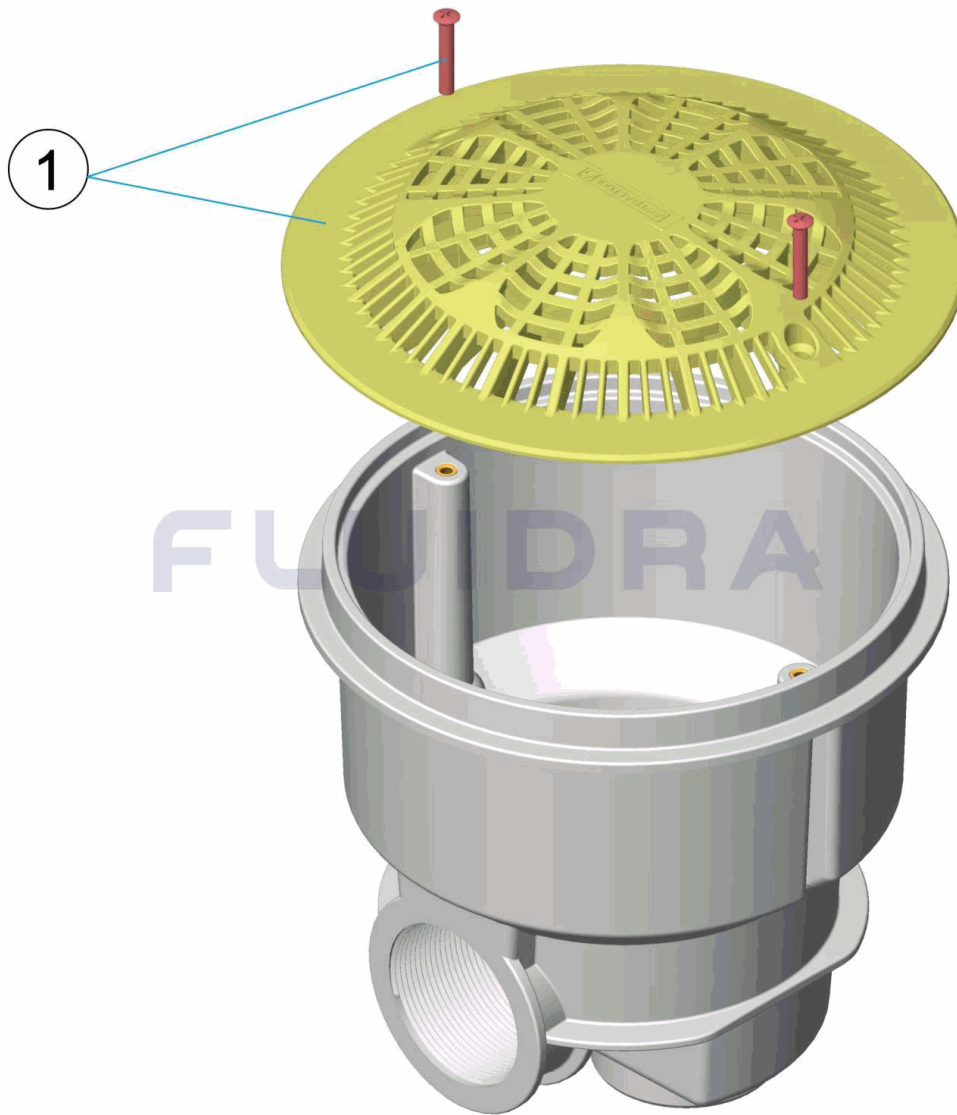
## OSSERVAZIONI

POS	CODICE	OSSERVAZIONI
1	4402020006	PER: 56379 BLANCO / WHITE
1	4402020049	PER: 56379CL090 BEIGE
1	4402020050	PER: 56379CL129 GRIS / GREY
1	4402020051	PER: 56379CL144 ANTRACITA / ANTHRACITE



CODE **56379, 56379CL090, 56379CL129, 56379CL144**

BESCHREIBUNG: **ABFLUSS NORMA PH. SCHUTZGITTER**



**DEUTSCH**

POS	CODE	BESCHREIBUNG	MENGE	POS	CODE	BESCHREIBUNG	MENGE
1	* 4402020006	SICHERHEITSGITTER ABFLUSS		1	* 4402020050	SICHERHEITSGITTER ABFLUSS	
1	* 4402020049	SICHERHEITSGITTER ABFLUSS		1	* 4402020051	SICHERHEITSGITTER ABFLUSS	

CODE **56379, 56379CL090, 56379CL129, 56379CL144**

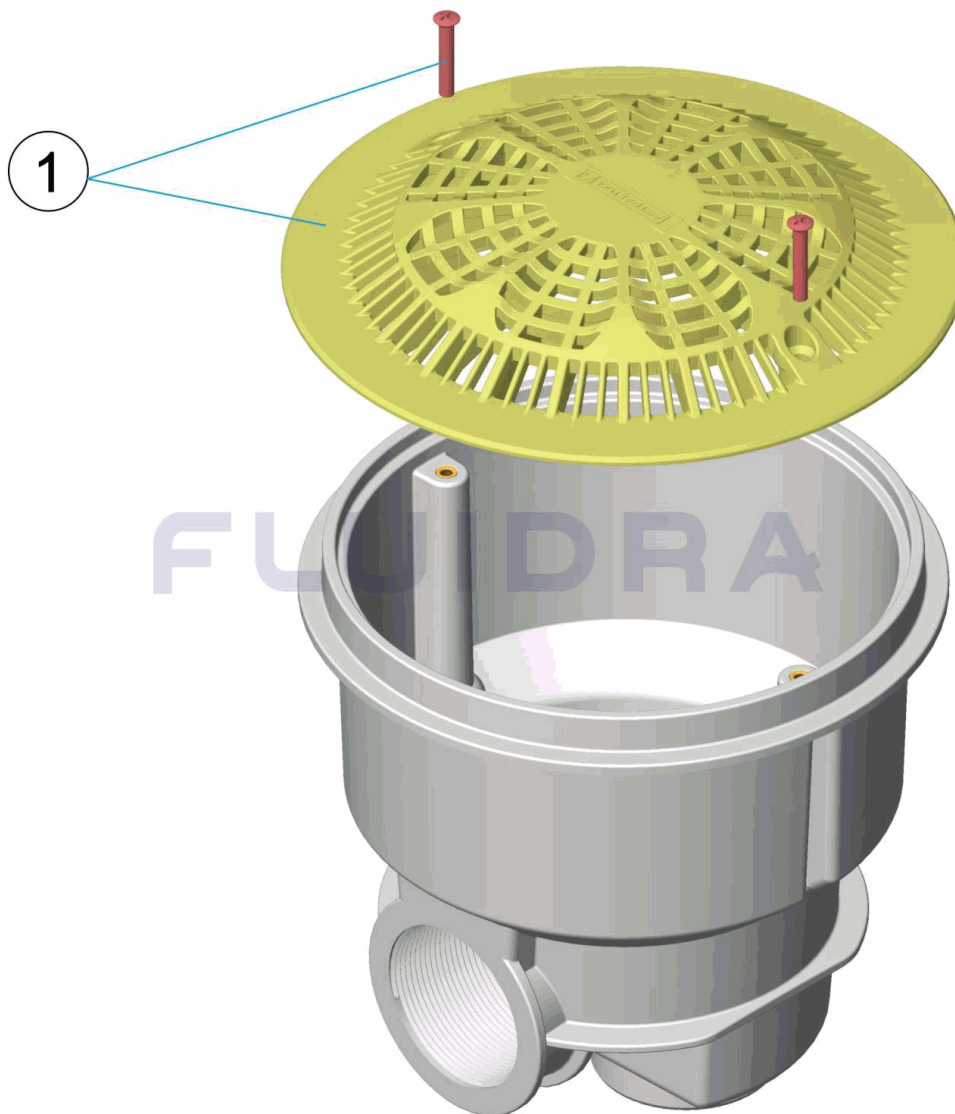
BESCHREIBUNG: **ABFLUSS NORMA PH. SCHUTZGITTER**

## HINWEISE

POS	CODE	HINWEISE
1	4402020006	FÜR: 56379 BLANCO / WHITE
1	4402020049	FÜR: 56379CL090 BEIGE
1	4402020050	FÜR: 56379CL129 GRIS / GREY
1	4402020051	FÜR: 56379CL144 ANTRACITA / ANTHRACITE

CODIGO **56379, 56379CL090, 56379CL129, 56379CL144**

DESCRIÇÃO: **RALO NORMA PIS. BETÃO GRADE SEGURANÇA**



**PORTUGUES**

POS	CODIGO	DESCRIÇÃO	QUANTIDADE	POS	CODIGO	DESCRIÇÃO	QUANTIDADE
1	* 4402020006	GRADE RALO SEGURANÇA		1	* 4402020050	GRADE RALO SEGURANÇA	
1	* 4402020049	GRADE RALO SEGURANÇA		1	* 4402020051	GRADE RALO SEGURANÇA	

**CODIGO 56379, 56379CL090, 56379CL129, 56379CL144**

**DESCRIÇÃO: RALO NORMA PIS. BETÃO GRADE SEGURANÇA**

## OBSERVAÇÕES

POS	CODIGO	OBSERVAÇÕES
1	4402020006	PARA: 56379 BLANCO / WHITE
1	4402020049	PARA: 56379CL090 BEIGE
1	4402020050	PARA: 56379CL129 GRIS / GREY
1	4402020051	PARA: 56379CL144 ANTRACITA / ANTHRACITE