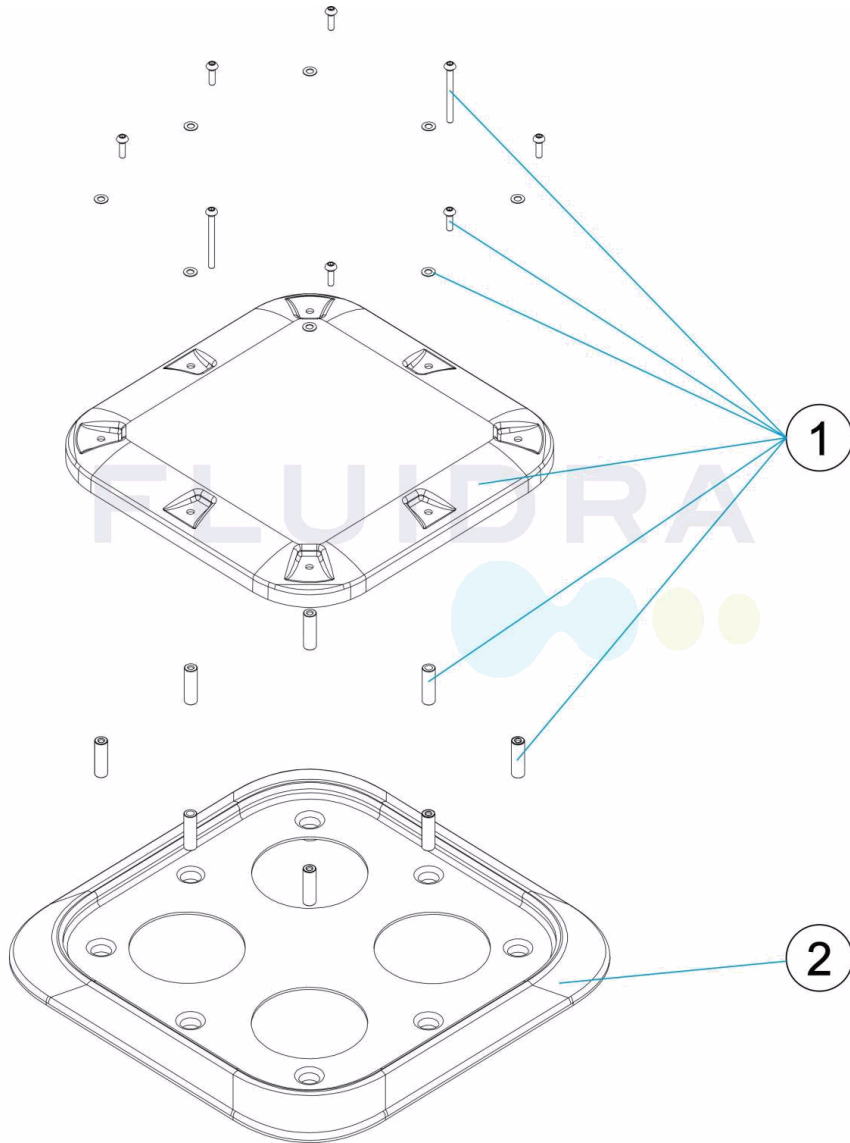


CODIGO **28556**

DESCRIPCION: **SUMIDERO TAPA ANTIVORTEX**

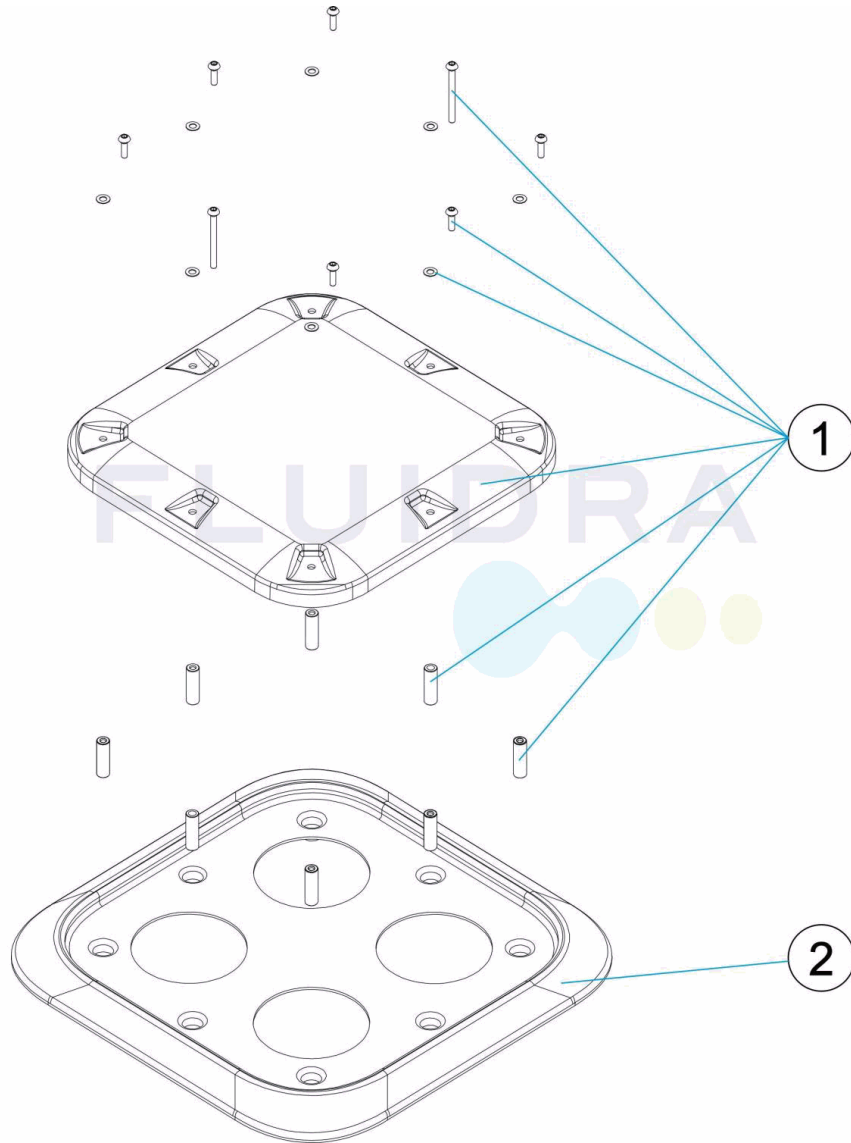


**ESPAÑOL**

POS	CODIGO	DESCRIPCION	POS	CODIGO	DESCRIPCION
1	4402023002	CJTO. CUERPO SUPERIOR	2	4402023001	CUERPO INFERIOR

CODE **28556**

DESCRIPTION: **BONDE COUVERCLE ANTI-VORTEX**

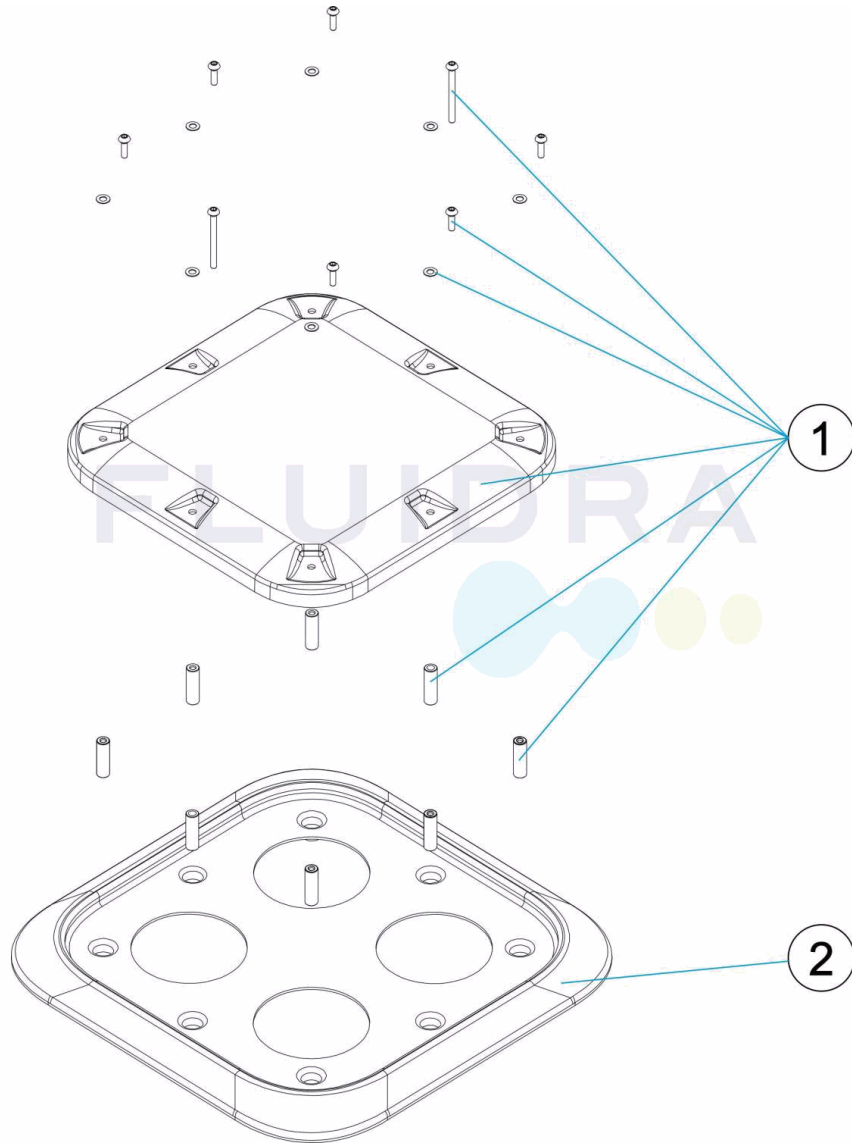


**FRANCAIS**

POS	CODE	DESCRIPTION	POS	CODE	DESCRIPTION
1	4402023002	ENSEMBLE CORPS SUPERIEUR	2	4402023001	CORPS INFERIEUR

CODE **28556**

DESCRIPTION: **ANTI-VORTEX GRADE DRAIN COVER**

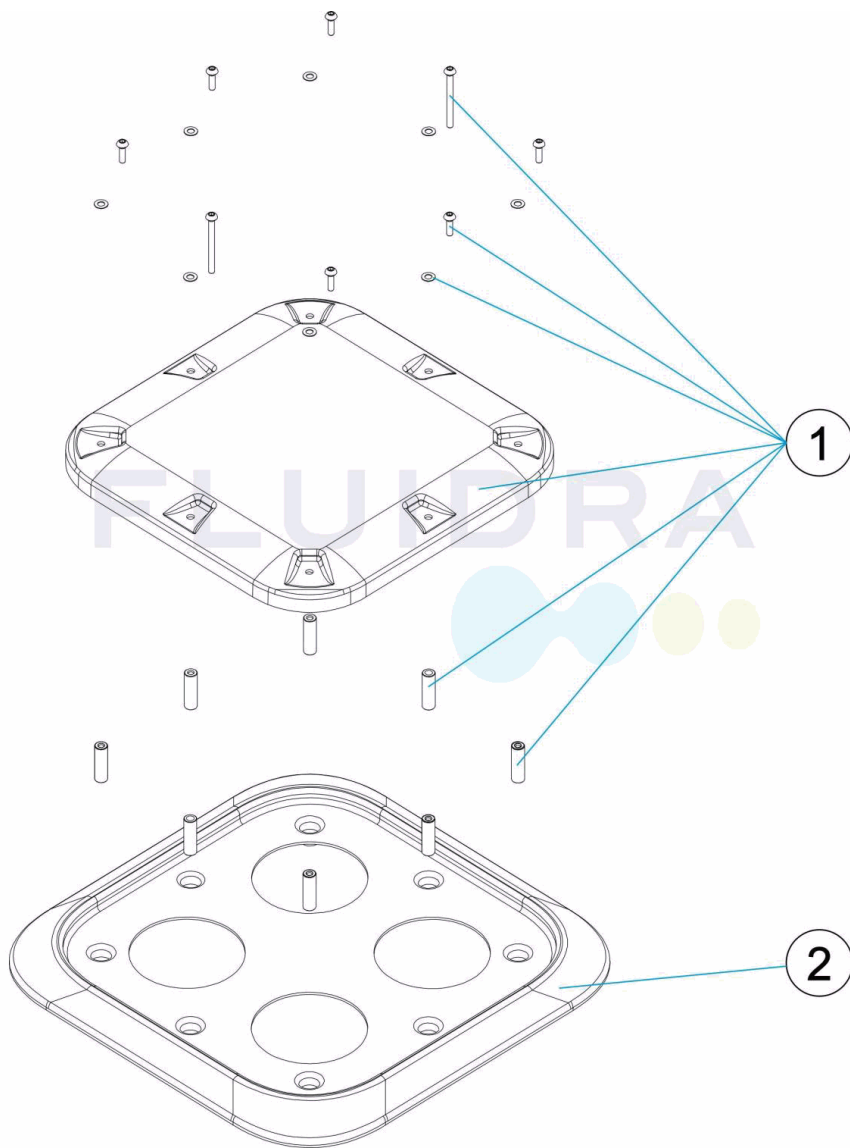


**ENGLISH**

POS	CODE	DESCRIPTION	POS	CODE	DESCRIPTION
1	4402023002	UPPER BODY	2	4402023001	LOWER BODY

CODICE **28556**

DESCRIZIONE: **SCOLATOIO TAPPO ANTIVORTEX**

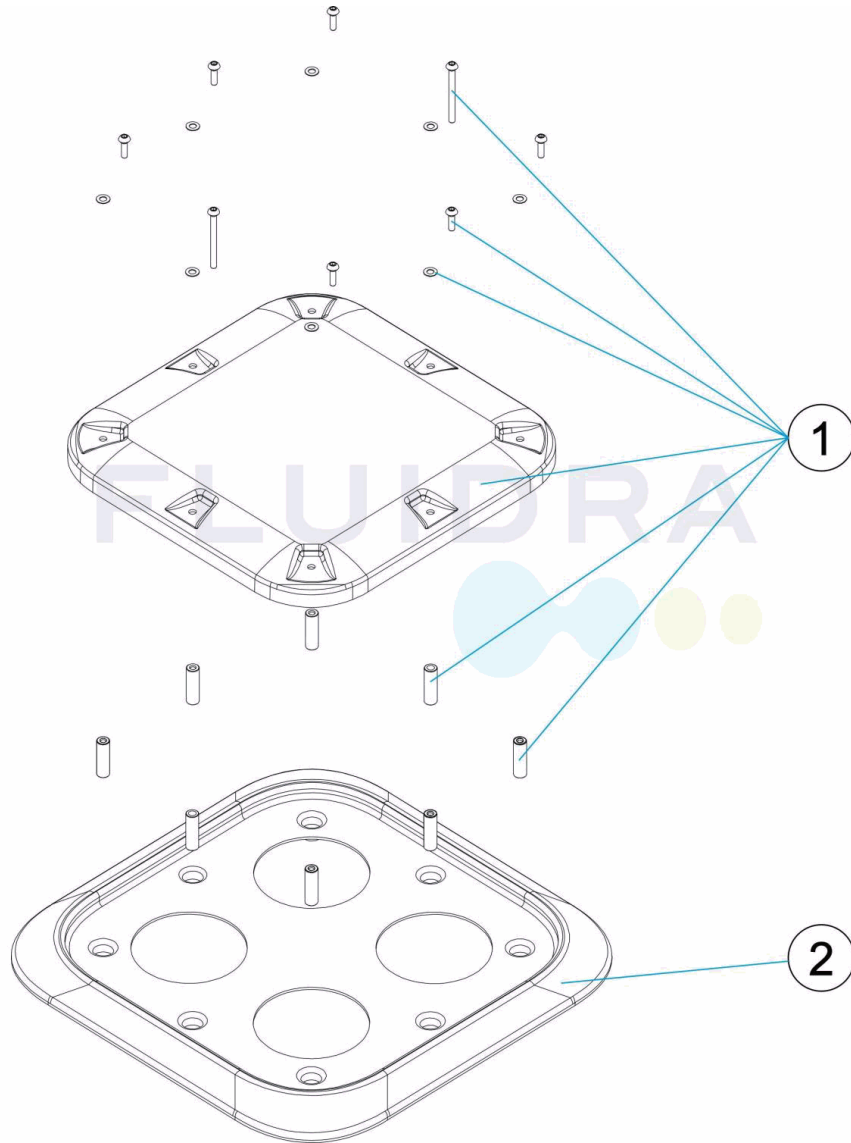


**ITALIANO**

POS	CODICE	DESCRIZIONE	POS	CODICE	DESCRIZIONE
1	4402023002	KIT CORPO SUPERIORE	2	4402023001	CORPO INFERIORE

CODE **28556**

BESCHREIBUNG: **ABFLUSS ABDECKUNG ANTI-WIRBEL**

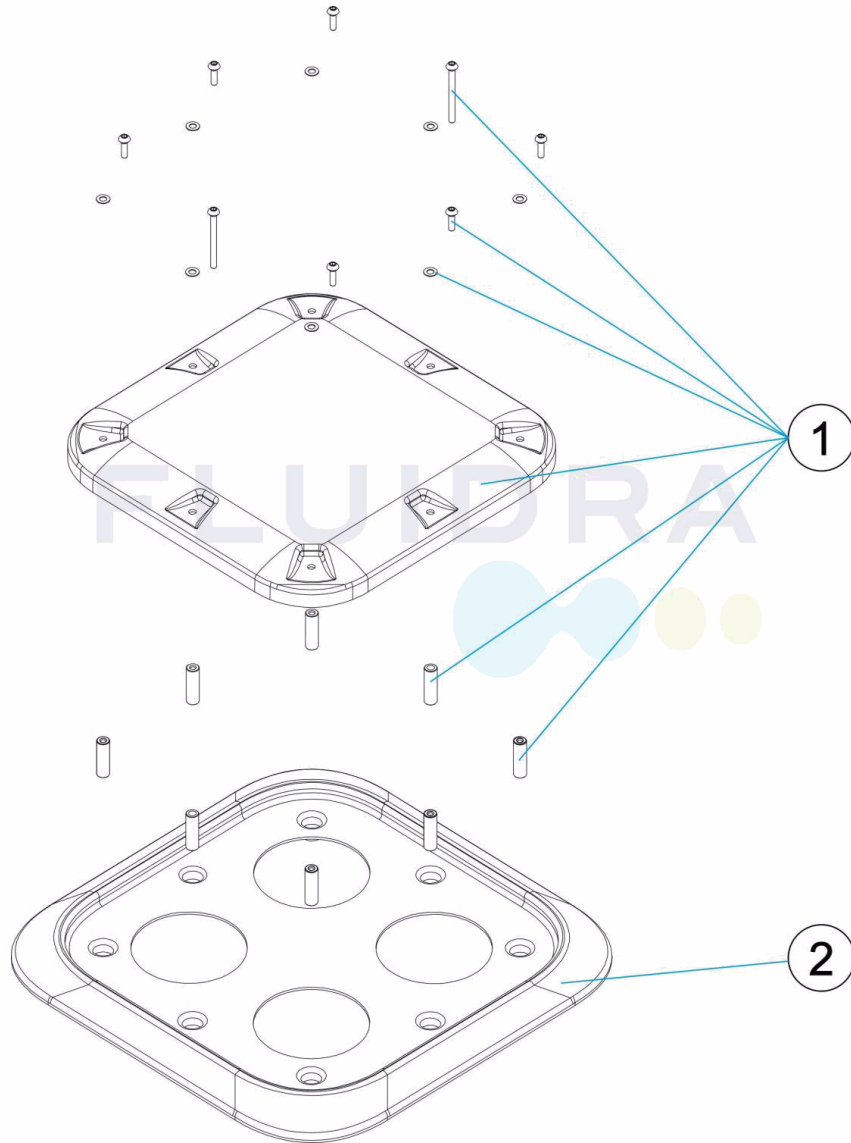


**DEUTSCH**

POS	CODE	BESCHREIBUNG	POS	CODE	BESCHREIBUNG
1	4402023002	SET OBERES GEHÄUSE	2	4402023001	UNTERES GEHÄUSE

CODIGO **28556**

DESCRIÇÃO: **ESGOTO TAMPA ANTI-VORTEX**



**PORTUGUES**

POS	CODIGO	DESCRIÇÃO	POS	CODIGO	DESCRIÇÃO
1	4402023002	CJTO. CORPO SUPERIOR	2	4402023001	CORPO INFERIOR