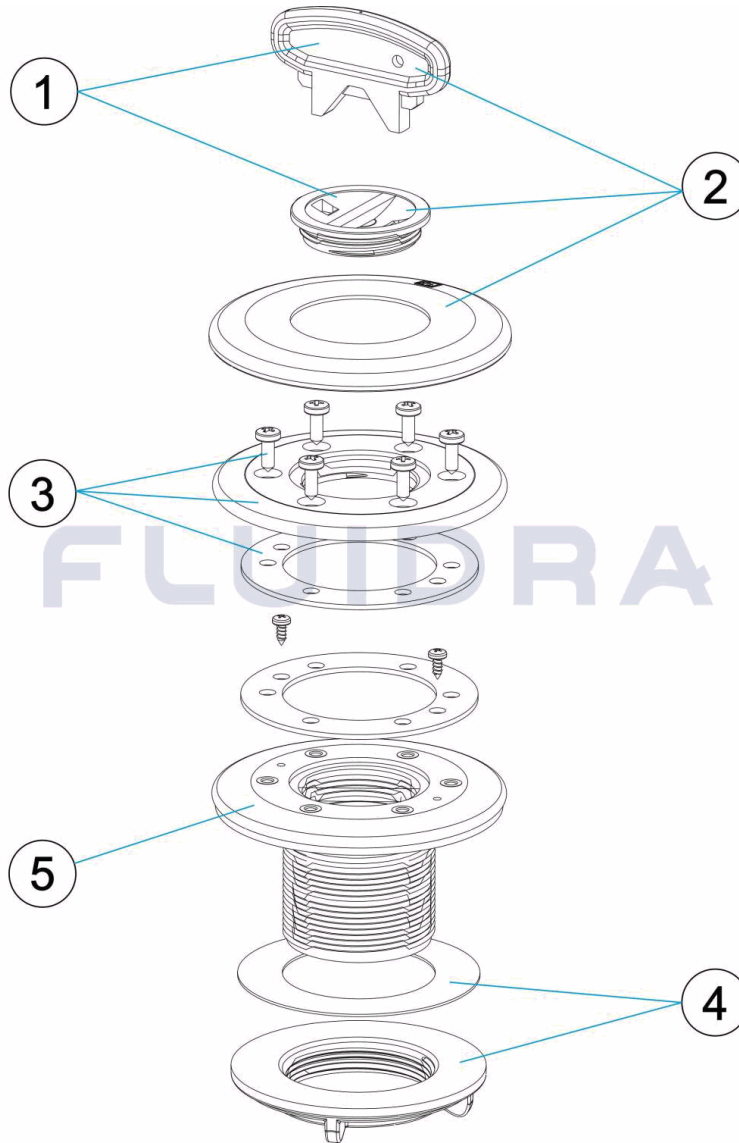


CODIGO 00332, 00332CL090, 00332CL129, 00332CL144

DESCRIPCION: BOQUILLA ASPIRACION PISCINA PREF. LINER



ESPAÑOL

POS	CODIGO	DESCRIPCION	POS	CODIGO	DESCRIPCION
1	* 4402043101	TAPON BOQUILLA	2	* 4402040067	TAPON Y TAPETA BOQUILLA
1	* 4402040063	TAPON BOQUILLA	2	* 4402040068	TAPON Y TAPETA BOQUILLA
1	* 4402040064	TAPON BOQUILLA	3	4402041702	ARO Y JUNTA PISC. PREF.
1	* 4402040065	TAPON BOQUILLA	4	4402041701	TUERCA FIJACION CON JUNTA
2	* 4402040501	TAPON Y TAPETA BOQUILLA	5	00329R0100	BASE BOQUILLA
2	* 4402040066	TAPON Y TAPETA BOQUILLA			

CODIGO 00332, 00332CL090, 00332CL129, 00332CL144

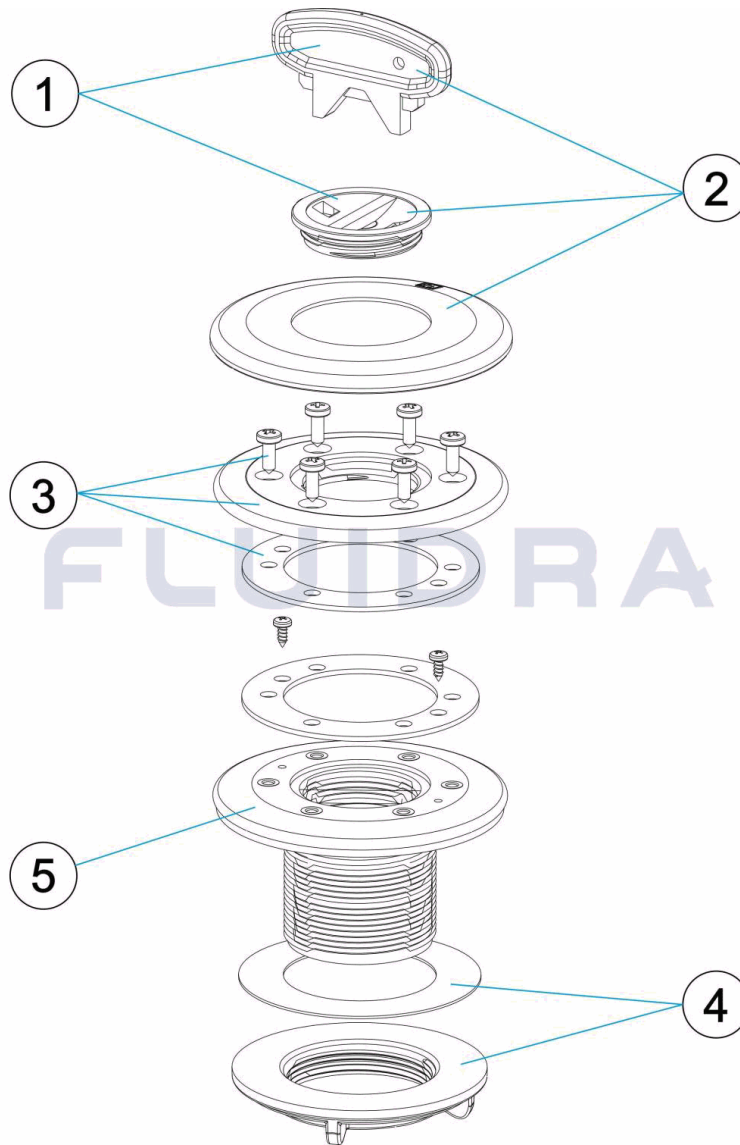
DESCRIPCION: BOQUILLA ASPIRACION PISCINA PREF. LINER

OBSERVACIONES

POS	CODIGO	OBSERVACIONES
1	4402043101	PARA: 00332 BLANCO / WHITE
1	4402040063	PARA: 00332CL090 BEIGE
1	4402040064	PARA: 00332CL129 GRIS / GREY
1	4402040065	PARA: 00332CL144 ANTRACITA / ANTHRACITE
2	4402040501	PARA: 00332 BLANCO / WHITE
2	4402040066	PARA: 00332CL090 BEIGE
2	4402040067	PARA: 00332CL129 GRIS / GREY
2	4402040068	PARA: 00332CL144 ANTRACITA / ANTHRACITE

CODE **00332, 00332CL090, 00332CL129, 00332CL144**

DESCRIPTION: **BOUCHE ASPIRATION PISCINE PRÉF. LINER**



FRANCAIS

POS	CODE	DESCRIPTION	POS	CODE	DESCRIPTION
1	* 4402043101	BOUCHON DE BOUCHE	2	* 4402040067	BOUCHON ET COLLERETTE
1	* 4402040063	BOUCHON DE BOUCHE	2	* 4402040068	BOUCHON ET COLLERETTE
1	* 4402040064	BOUCHON DE BOUCHE	3	4402041702	JOINT ET BRIDE POUR LINER
1	* 4402040065	BOUCHON DE BOUCHE	4	4402041701	ECROU DE FIXATION AVEC JOINT
2	* 4402040501	BOUCHON ET COLLERETTE	5	00329R0100	CORPS DE LA BUSE
2	* 4402040066	BOUCHON ET COLLERETTE			

CODE **00332, 00332CL090, 00332CL129, 00332CL144**

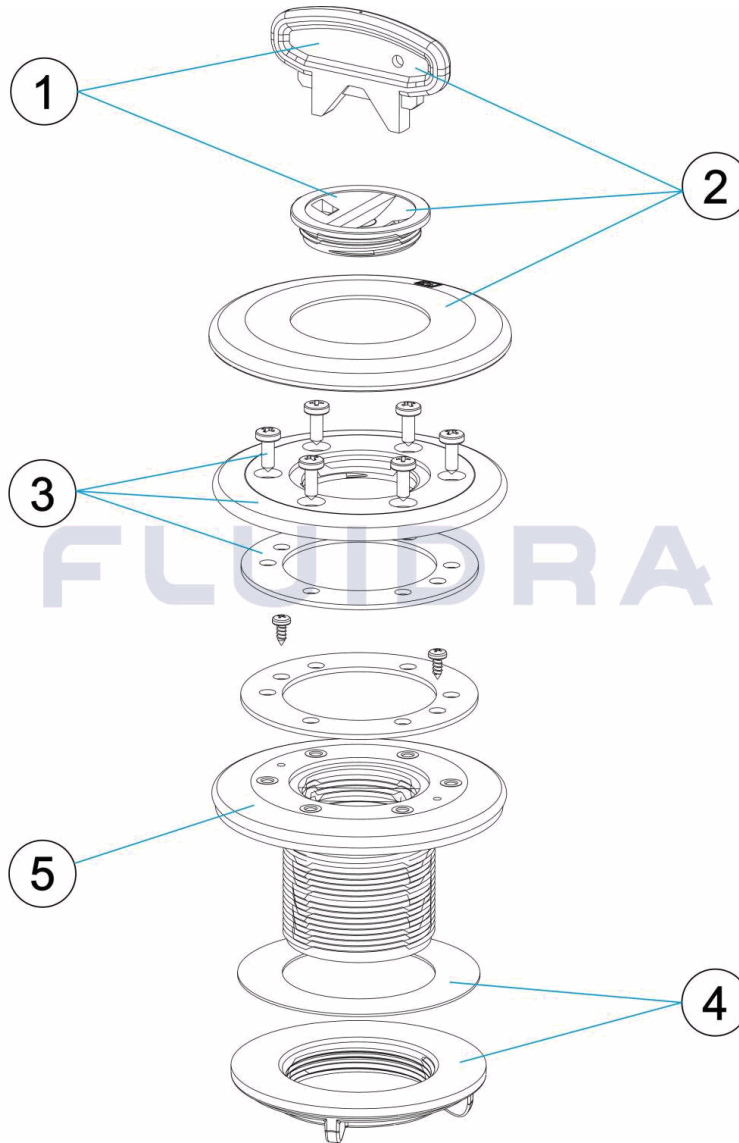
DESCRIPTION: **BOUCHE ASPIRATION PISCINE PRÉF. LINER**

OBSERVATIONS

POS	CODE	OBSERVATIONS
1	4402043101	POUR: 00332 BLANCO / WHITE
1	4402040063	POUR: 00332CL090 BEIGE
1	4402040064	POUR: 00332CL129 GRIS / GREY
1	4402040065	POUR: 00332CL144 ANTRACITA / ANTHRACITE
2	4402040501	POUR: 00332 BLANCO / WHITE
2	4402040066	POUR: 00332CL090 BEIGE
2	4402040067	POUR: 00332CL129 GRIS / GREY
2	4402040068	POUR: 00332CL144 ANTRACITA / ANTHRACITE

CODE **00332, 00332CL090, 00332CL129, 00332CL144**

DESCRIPTION: **SUCTION NOZZLE PREFAB POOL LINER**



ENGLISH

POS	CODE	DESCRIPTION	POS	CODE	DESCRIPTION
1	* 4402043101	INLET CAP	2	* 4402040067	INLET COVER PLATE + CAP
1	* 4402040063	INLET CAP	2	* 4402040068	INLET COVER PLATE + CAP
1	* 4402040064	INLET CAP	3	4402041702	RING AND GASKET FOR LINER POOLS
1	* 4402040065	INLET CAP	4	4402041701	FIXING NUT AND GASKET
2	* 4402040501	INLET COVER PLATE + CAP	5	00329R0100	INLET BASE
2	* 4402040066	INLET COVER PLATE + CAP			

CODE **00332, 00332CL090, 00332CL129, 00332CL144**

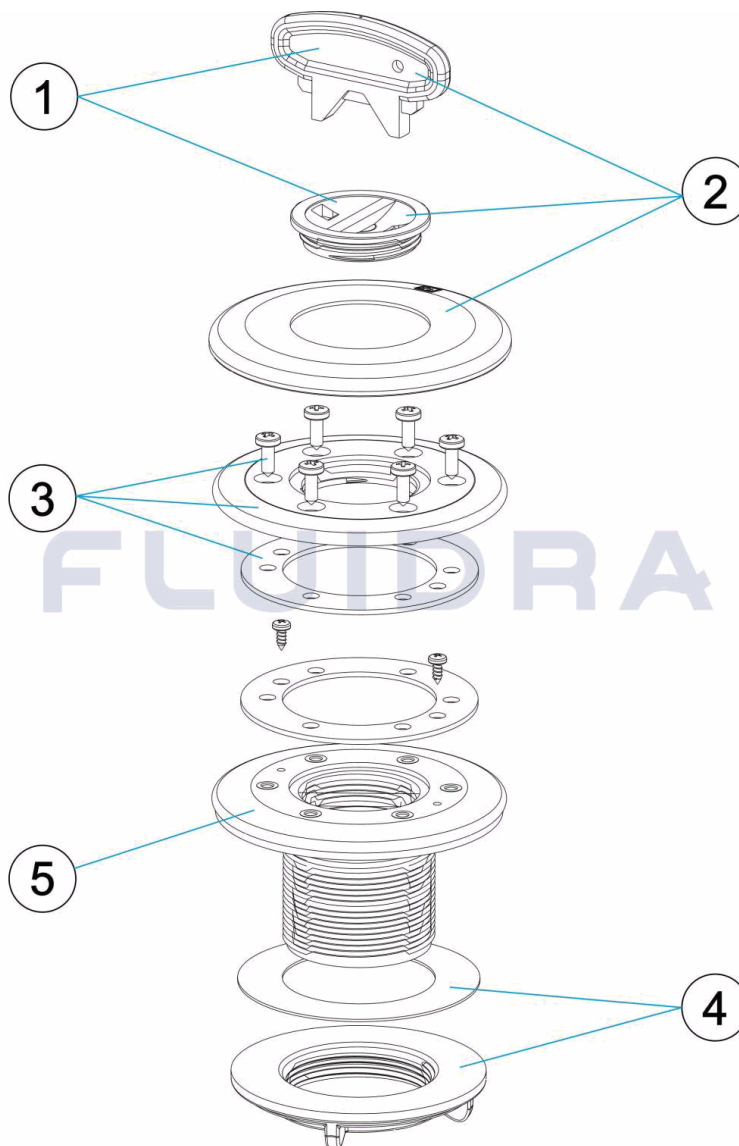
DESCRIPTION: **SUCTION NOZZLE PREFAB POOL LINER**

OBSERVATIONS

POS	CODE	OBSERVATIONS
1	4402043101	FOR: 00332 BLANCO / WHITE
1	4402040063	FOR: 00332CL090 BEIGE
1	4402040064	FOR: 00332CL129 GRIS / GREY
1	4402040065	FOR: 00332CL144 ANTRACITA / ANTHRACITE
2	4402040501	FOR: 00332 BLANCO / WHITE
2	4402040066	FOR: 00332CL090 BEIGE
2	4402040067	FOR: 00332CL129 GRIS / GREY
2	4402040068	FOR: 00332CL144 ANTRACITA / ANTHRACITE

CODICE 00332, 00332CL090, 00332CL129, 00332CL144

DESCRIZIONE: BOCCHETTA ASPIRAZIONE PISCINA PREF. LINER



ITALIANO

POS	CODICE	DESCRIZIONE	POS	CODICE	DESCRIZIONE
1	* 4402043101	COPERCHIO BOCCHETTA	2	* 4402040067	TAPPO E COPERCHIETTO BOCCHETTA
1	* 4402040063	COPERCHIO BOCCHETTA	2	* 4402040068	TAPPO E COPERCHIETTO BOCCHETTA
1	* 4402040064	COPERCHIO BOCCHETTA	3	4402041702	COPRIFLANGIA E GUARNIZIONE PISC. PREF.
1	* 4402040065	COPERCHIO BOCCHETTA	4	4402041701	GHIERA FISSAGGIO CON GUARNIZIONE
2	* 4402040501	TAPPO E COPERCHIETTO BOCCHETTA	5	00329R0100	BASE BOCCHETTA
2	* 4402040066	TAPPO E COPERCHIETTO BOCCHETTA			

CODICE 00332, 00332CL090, 00332CL129, 00332CL144

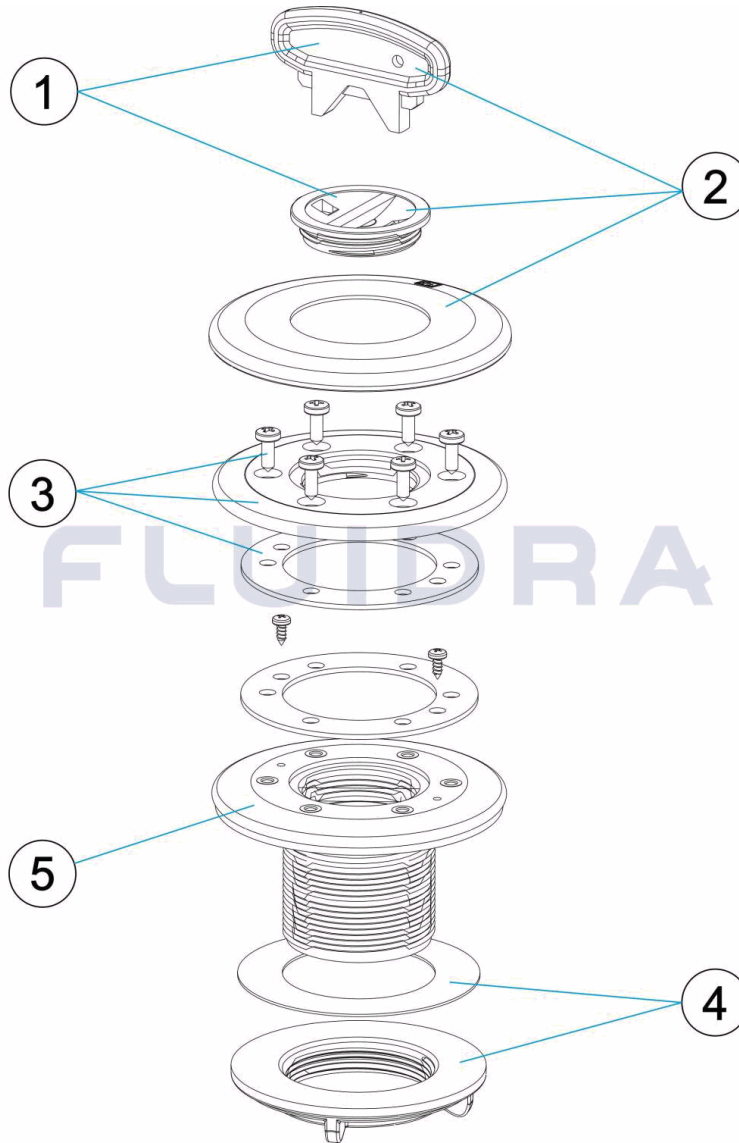
DESCRIZIONE: BOCCHETTA ASPIRAZIONE PISCINA PREF. LINER

OSSERVAZIONI

POS	CODICE	OSSERVAZIONI
1	4402043101	PER: 00332 BLANCO / WHITE
1	4402040063	PER: 00332CL090 BEIGE
1	4402040064	PER: 00332CL129 GRIS / GREY
1	4402040065	PER: 00332CL144 ANTRACITA / ANTHRACITE
2	4402040501	PER: 00332 BLANCO / WHITE
2	4402040066	PER: 00332CL090 BEIGE
2	4402040067	PER: 00332CL129 GRIS / GREY
2	4402040068	PER: 00332CL144 ANTRACITA / ANTHRACITE

CODE **00332, 00332CL090, 00332CL129, 00332CL144**

BESCHREIBUNG: **ANSAUGDÜSE FERTIGBECKEN FOLIE**



DEUTSCH

POS	CODE	BESCHREIBUNG	POS	CODE	BESCHREIBUNG
1	* 4402043101	STOPFEN DÜSE	2	* 4402040067	STOPFEN UND ABSCHLUSSPLATTE DÜSE
1	* 4402040063	STOPFEN DÜSE	2	* 4402040068	STOPFEN UND ABSCHLUSSPLATTE DÜSE
1	* 4402040064	STOPFEN DÜSE	3	4402041702	RING UND DICHTUNG FERTIGBECKEN
1	* 4402040065	STOPFEN DÜSE	4	4402041701	FIXIERMUTTER UND DICHTUNG
2	* 4402040501	STOPFEN UND ABSCHLUSSPLATTE DÜSE	5	00329R0100	DÜSENBASIS
2	* 4402040066	STOPFEN UND ABSCHLUSSPLATTE DÜSE			

CODE **00332, 00332CL090, 00332CL129, 00332CL144**

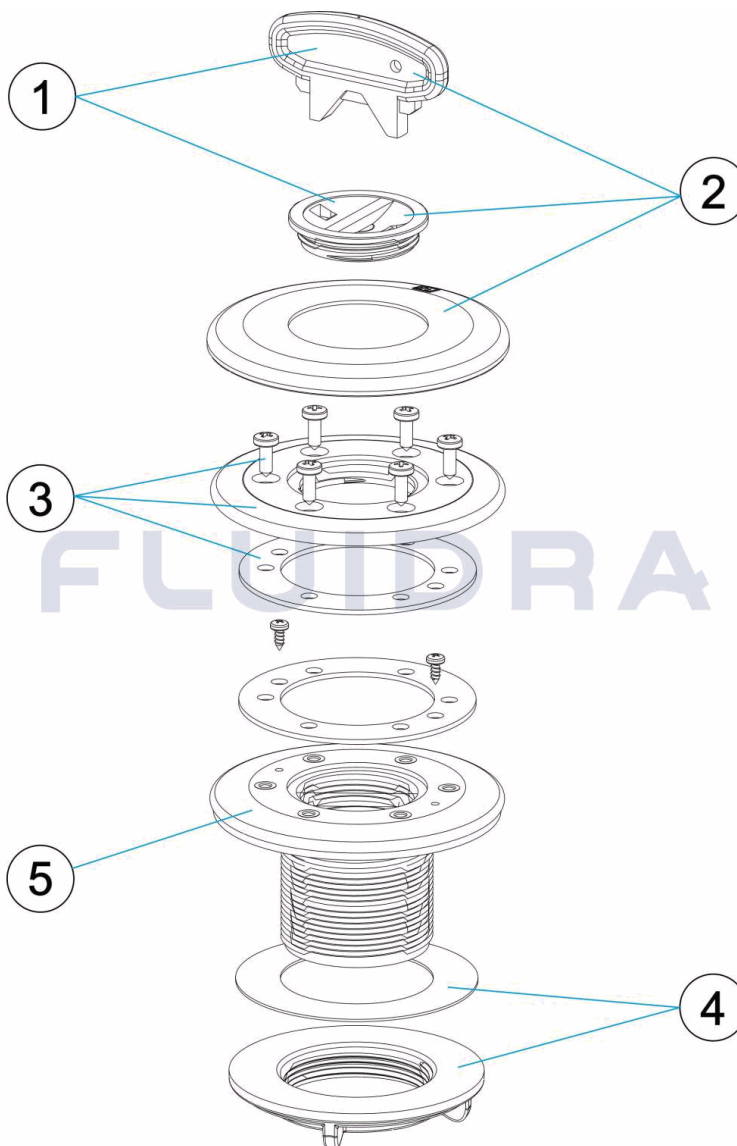
BESCHREIBUNG: **ANSAUGDÜSE FERTIGBECKEN FOLIE**

HINWEISE

POS	CODE	HINWEISE
1	4402043101	FÜR: 00332 BLANCO / WHITE
1	4402040063	FÜR: 00332CL090 BEIGE
1	4402040064	FÜR: 00332CL129 GRIS / GREY
1	4402040065	FÜR: 00332CL144 ANTRACITA / ANTHRACITE
2	4402040501	FÜR: 00332 BLANCO / WHITE
2	4402040066	FÜR: 00332CL090 BEIGE
2	4402040067	FÜR: 00332CL129 GRIS / GREY
2	4402040068	FÜR: 00332CL144 ANTRACITA / ANTHRACITE

CODIGO 00332, 00332CL090, 00332CL129, 00332CL144

DESCRIÇÃO: BOQUILHA ASPIRAÇÃO PISCINA PRÉ-F. LINER



PORTUGUES

POS	CODIGO	DESCRIÇÃO	POS	CODIGO	DESCRIÇÃO
1	* 4402043101	TAMPÃO BOCA	2	* 4402040067	TAMPÃO DE BOCA
1	* 4402040063	TAMPÃO BOCA	2	* 4402040068	TAMPÃO DE BOCA
1	* 4402040064	TAMPÃO BOCA	3	4402041702	ARO E JUNTA PISCINA PRE-FABRICADA
1	* 4402040065	TAMPÃO BOCA	4	4402041701	PORCA FIXAÇÃO COM JUNTA
2	* 4402040501	TAMPÃO DE BOCA	5	00329R0100	BASE BOCA
2	* 4402040066	TAMPÃO DE BOCA			

CODIGO 00332, 00332CL090, 00332CL129, 00332CL144

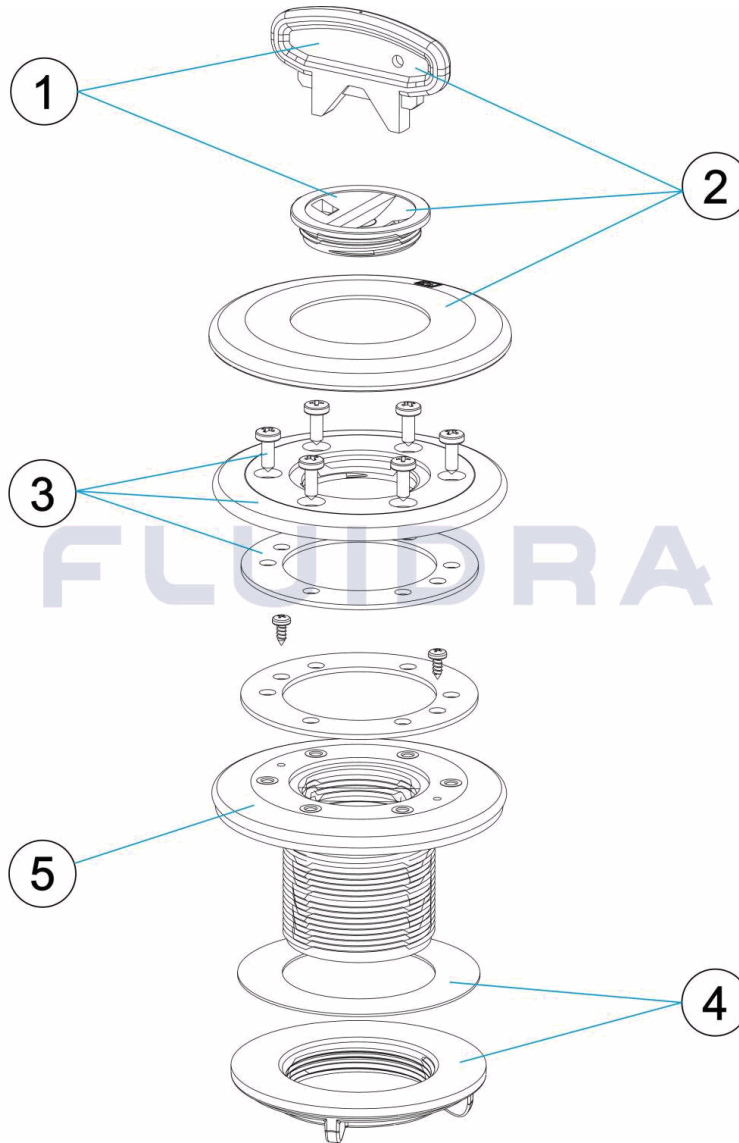
DESCRIÇÃO: BOQUILHA ASPIRAÇÃO PISCINA PRÉ-F. LINER

OBSERVAÇÕES

POS	CODIGO	OBSERVAÇÕES
1	4402043101	PARA: 00332 BLANCO / WHITE
1	4402040063	PARA: 00332CL090 BEIGE
1	4402040064	PARA: 00332CL129 GRIS / GREY
1	4402040065	PARA: 00332CL144 ANTRACITA / ANTHRACITE
2	4402040501	PARA: 00332 BLANCO / WHITE
2	4402040066	PARA: 00332CL090 BEIGE
2	4402040067	PARA: 00332CL129 GRIS / GREY
2	4402040068	PARA: 00332CL144 ANTRACITA / ANTHRACITE

CODIGO 00332, 00332CL090, 00332CL129, 00332CL144

DESCRIPCION: BOQUILLA ASPIRACION PISCINA PREF. LINER



ESPAÑOL

POS	CODIGO	DESCRIPCION	POS	CODIGO	DESCRIPCION
1	* 4402043101	TAPON BOQUILLA	2	* 4402040067	TAPON Y TAPETA BOQUILLA
1	* 4402040063	TAPON BOQUILLA	2	* 4402040068	TAPON Y TAPETA BOQUILLA
1	* 4402040064	TAPON BOQUILLA	3	4402041702	ARO Y JUNTA PISC. PREF.
1	* 4402040065	TAPON BOQUILLA	4	4402041701	TUERCA FIJACION CON JUNTA
2	* 4402040501	TAPON Y TAPETA BOQUILLA	5	00329R0100	BASE BOQUILLA
2	* 4402040066	TAPON Y TAPETA BOQUILLA			

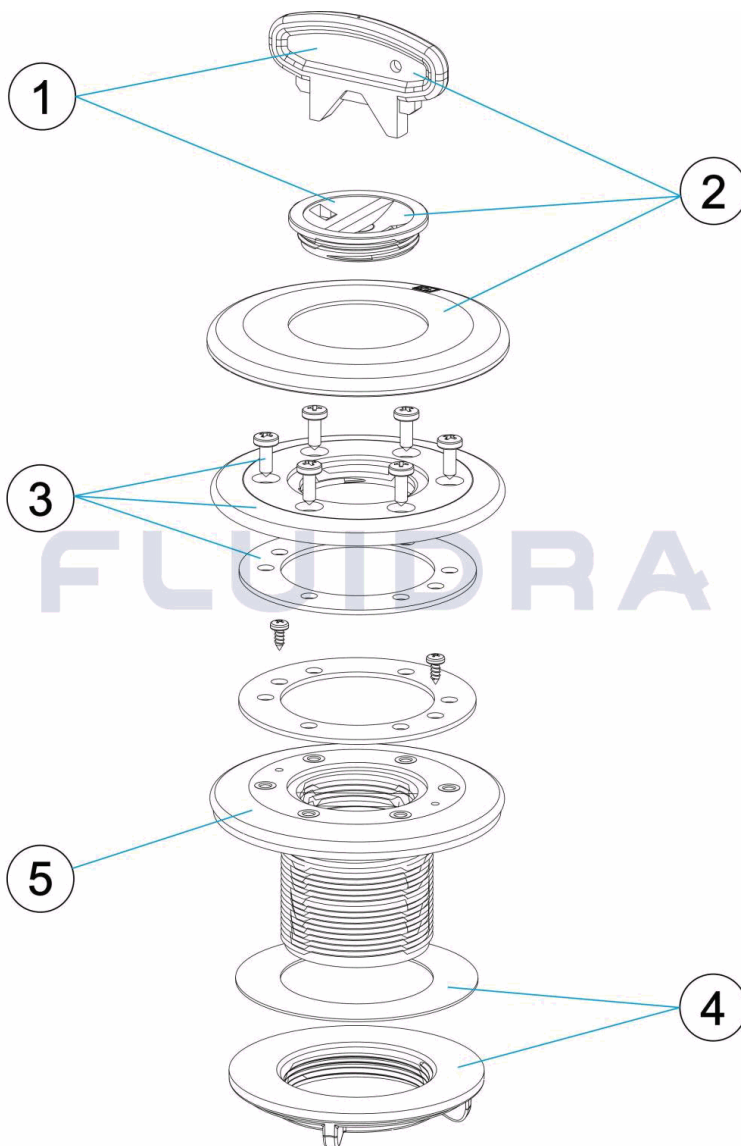
CODIGO **00332, 00332CL090, 00332CL129, 00332CL144**DESCRIPCION: **BOQUILLA ASPIRACION PISCINA PREF. LINER**

OBSERVACIONES

POS	CODIGO	OBSERVACIONES
1	4402043101	PARA: 00332 BLANCO / WHITE
1	4402040063	PARA: 00332CL090 BEIGE
1	4402040064	PARA: 00332CL129 GRIS / GREY
1	4402040065	PARA: 00332CL144 ANTRACITA / ANTHRACITE
2	4402040501	PARA: 00332 BLANCO / WHITE
2	4402040066	PARA: 00332CL090 BEIGE
2	4402040067	PARA: 00332CL129 GRIS / GREY
2	4402040068	PARA: 00332CL144 ANTRACITA / ANTHRACITE

CODE 00332, 00332CL090, 00332CL129, 00332CL144

DESCRIPTION: BOUCHE ASPIRATION PISCINE PRÉF. LINER



FRANCAIS

POS	CODE	DESCRIPTION	POS	CODE	DESCRIPTION
1	* 4402043101	BOUCHON DE BOUCHE	2	* 4402040067	BOUCHON ET COLLERETTE
1	* 4402040063	BOUCHON DE BOUCHE	2	* 4402040068	BOUCHON ET COLLERETTE
1	* 4402040064	BOUCHON DE BOUCHE	3	4402041702	JOINT ET BRIDE POUR LINER
1	* 4402040065	BOUCHON DE BOUCHE	4	4402041701	ECROU DE FIXATION AVEC JOINT
2	* 4402040501	BOUCHON ET COLLERETTE	5	00329R0100	CORPS DE LA BUSE
2	* 4402040066	BOUCHON ET COLLERETTE			

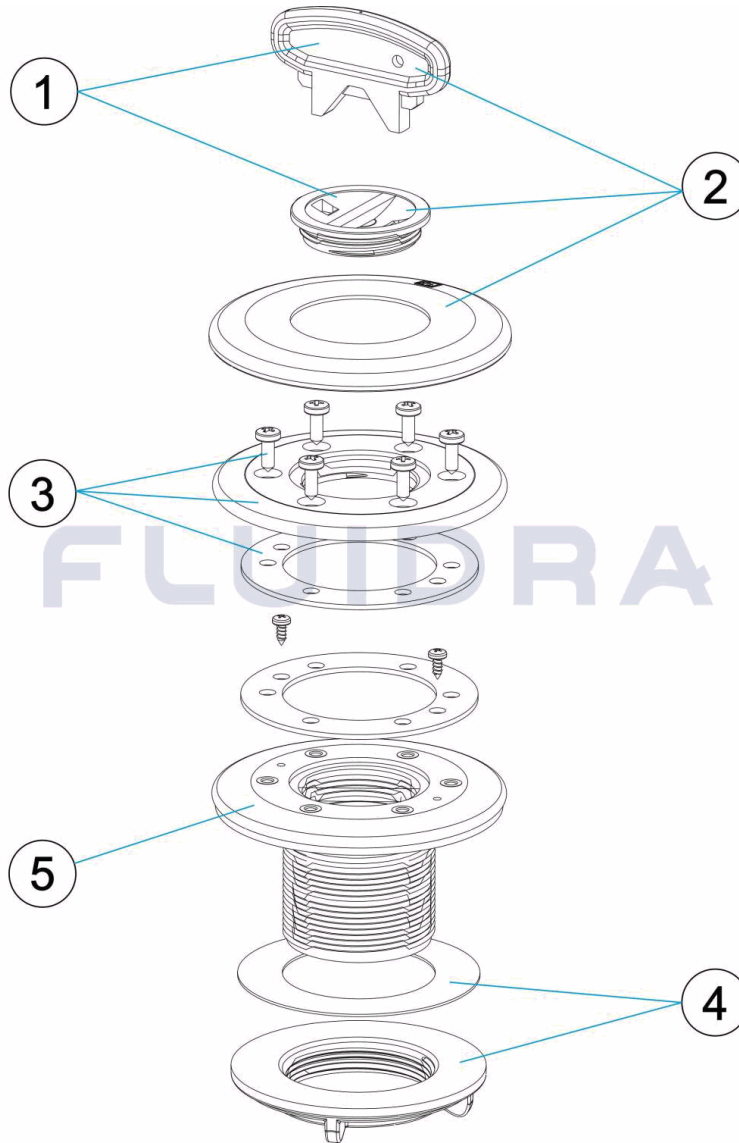
CODE **00332, 00332CL090, 00332CL129, 00332CL144**DESCRIPTION: **BOUCHE ASPIRATION PISCINE PRÉF. LINER**

OBSERVATIONS

POS	CODE	OBSERVATIONS
1	4402043101	POUR: 00332 BLANCO / WHITE
1	4402040063	POUR: 00332CL090 BEIGE
1	4402040064	POUR: 00332CL129 GRIS / GREY
1	4402040065	POUR: 00332CL144 ANTRACITA / ANTHRACITE
2	4402040501	POUR: 00332 BLANCO / WHITE
2	4402040066	POUR: 00332CL090 BEIGE
2	4402040067	POUR: 00332CL129 GRIS / GREY
2	4402040068	POUR: 00332CL144 ANTRACITA / ANTHRACITE

CODE 00332, 00332CL090, 00332CL129, 00332CL144

DESCRIPTION: **SUCTION NOZZLE PREFAB POOL LINER**



ENGLISH

POS	CODE	DESCRIPTION	POS	CODE	DESCRIPTION
1	* 4402043101	INLET CAP	2	* 4402040067	INLET COVER PLATE + CAP
1	* 4402040063	INLET CAP	2	* 4402040068	INLET COVER PLATE + CAP
1	* 4402040064	INLET CAP	3	4402041702	RING AND GASKET FOR LINER POOLS
1	* 4402040065	INLET CAP	4	4402041701	FIXING NUT AND GASKET
2	* 4402040501	INLET COVER PLATE + CAP	5	00329R0100	INLET BASE
2	* 4402040066	INLET COVER PLATE + CAP			

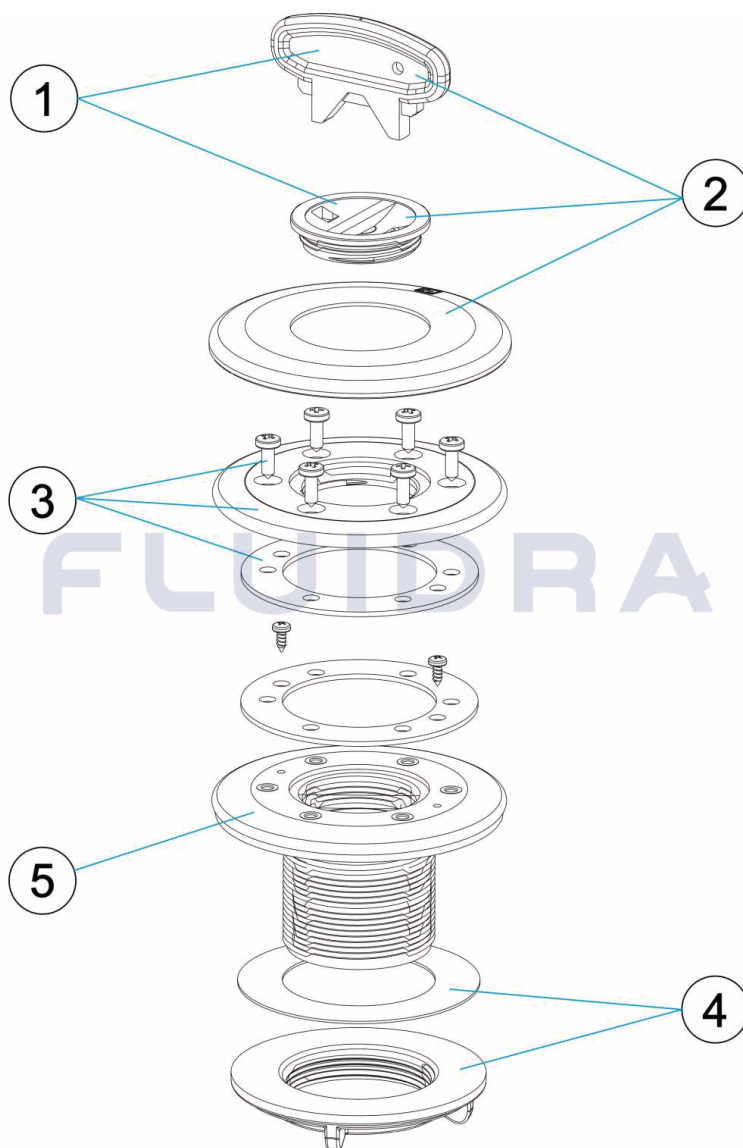
CODE **00332, 00332CL090, 00332CL129, 00332CL144**DESCRIPTION: **SUCTION NOZZLE PREFAB POOL LINER**

OBSERVATIONS

POS	CODE	OBSERVATIONS
1	4402043101	FOR: 00332 BLANCO / WHITE
1	4402040063	FOR: 00332CL090 BEIGE
1	4402040064	FOR: 00332CL129 GRIS / GREY
1	4402040065	FOR: 00332CL144 ANTRACITA / ANTHRACITE
2	4402040501	FOR: 00332 BLANCO / WHITE
2	4402040066	FOR: 00332CL090 BEIGE
2	4402040067	FOR: 00332CL129 GRIS / GREY
2	4402040068	FOR: 00332CL144 ANTRACITA / ANTHRACITE

CODICE 00332, 00332CL090, 00332CL129, 00332CL144

DESCRIZIONE: BOCCHETTA ASPIRAZIONE PISCINA PREF. LINER



ITALIANO

POS	CODICE	DESCRIZIONE	POS	CODICE	DESCRIZIONE
1	* 4402043101	COPERCHIO BOCCHETTA	2	* 4402040067	TAPPO E COPERCHIETTO BOCCHETTA
1	* 4402040063	COPERCHIO BOCCHETTA	2	* 4402040068	TAPPO E COPERCHIETTO BOCCHETTA
1	* 4402040064	COPERCHIO BOCCHETTA	3	4402041702	COPRIFLANGIA E GUARNIZIONE PISC. PREF.
1	* 4402040065	COPERCHIO BOCCHETTA	4	4402041701	GHIERA FISSAGGIO CON GUARNIZIONE
2	* 4402040501	TAPPO E COPERCHIETTO BOCCHETTA	5	00329R0100	BASE BOCCHETTA
2	* 4402040066	TAPPO E COPERCHIETTO BOCCHETTA			

CODICE 00332, 00332CL090, 00332CL129, 00332CL144

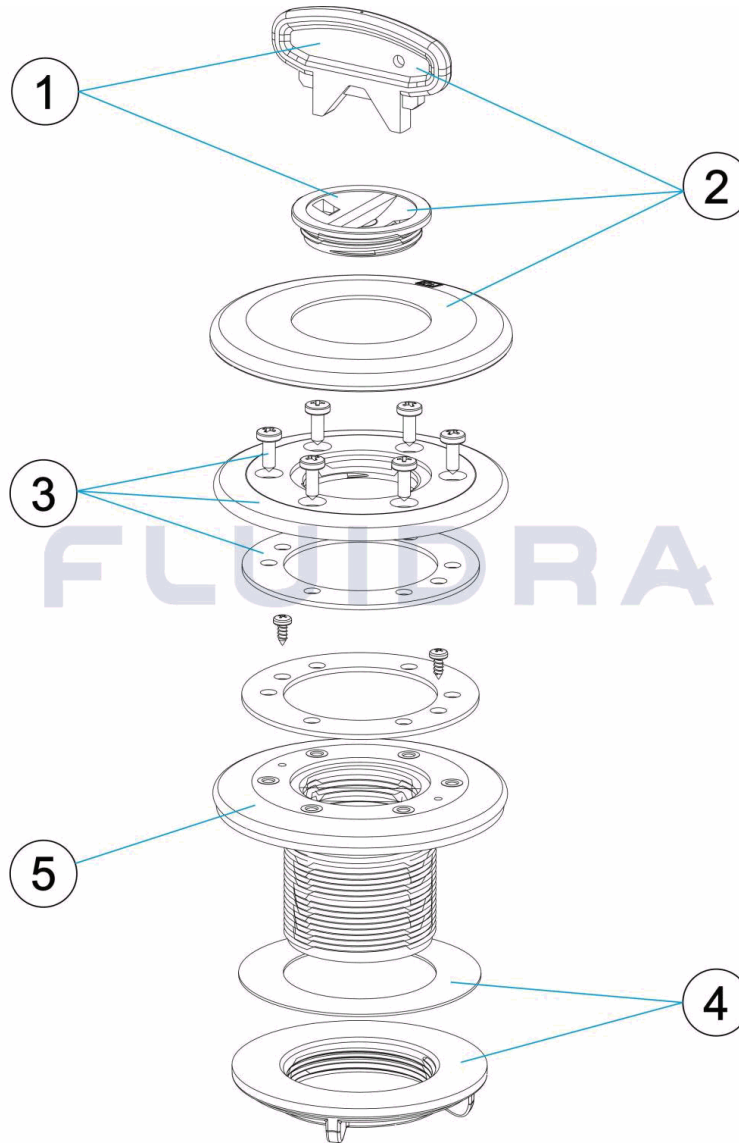
DESCRIZIONE: BOCCHETTA ASPIRAZIONE PISCINA PREF. LINER

OSSERVAZIONI

POS	CODICE	OSSERVAZIONI
1	4402043101	PER: 00332 BLANCO / WHITE
1	4402040063	PER: 00332CL090 BEIGE
1	4402040064	PER: 00332CL129 GRIS / GREY
1	4402040065	PER: 00332CL144 ANTRACITA / ANTHRACITE
2	4402040501	PER: 00332 BLANCO / WHITE
2	4402040066	PER: 00332CL090 BEIGE
2	4402040067	PER: 00332CL129 GRIS / GREY
2	4402040068	PER: 00332CL144 ANTRACITA / ANTHRACITE

CODE 00332, 00332CL090, 00332CL129, 00332CL144

BESCHREIBUNG: ANSAUGDÜSE FERTIGBECKEN FOLIE



DEUTSCH

POS	CODE	BESCHREIBUNG	POS	CODE	BESCHREIBUNG
1	* 4402043101	STOPFEN DÜSE	2	* 4402040067	STOPFEN UND ABSCHLUSSPLATTE DÜSE
1	* 4402040063	STOPFEN DÜSE	2	* 4402040068	STOPFEN UND ABSCHLUSSPLATTE DÜSE
1	* 4402040064	STOPFEN DÜSE	3	4402041702	RING UND DICHTUNG FERTIGBECKEN
1	* 4402040065	STOPFEN DÜSE	4	4402041701	FIXIERMUTTER UND DICHTUNG
2	* 4402040501	STOPFEN UND ABSCHLUSSPLATTE DÜSE	5	00329R0100	DÜSENBASIS
2	* 4402040066	STOPFEN UND ABSCHLUSSPLATTE DÜSE			

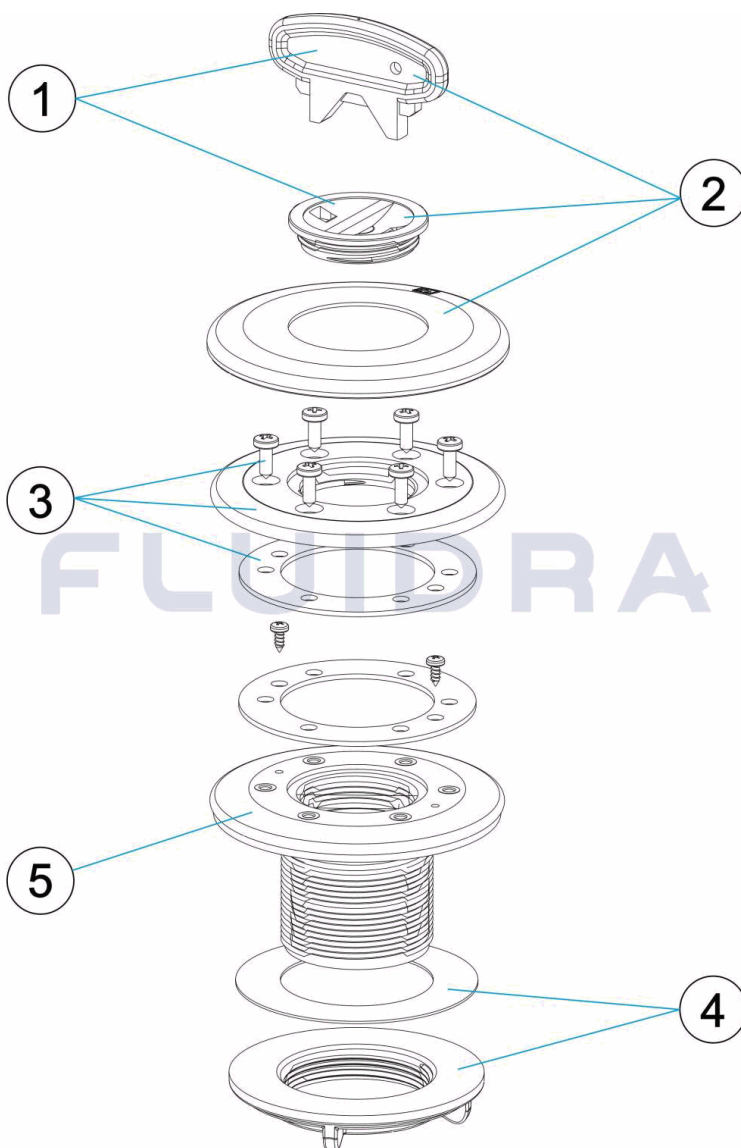
CODE **00332, 00332CL090, 00332CL129, 00332CL144**BESCHREIBUNG: **ANSAUGDÜSE FERTIGBECKEN FOLIE**

HINWEISE

POS	CODE	HINWEISE
1	4402043101	FÜR: 00332 BLANCO / WHITE
1	4402040063	FÜR: 00332CL090 BEIGE
1	4402040064	FÜR: 00332CL129 GRIS / GREY
1	4402040065	FÜR: 00332CL144 ANTRACITA / ANTHRACITE
2	4402040501	FÜR: 00332 BLANCO / WHITE
2	4402040066	FÜR: 00332CL090 BEIGE
2	4402040067	FÜR: 00332CL129 GRIS / GREY
2	4402040068	FÜR: 00332CL144 ANTRACITA / ANTHRACITE

CODIGO 00332, 00332CL090, 00332CL129, 00332CL144

DESCRIÇÃO: BOQUILHA ASPIRAÇÃO PISCINA PRÉ-F. LINER



PORTUGUES

POS	CODIGO	DESCRIÇÃO	POS	CODIGO	DESCRIÇÃO
1	* 4402043101	TAMPÃO BOCA	2	* 4402040067	TAMPÃO DE BOCA
1	* 4402040063	TAMPÃO BOCA	2	* 4402040068	TAMPÃO DE BOCA
1	* 4402040064	TAMPÃO BOCA	3	4402041702	ARO E JUNTA PISCINA PRE-FABRICADA
1	* 4402040065	TAMPÃO BOCA	4	4402041701	PORCA FIXAÇÃO COM JUNTA
2	* 4402040501	TAMPÃO DE BOCA	5	00329R0100	BASE BOCA
2	* 4402040066	TAMPÃO DE BOCA			

CODIGO 00332, 00332CL090, 00332CL129, 00332CL144

DESCRIÇÃO: BOQUILHA ASPIRAÇÃO PISCINA PRÉ-F. LINER

OBSERVAÇÕES

POS	CODIGO	OBSERVAÇÕES
1	4402043101	PARA: 00332 BLANCO / WHITE
1	4402040063	PARA: 00332CL090 BEIGE
1	4402040064	PARA: 00332CL129 GRIS / GREY
1	4402040065	PARA: 00332CL144 ANTRACITA / ANTHRACITE
2	4402040501	PARA: 00332 BLANCO / WHITE
2	4402040066	PARA: 00332CL090 BEIGE
2	4402040067	PARA: 00332CL129 GRIS / GREY
2	4402040068	PARA: 00332CL144 ANTRACITA / ANTHRACITE