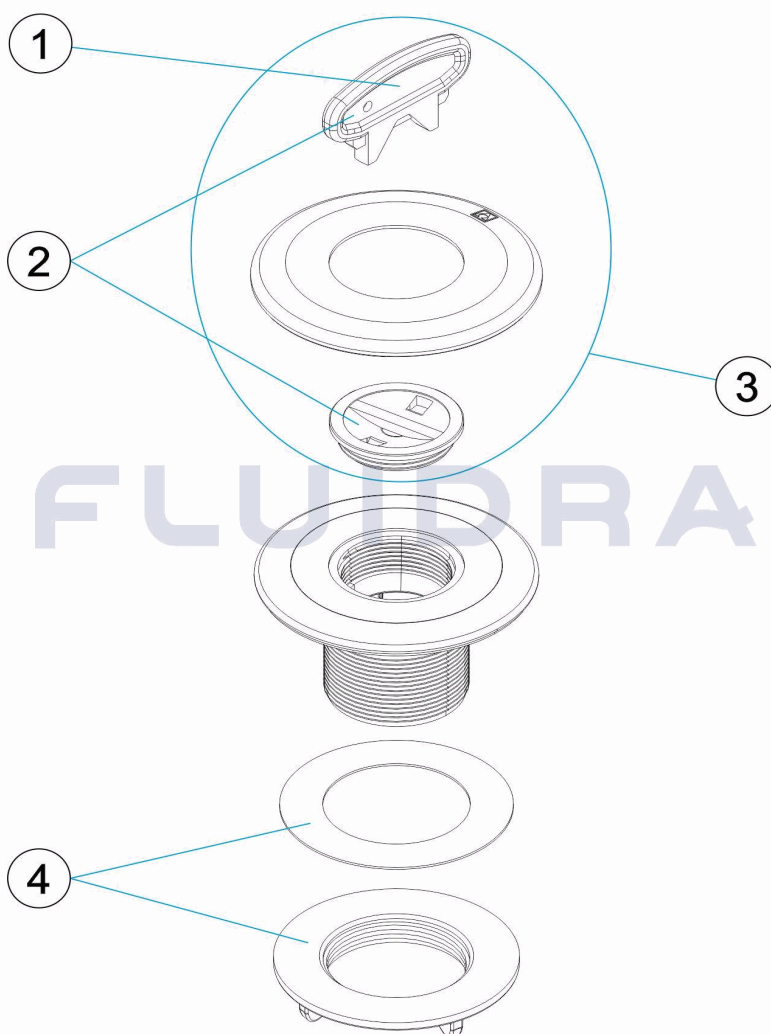


CODIGO **00336, 00336CL090, 00336CL129, 00336CL144**

DESCRIPCION: **BOQUILLA ASPIRACION PISCINA PREF. CON TAPON**



ESPAÑOL

POS	CODIGO	DESCRIPCION	CANTIDAD	POS	CODIGO	DESCRIPCION	CANTIDAD
1	4402040304	LLAVE BOQUILLA		3	* 4402040501	TAPON Y TAPETA BOQUILLA	
2	* 4402043101	TAPON BOQUILLA		3	* 4402040066	TAPON Y TAPETA BOQUILLA	
2	* 4402040063	TAPON BOQUILLA		3	* 4402040067	TAPON Y TAPETA BOQUILLA	
2	* 4402040064	TAPON BOQUILLA		3	* 4402040068	TAPON Y TAPETA BOQUILLA	
2	* 4402040065	TAPON BOQUILLA		4	4402041701	TUERCA FIJACION CON JUNTA	

CODIGO 00336, 00336CL090, 00336CL129, 00336CL144

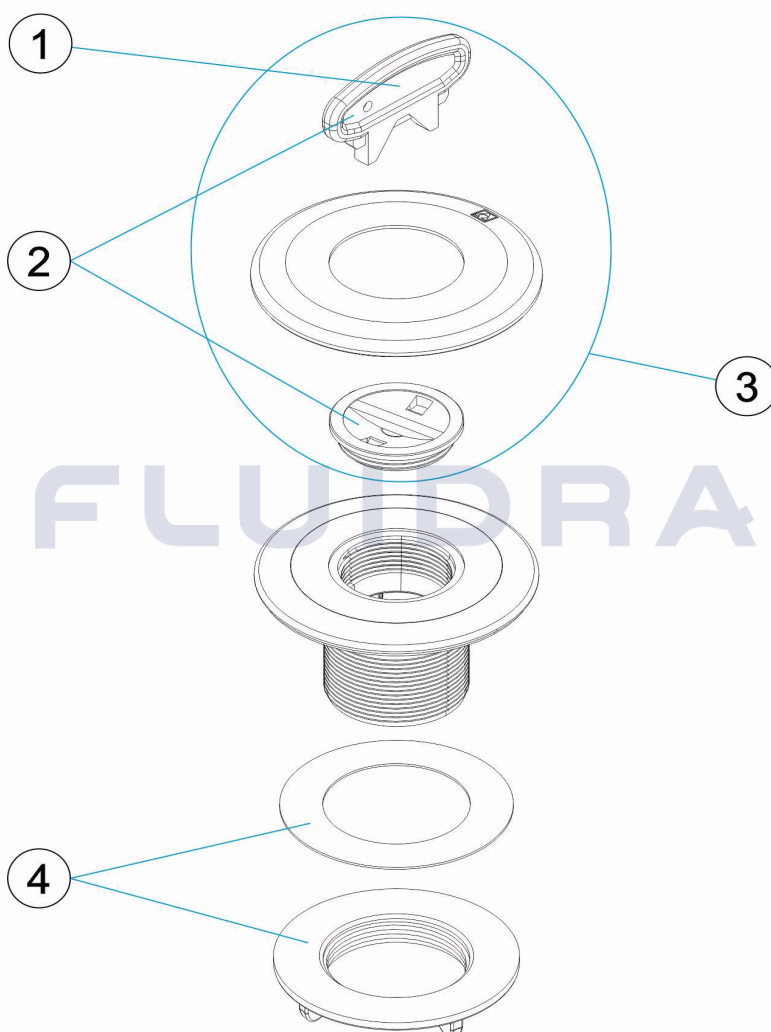
DESCRIPCION: BOQUILLA ASPIRACION PISCINA PREF. CON TAPON

OBSERVACIONES

POS	CODIGO	OBSERVACIONES
2	* 4402043101	PARA: 00336 BLANCO / WHITE
2	* 4402040063	PARA: 00336CL090 BEIGE
2	* 4402040064	PARA: 00336CL129 GRIS / GREY
2	* 4402040065	PARA: 00336CL144 ANTRACITA / ANTHRACITE
3	* 4402040501	PARA: 00336 BLANCO / WHITE
3	* 4402040066	PARA: 00336CL090 BEIGE
3	* 4402040067	PARA: 00336CL129 GRIS / GREY
3	* 4402040068	PARA: 00336CL144 ANTRACITA / ANTHRACITE

CODE **00336, 00336CL090, 00336CL129, 00336CL144**

DESCRIPTION: **BOUCHE ASPIRATION PISCINE PRÉF. AVEC BOUCHON**



FRANCAIS

POS	CODE	DESCRIPTION	QUANTITE	POS	CODE	DESCRIPTION	QUANTITE
1	4402040304	CLEF POUR BUSE		3	* 4402040501	BOUCHON ET COLLERETTE	
2	* 4402043101	BOUCHON DE BOUCHE		3	* 4402040066	BOUCHON ET COLLERETTE	
2	* 4402040063	BOUCHON DE BOUCHE		3	* 4402040067	BOUCHON ET COLLERETTE	
2	* 4402040064	BOUCHON DE BOUCHE		3	* 4402040068	BOUCHON ET COLLERETTE	
2	* 4402040065	BOUCHON DE BOUCHE		4	4402041701	ECROU DE FIXATION AVEC JOINT	

CODE **00336, 00336CL090, 00336CL129, 00336CL144**

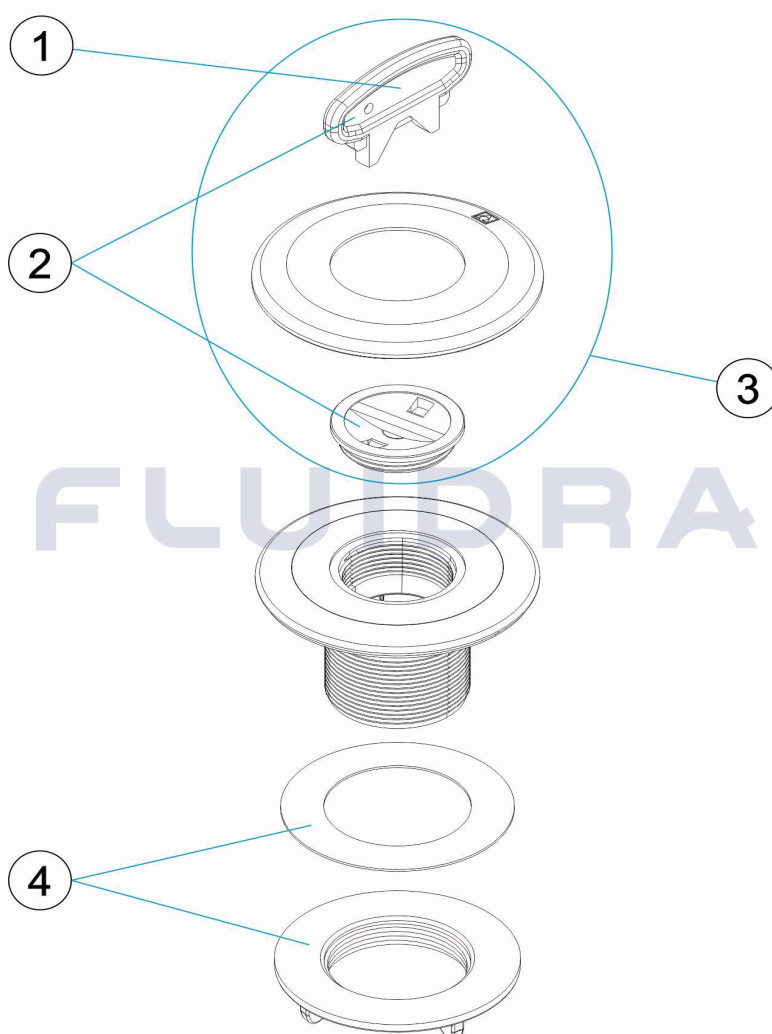
DESCRIPTION: **BOUCHE ASPIRATION PISCINE PRÉF. AVEC BOUCHON**

OBSERVATIONS

POS	CODE	OBSERVATIONS
2	* 4402043101	POUR: 00336 BLANCO / WHITE
2	* 4402040063	POUR: 00336CL090 BEIGE
2	* 4402040064	POUR: 00336CL129 GRIS / GREY
2	* 4402040065	POUR: 00336CL144 ANTRACITA / ANTHRACITE
3	* 4402040501	POUR: 00336 BLANCO / WHITE
3	* 4402040066	POUR: 00336CL090 BEIGE
3	* 4402040067	POUR: 00336CL129 GRIS / GREY
3	* 4402040068	POUR: 00336CL144 ANTRACITA / ANTHRACITE

CODE **00336, 00336CL090, 00336CL129, 00336CL144**

DESCRIPTION: **MULTIFLOW SUCTION NOZZLE PREFAB POOL WITH COVER**



ENGLISH

POS	CODE	DESCRIPTION	QUANTITY	POS	CODE	DESCRIPTION	QUANTITY
1	4402040304	KEY FOR INLET		3	* 4402040501	INLET COVER PLATE + CAP	
2	* 4402043101	INLET CAP		3	* 4402040066	INLET COVER PLATE + CAP	
2	* 4402040063	INLET CAP		3	* 4402040067	INLET COVER PLATE + CAP	
2	* 4402040064	INLET CAP		3	* 4402040068	INLET COVER PLATE + CAP	
2	* 4402040065	INLET CAP		4	4402041701	FIXING NUT AND GASKET	

CODE **00336, 00336CL090, 00336CL129, 00336CL144**

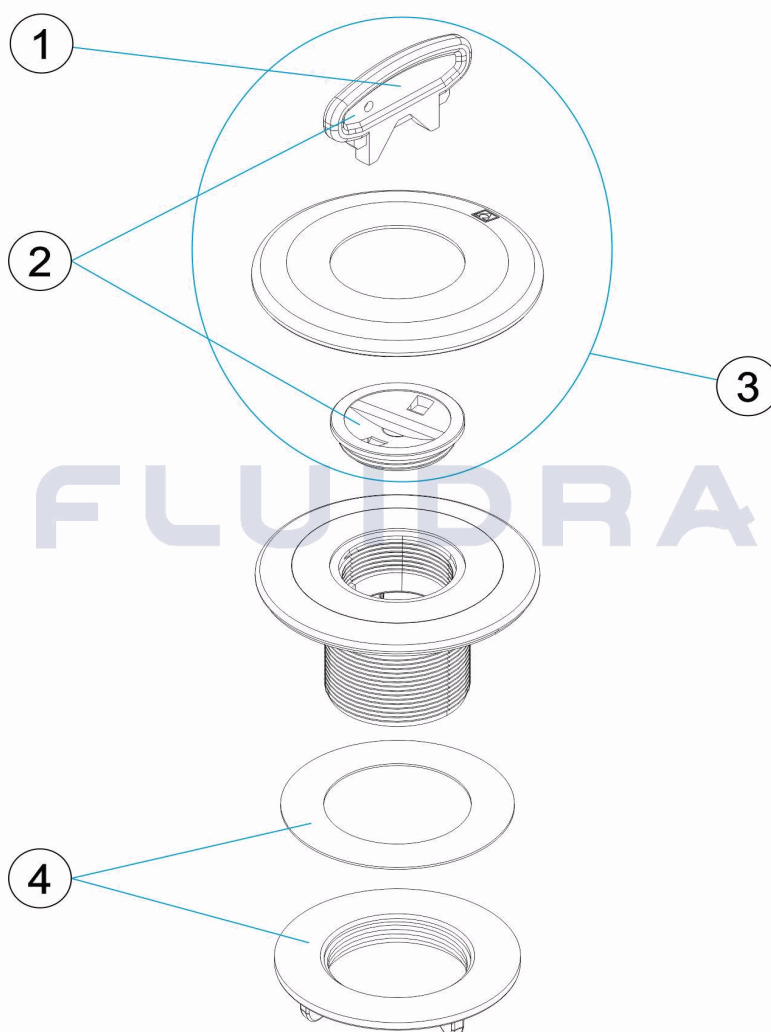
DESCRIPTION: **MULTIFLOW SUCTION NOZZLE PREFAB POOL WITH COVER**

OBSERVATIONS

POS	CODE	OBSERVATIONS
2	* 4402043101	FOR: 00336 BLANCO / WHITE
2	* 4402040063	FOR: 00336CL090 BEIGE
2	* 4402040064	FOR: 00336CL129 GRIS / GREY
2	* 4402040065	FOR: 00336CL144 ANTRACITA / ANTHRACITE
3	* 4402040501	FOR: 00336 BLANCO / WHITE
3	* 4402040066	FOR: 00336CL090 BEIGE
3	* 4402040067	FOR: 00336CL129 GRIS / GREY
3	* 4402040068	FOR: 00336CL144 ANTRACITA / ANTHRACITE

CODICE **00336, 00336CL090, 00336CL129, 00336CL144**

DESCRIZIONE: **BOCCHETTA ASPIRAZIONE PISCINA PREF. CON TAPPO**



ITALIANO

POS	CODICE	DESCRIZIONE	QUANTITA'	POS	CODICE	DESCRIZIONE	QUANTITA'
1	4402040304	CHIAVE		3	* 4402040501	TAPPO E COPERCHIETTO BOCCHETTA	
2	* 4402043101	COPERCHIO BOCCHETTA		3	* 4402040066	TAPPO E COPERCHIETTO BOCCHETTA	
2	* 4402040063	COPERCHIO BOCCHETTA		3	* 4402040067	TAPPO E COPERCHIETTO BOCCHETTA	
2	* 4402040064	COPERCHIO BOCCHETTA		3	* 4402040068	TAPPO E COPERCHIETTO BOCCHETTA	
2	* 4402040065	COPERCHIO BOCCHETTA		4	4402041701	GHIERA FISSAGGIO CON GUARNIZIONE	

CODICE **00336, 00336CL090, 00336CL129, 00336CL144**

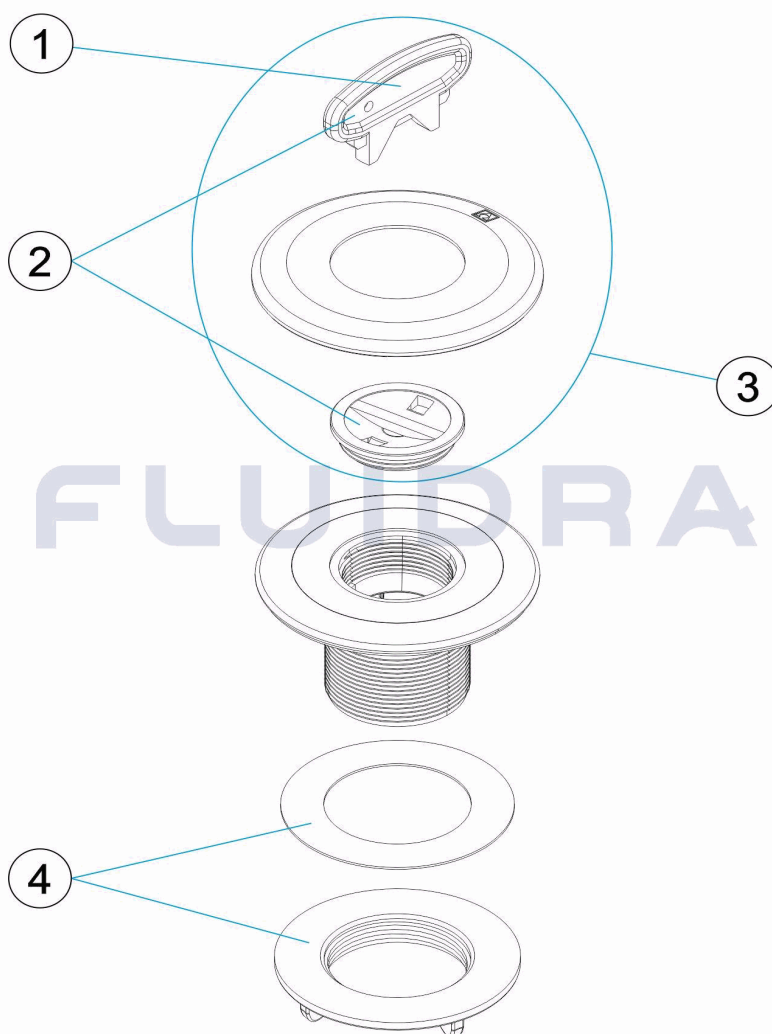
DESCRIZIONE: BOCCHETTA ASPIRAZIONE PISCINA PREF. CON TAPPO

OSSERVAZIONI

POS	CODICE	OSSERVAZIONI
2	* 4402043101	PER: 00336 BLANCO / WHITE
2	* 4402040063	PER: 00336CL090 BEIGE
2	* 4402040064	PER: 00336CL129 GRIS / GREY
2	* 4402040065	PER: 00336CL144 ANTRACITA / ANTHRACITE
3	* 4402040501	PER: 00336 BLANCO / WHITE
3	* 4402040066	PER: 00336CL090 BEIGE
3	* 4402040067	PER: 00336CL129 GRIS / GREY
3	* 4402040068	PER: 00336CL144 ANTRACITA / ANTHRACITE

CODE **00336, 00336CL090, 00336CL129, 00336CL144**

BESCHREIBUNG: **ANSAUGDÜSE FERTIGBECKEN MIT ABDECKUNG**



DEUTSCH

POS	CODE	BESCHREIBUNG	MENGE	POS	CODE	BESCHREIBUNG	MENGE
1	4402040304	SCHLÜSSEL DÜSE		3	* 4402040501	STOPFEN UND ABSCHLUSSPLATTE DÜSE	
2	* 4402043101	STOPFEN DÜSE		3	* 4402040066	STOPFEN UND ABSCHLUSSPLATTE DÜSE	
2	* 4402040063	STOPFEN DÜSE		3	* 4402040067	STOPFEN UND ABSCHLUSSPLATTE DÜSE	
2	* 4402040064	STOPFEN DÜSE		3	* 4402040068	STOPFEN UND ABSCHLUSSPLATTE DÜSE	
2	* 4402040065	STOPFEN DÜSE		4	4402041701	FIXIERMUTTER UND DICHTUNG	

CODE **00336, 00336CL090, 00336CL129, 00336CL144**

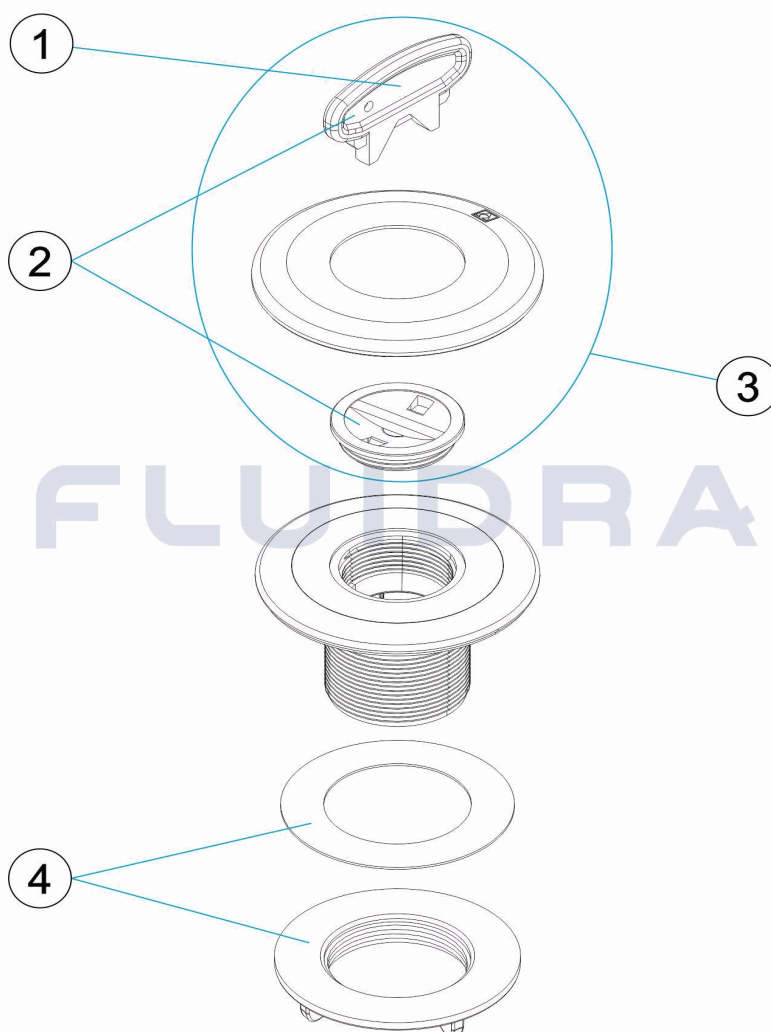
BESCHREIBUNG: **ANSAUGDÜSE FERTIGBECKEN MIT ABDECKUNG**

HINWEISE

POS	CODE	HINWEISE
2	* 4402043101	FÜR: 00336 BLANCO / WHITE
2	* 4402040063	FÜR: 00336CL090 BEIGE
2	* 4402040064	FÜR: 00336CL129 GRIS / GREY
2	* 4402040065	FÜR: 00336CL144 ANTRACITA / ANTHRACITE
3	* 4402040501	FÜR: 00336 BLANCO / WHITE
3	* 4402040066	FÜR: 00336CL090 BEIGE
3	* 4402040067	FÜR: 00336CL129 GRIS / GREY
3	* 4402040068	FÜR: 00336CL144 ANTRACITA / ANTHRACITE

CODIGO **00336, 00336CL090, 00336CL129, 00336CL144**

DESCRIÇÃO: **BOQUILHA ASPIRAÇÃO PISCINA PRÉ-F. COM TAMPÃO**



PORTUGUES

POS	CODIGO	DESCRIÇÃO	JANTIDADE	POS	CODIGO	DESCRIÇÃO	JANTIDADE
1	4402040304	CHAVE BOCA		3	* 4402040501	TAMPÃO DE BOCA	
2	* 4402043101	TAMPÃO BOCA		3	* 4402040066	TAMPÃO DE BOCA	
2	* 4402040063	TAMPÃO BOCA		3	* 4402040067	TAMPÃO DE BOCA	
2	* 4402040064	TAMPÃO BOCA		3	* 4402040068	TAMPÃO DE BOCA	
2	* 4402040065	TAMPÃO BOCA		4	4402041701	PORCA FIXAÇÃO COM JUNTA	

CODIGO 00336, 00336CL090, 00336CL129, 00336CL144

DESCRIÇÃO: BOQUILHA ASPIRAÇÃO PISCINA PRÉ-F. COM TAMPÃO

OBSERVACÕES

POS	CODIGO	OBSERVACÕES
2	* 4402043101	PARA: 00336 BLANCO / WHITE
2	* 4402040063	PARA: 00336CL090 BEIGE
2	* 4402040064	PARA: 00336CL129 GRIS / GREY
2	* 4402040065	PARA: 00336CL144 ANTRACITA / ANTHRACITE
3	* 4402040501	PARA: 00336 BLANCO / WHITE
3	* 4402040066	PARA: 00336CL090 BEIGE
3	* 4402040067	PARA: 00336CL129 GRIS / GREY
3	* 4402040068	PARA: 00336CL144 ANTRACITA / ANTHRACITE