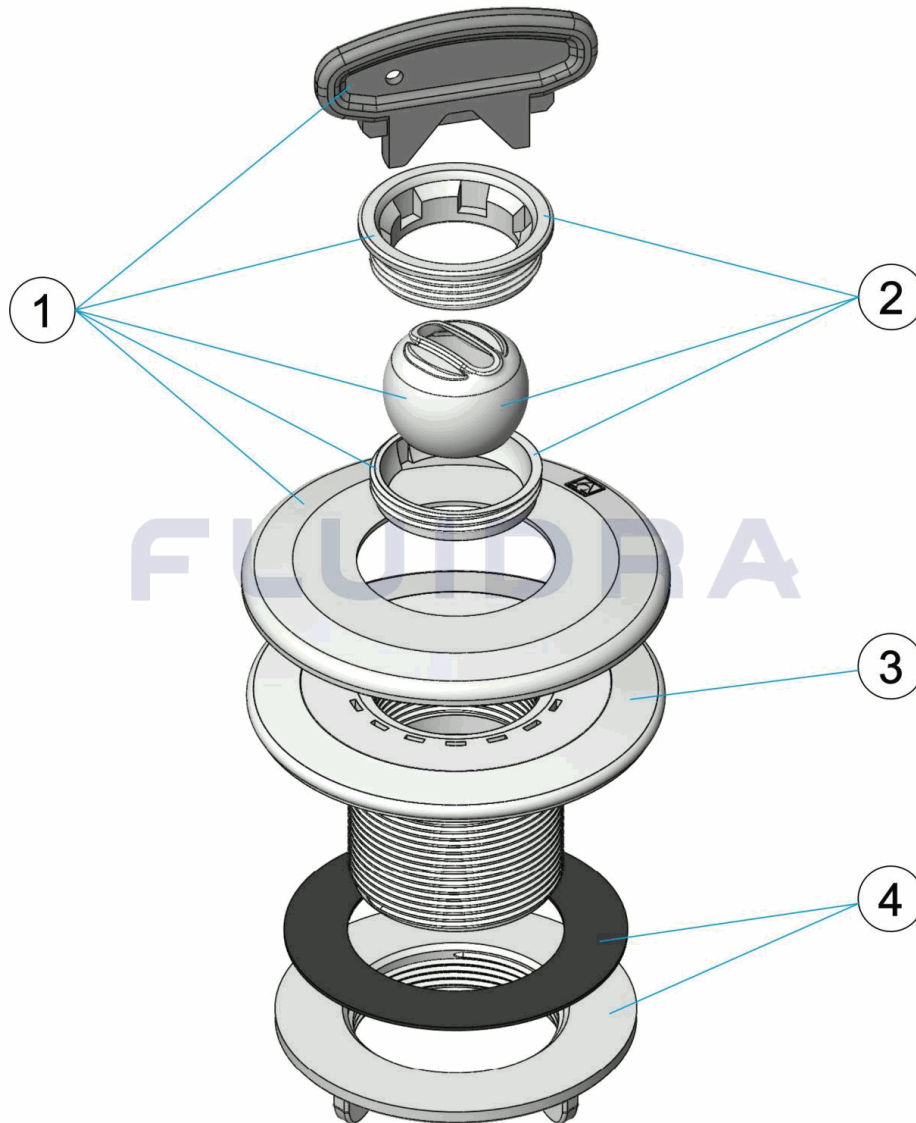


CODIGO **56500, 56500CL090, 56500CL129, 56500CL144**

DESCRIPCION: **BOQUILLA NORMA IMP. PISC. PREF.**



ESPAÑOL

POS	CODIGO	DESCRIPCION	CANTIDAD	POS	CODIGO	DESCRIPCION	CANTIDAD
1	* 4402040015	CJTO. BOLA RANURADA COMPLETA		2	* 4402040082	CJTO. BOLA RANURADA	
1	* 4402040079	CJTO. BOLA RANURADA COMPLETA		2	* 4402040083	CJTO. BOLA RANURADA	
1	* 4402040080	CJTO. BOLA RANURADA COMPLETA		2	* 4402040084	CJTO. BOLA RANURADA	
1	* 4402040081	CJTO. BOLA RANURADA COMPLETA		3	4402040035	BASE BOQUILLA ROSCADA 2"	
2	* 4402040016	CJTO. BOLA RANURADA		4	4402041701	TUERCA FIJACION CON JUNTA	

CODIGO 56500, 56500CL090, 56500CL129, 56500CL144

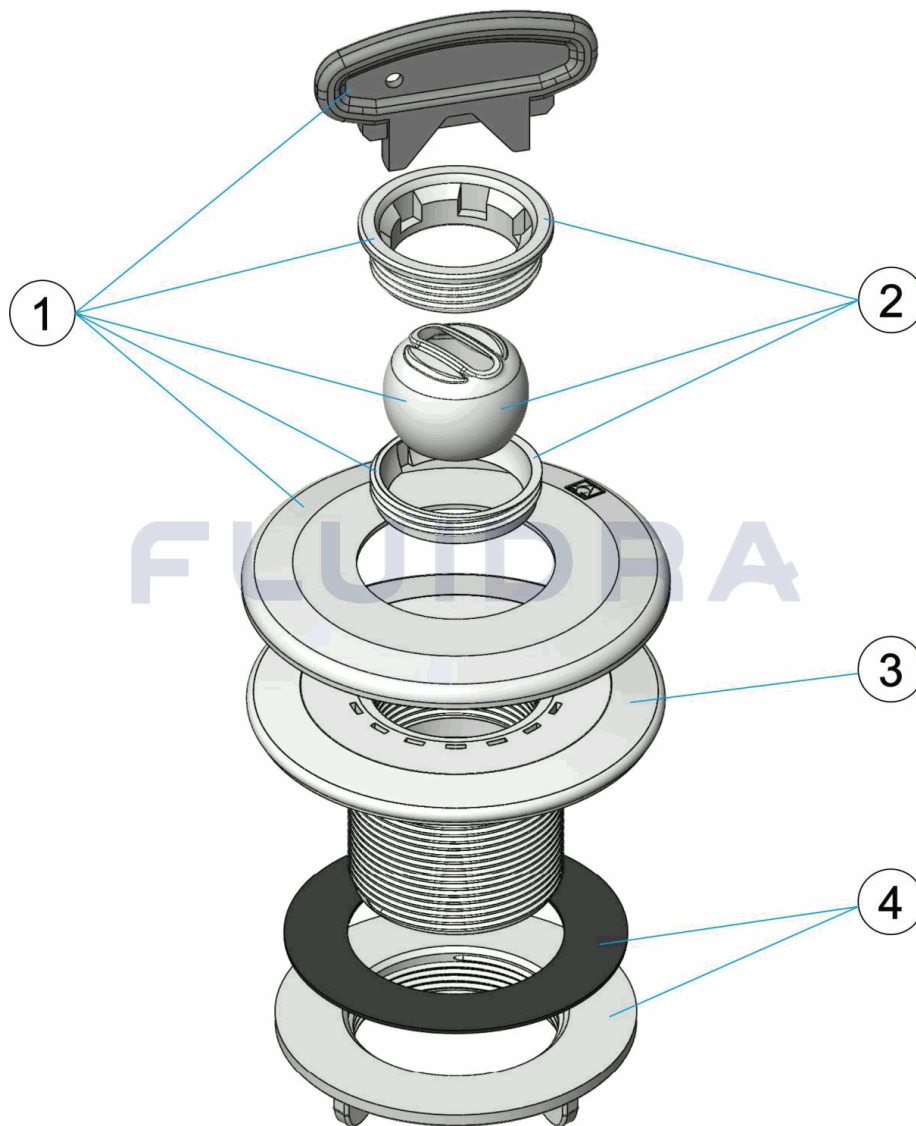
DESCRIPCION: BOQUILLA NORMA IMP. PISC. PREF.

OBSERVACIONES

POS	CODIGO	OBSERVACIONES
1	4402040015	PARA: 56500 BLANCO / WHITE
1	4402040079	PARA: 56500CL090 BEIGE
1	4402040080	PARA: 56500CL129 GRIS / GREY
1	4402040081	PARA: 56500CL144 ANTRACITA / ANTHRACITE
2	4402040016	PARA: 56500 BLANCO / WHITE
2	4402040082	PARA: 56500CL090 BEIGE
2	4402040083	PARA: 56500CL129 GRIS / GREY
2	4402040084	PARA: 56500CL144 ANTRACITA / ANTHRACITE

CODE **56500, 56500CL090, 56500CL129, 56500CL144**

DESCRIPTION: **BUSE NORMA JET PISC. PRÉFABRIQUÉE**



FRANCAIS

POS	CODE	DESCRIPTION	QUANTITE	POS	CODE	DESCRIPTION	QUANTITE
1	* 4402040015	ENS. BOULE RAINURÉE COMPLÈTE		2	* 4402040082	ENS. BOULE RAINURÉE	
1	* 4402040079	ENS. BOULE RAINURÉE COMPLÈTE		2	* 4402040083	ENS. BOULE RAINURÉE	
1	* 4402040080	ENS. BOULE RAINURÉE COMPLÈTE		2	* 4402040084	ENS. BOULE RAINURÉE	
1	* 4402040081	ENS. BOULE RAINURÉE COMPLÈTE		3	4402040035	CORPS DE BOUCHE DE REFOULEMENT 2'	
2	* 4402040016	ENS. BOULE RAINURÉE		4	4402041701	ECROU DE FIXATION AVEC JOINT	

CODE **56500, 56500CL090, 56500CL129, 56500CL144**

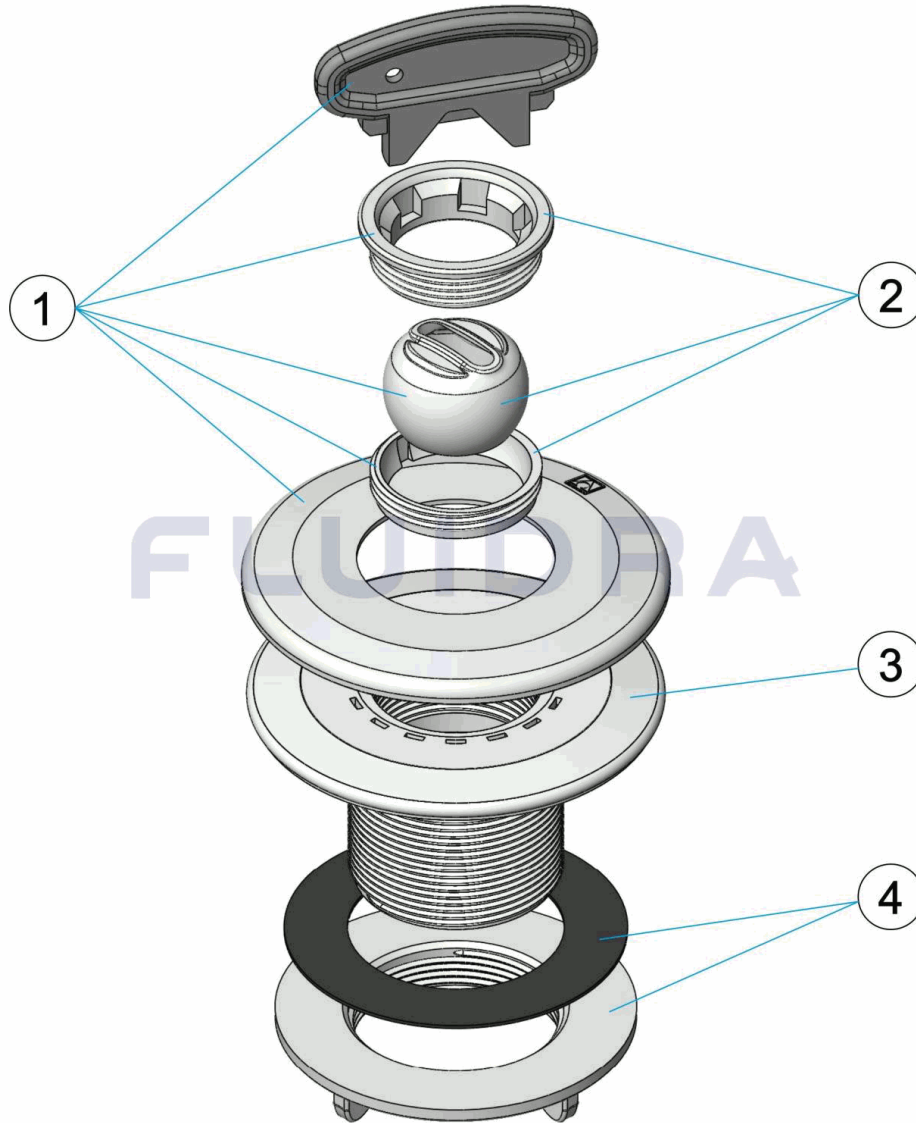
DESCRIPTION: **BUSE NORMA JET PISC. PRÉFABRIQUÉE**

OBSERVATIONS

POS	CODE	OBSERVATIONS
1	4402040015	POUR: 56500 BLANCO / WHITE
1	4402040079	POUR: 56500CL090 BEIGE
1	4402040080	POUR: 56500CL129 GRIS / GREY
1	4402040081	POUR: 56500CL144 ANTRACITA / ANTHRACITE
2	4402040016	POUR: 56500 BLANCO / WHITE
2	4402040082	POUR: 56500CL090 BEIGE
2	4402040083	POUR: 56500CL129 GRIS / GREY
2	4402040084	POUR: 56500CL144 ANTRACITA / ANTHRACITE

CODE **56500, 56500CL090, 56500CL129, 56500CL144**

DESCRIPTION: **NORMA RETURN NOZZLE PREFABRICATED POOL**



ENGLISH

POS	CODE	DESCRIPTION	QUANTITY	POS	CODE	DESCRIPTION	QUANTITY
1	* 4402040015	GROOVED BALL COMPLETE UNIT		2	* 4402040082	GROOVED BALL UNIT	
1	* 4402040079	GROOVED BALL COMPLETE UNIT		2	* 4402040083	GROOVED BALL UNIT	
1	* 4402040080	GROOVED BALL COMPLETE UNIT		2	* 4402040084	GROOVED BALL UNIT	
1	* 4402040081	GROOVED BALL COMPLETE UNIT		3	4402040035	INLET BASE 2"	
2	* 4402040016	GROOVED BALL UNIT		4	4402041701	FIXING NUT AND GASKET	

CODE **56500, 56500CL090, 56500CL129, 56500CL144**

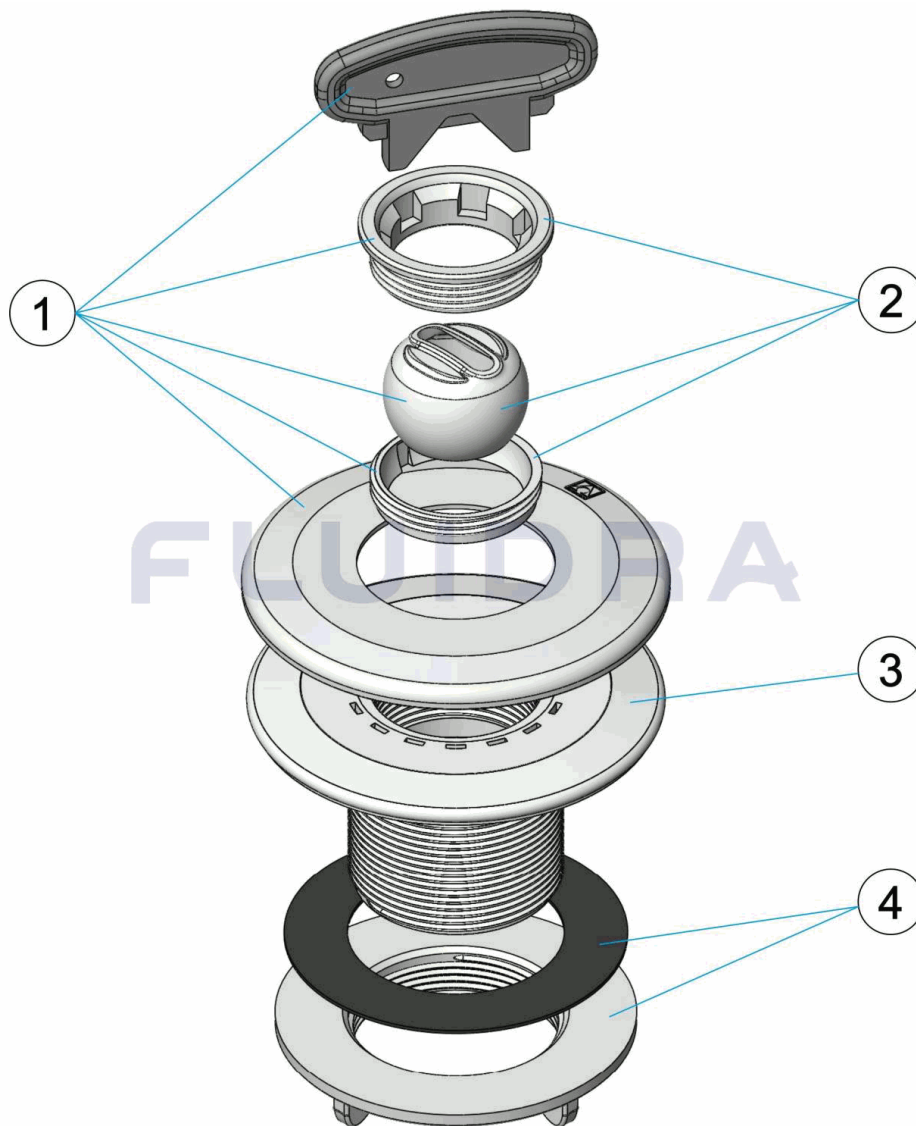
DESCRIPTION: **NORMA RETURN NOZZLE PREFABRICATED POOL**

OBSERVATIONS

POS	CODE	OBSERVATIONS
1	4402040015	FOR: 56500 BLANCO / WHITE
1	4402040079	FOR: 56500CL090 BEIGE
1	4402040080	FOR: 56500CL129 GRIS / GREY
1	4402040081	FOR: 56500CL144 ANTRACITA / ANTHRACITE
2	4402040016	FOR: 56500 BLANCO / WHITE
2	4402040082	FOR: 56500CL090 BEIGE
2	4402040083	FOR: 56500CL129 GRIS / GREY
2	4402040084	FOR: 56500CL144 ANTRACITA / ANTHRACITE

CODICE **56500, 56500CL090, 56500CL129, 56500CL144**

DESCRIZIONE: **BOCCHETTA NORMA DI IMPULSIONE PISC. PREFABRICATA**



ITALIANO

POS	CODICE	DESCRIZIONE	QUANTITA'	POS	CODICE	DESCRIZIONE	QUANTITA'
1	* 4402040015	GRUPPO SFERA SCALANATA COMPLETA		2	* 4402040082	GRUPPO SFERA SCALANATA	
1	* 4402040079	GRUPPO SFERA SCALANATA COMPLETA		2	* 4402040083	GRUPPO SFERA SCALANATA	
1	* 4402040080	GRUPPO SFERA SCALANATA COMPLETA		2	* 4402040084	GRUPPO SFERA SCALANATA	
1	* 4402040081	GRUPPO SFERA SCALANATA COMPLETA		3	4402040035	BASE BOCCHETTA 2"	
2	* 4402040016	GRUPPO SFERA SCALANATA		4	4402041701	GHIERA FISSAGGIO CON GUARNIZIONE	

CODICE **56500, 56500CL090, 56500CL129, 56500CL144**

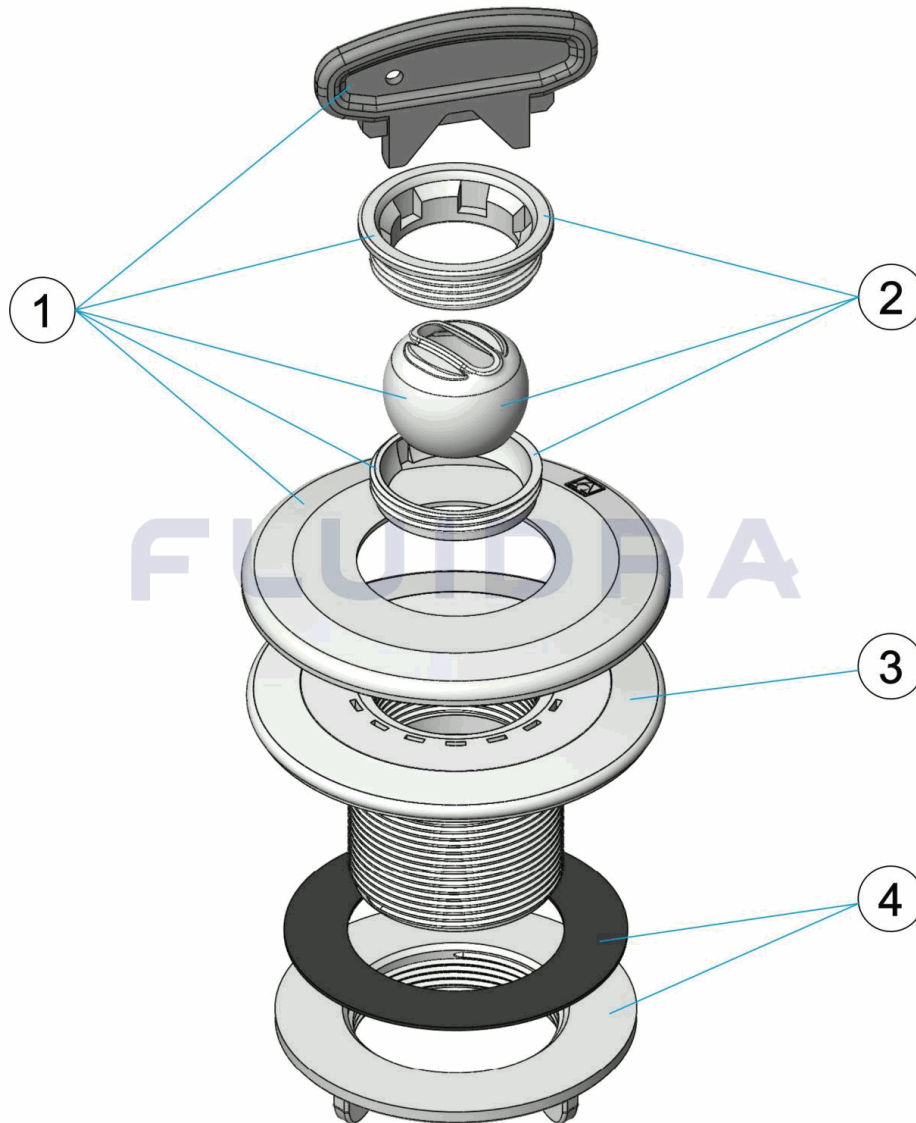
DESCRIZIONE: BOCCHETTA NORMA DI IMPULSIONE PISC. PREFABRICATA

OSSERVAZIONI

POS	CODICE	OSSERVAZIONI
1	4402040015	PER: 56500 BLANCO / WHITE
1	4402040079	PER: 56500CL090 BEIGE
1	4402040080	PER: 56500CL129 GRIS / GREY
1	4402040081	PER: 56500CL144 ANTRACITA / ANTHRACITE
2	4402040016	PER: 56500 BLANCO / WHITE
2	4402040082	PER: 56500CL090 BEIGE
2	4402040083	PER: 56500CL129 GRIS / GREY
2	4402040084	PER: 56500CL144 ANTRACITA / ANTHRACITE

CODE **56500, 56500CL090, 56500CL129, 56500CL144**

BESCHREIBUNG: **EINLAUFDÜSE NORMA FERTIGBECKEN**



DEUTSCH

POS	CODE	BESCHREIBUNG	MENGE	POS	CODE	BESCHREIBUNG	MENGE
1	* 4402040015	SET SCHLITZKUGEL KOMPLETT		2	* 4402040082	SET SCHLITZKUGEL	
1	* 4402040079	SET SCHLITZKUGEL KOMPLETT		2	* 4402040083	SET SCHLITZKUGEL	
1	* 4402040080	SET SCHLITZKUGEL KOMPLETT		2	* 4402040084	SET SCHLITZKUGEL	
1	* 4402040081	SET SCHLITZKUGEL KOMPLETT		3	4402040035	DÜSENBASIS GEWINDE 2"	
2	* 4402040016	SET SCHLITZKUGEL		4	4402041701	FIXIERMUTTER UND DICHTUNG	

CODE **56500, 56500CL090, 56500CL129, 56500CL144**

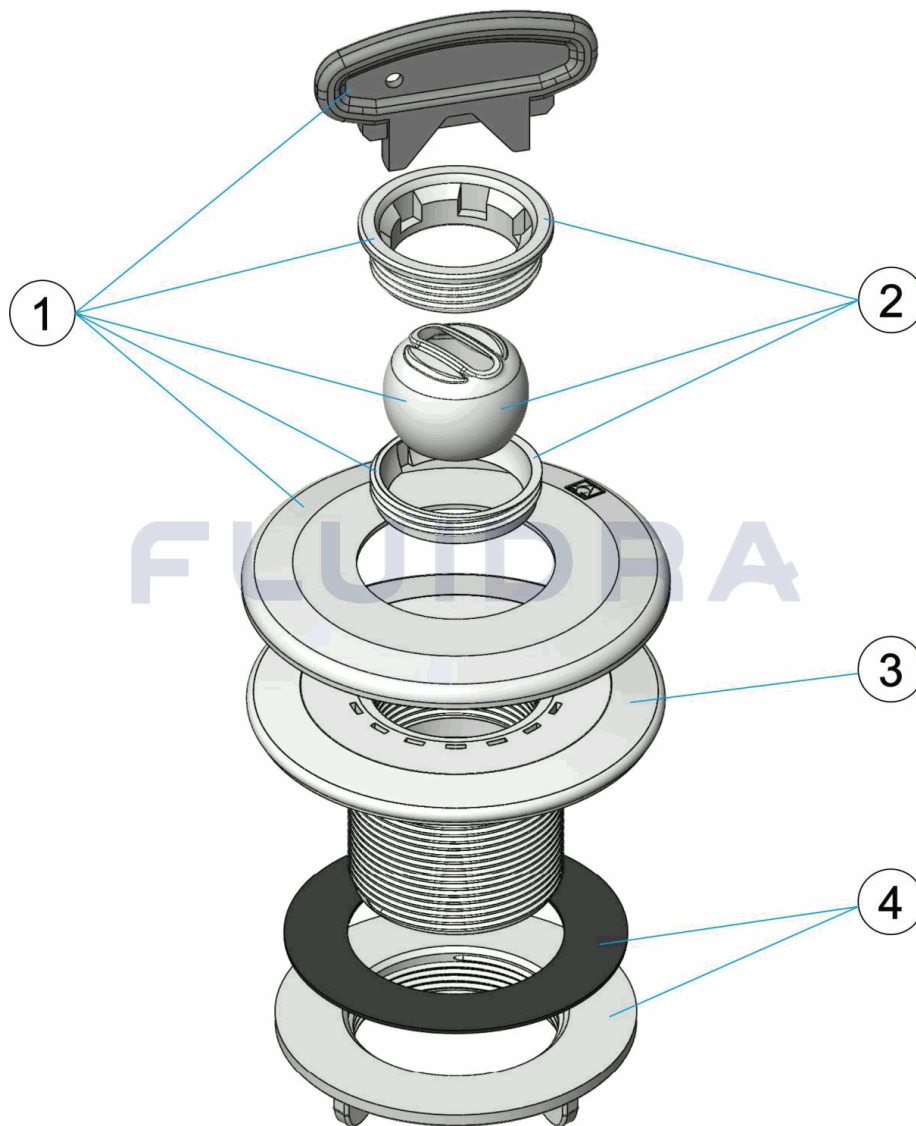
BESCHREIBUNG: **EINLAUFDÜSE NORMA FERTIGBECKEN**

HINWEISE

POS	CODE	HINWEISE
1	4402040015	FÜR: 56500 BLANCO / WHITE
1	4402040079	FÜR: 56500CL090 BEIGE
1	4402040080	FÜR: 56500CL129 GRIS / GREY
1	4402040081	FÜR: 56500CL144 ANTRACITA / ANTHRACITE
2	4402040016	FÜR: 56500 BLANCO / WHITE
2	4402040082	FÜR: 56500CL090 BEIGE
2	4402040083	FÜR: 56500CL129 GRIS / GREY
2	4402040084	FÜR: 56500CL144 ANTRACITA / ANTHRACITE

CODIGO **56500, 56500CL090, 56500CL129, 56500CL144**

DESCRIÇÃO: **BOQUILHA NORMA IMPULSAO PISC. PREFABRICADA**



PORTUGUES

POS	CODIGO	DESCRIÇÃO	QUANTIDADE	POS	CODIGO	DESCRIÇÃO	QUANTIDADE
1	* 4402040015	CJTO. BOLA RANHURADA COMPLETA		2	* 4402040082	CJTO. BOLA RANHURADA	
1	* 4402040079	CJTO. BOLA RANHURADA COMPLETA		2	* 4402040083	CJTO. BOLA RANHURADA	
1	* 4402040080	CJTO. BOLA RANHURADA COMPLETA		2	* 4402040084	CJTO. BOLA RANHURADA	
1	* 4402040081	CJTO. BOLA RANHURADA COMPLETA		3	4402040035	BASE BOCA 2"	
2	* 4402040016	CJTO. BOLA RANHURADA		4	4402041701	PORCA FIXAÇÃO COM JUNTA	

CODIGO 56500, 56500CL090, 56500CL129, 56500CL144

DESCRIÇÃO: BOQUILHA NORMA IMPULSÃO PISC. PREFABRICADA

OBSERVAÇÕES

POS	CODIGO	OBSERVAÇÕES
1	4402040015	PARA: 56500 BLANCO / WHITE
1	4402040079	PARA: 56500CL090 BEIGE
1	4402040080	PARA: 56500CL129 GRIS / GREY
1	4402040081	PARA: 56500CL144 ANTRACITA / ANTHRACITE
2	4402040016	PARA: 56500 BLANCO / WHITE
2	4402040082	PARA: 56500CL090 BEIGE
2	4402040083	PARA: 56500CL129 GRIS / GREY
2	4402040084	PARA: 56500CL144 ANTRACITA / ANTHRACITE