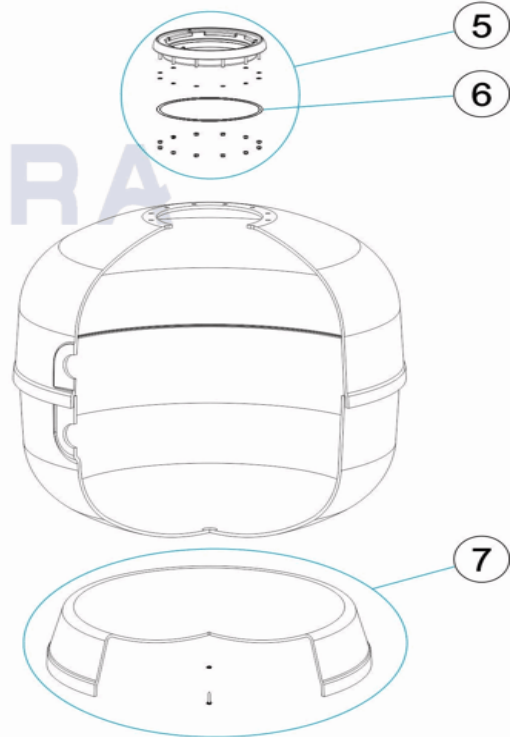
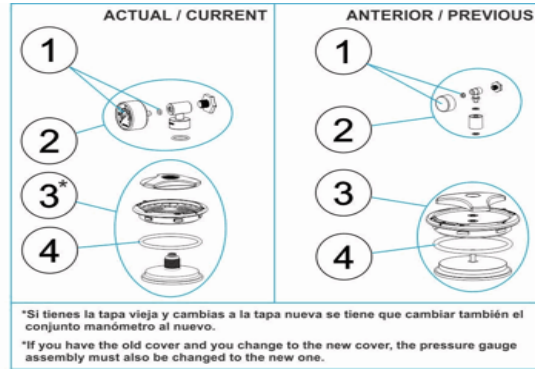
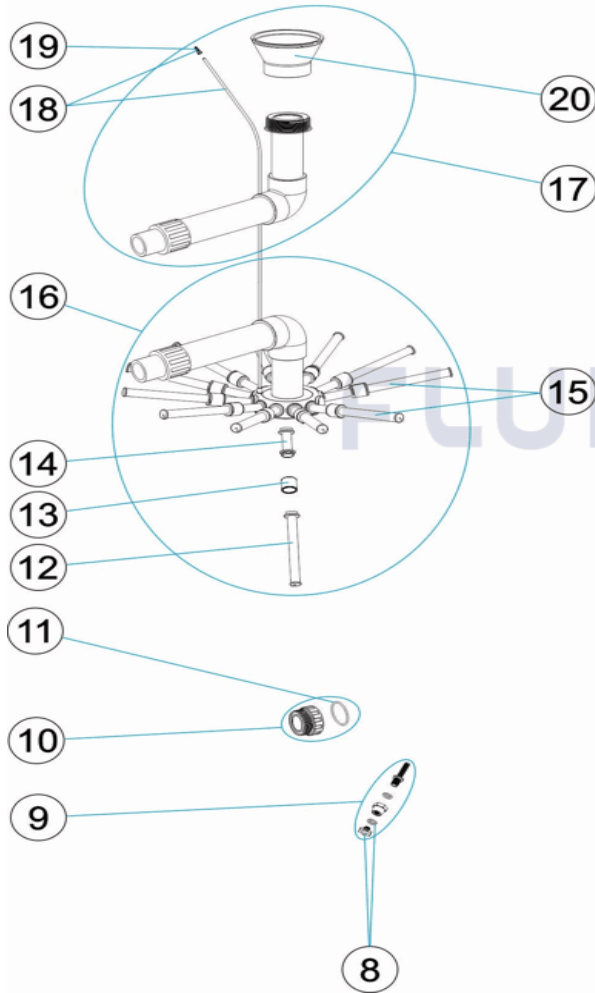


CODIGO **00501, 08133, 40965**

DESCRIPCION: **FILTROS ASTER D. 900**



ESPAÑOL

POS	CODIGO	DESCRIPCION	CANTIDAD	POS	CODIGO	DESCRIPCION	CANTIDAD
1	4404010103	MANOMETRO 1/8" 3 KG./C "		12	* 4404300916	BRAZO COLECTOR 1" 225 M "	
2	* 4404020041	MANOMETRO 1/8' COMPLETO		13	* 4404260418	MANGUITO ENLACE UNION 1"	
2	* 4404190101	MANOMETRO 1/8' COMPLETO		14	* 4404260419	BRAZO COLECTOR 1" 100 M "	
3	* 4404020040	TAPA RAPID COMPLETA		15	4404260401	CJTO. BRAZOS COLECTOR D. 950 - 1050	
3	* 4404020102	TAPA RAPID COMPLETA		16	* 4404010128	CJTO. COLECTOR D. 900 - 2 1/2"	
4	4404020111	JUNTA TAPA		16	* 4404010126	CJTO. COLECTOR D. 900 - 2 1/2" (2008 "	
5	4404020108	ARO TAPA COMPLETO		16	* 4404010125	CJTO. COLECTOR D. 900 - 2"	
6	4404020116	JUNTA TORICA 255X4		16	* 4404040101	CJTO. COLECTOR D. 950 - 2 1/2"	
7	4404010093	PIE FILTRO D. 950		17	* 4404010127	CJTO. DIFUSOR D. 900- 2 1/2" T. HEMBRA	
8	4404040113	TAPON PURGA Y JUNTA		17	* 4404010124	CJTO. DIFUSOR D. 900- 2 1/2" T. MACHO	
9	4404010108	PURGA AGUA 3/8"		17	* 4404010123	CJTO. DIFUSOR D. 900- 2"	
10	* 4404290108	RACOR SALIDA 2 1/2" + JUNTA TORIC "		17	* 4404040106	CJTO. DIFUSOR D. 950 - 2 1/2"	
10	* 4404040112	RACORD SALIDA 2" + JUNTA TORIC "		18	4404300707	TUBO RIGIDO L-845	

CODIGO **00501, 08133, 40965**

DESCRIPCION: **FILTROS ASTER D. 900**

11	* 4404040211	JUNTA TORICA D. 70X5	19	4404040108	PURGA AIRE
11	* 4404040115	JUNTA TORICA D. 60X8	20	* 4404190324	CONO DIFUSOR D.75
20	* 4404300910	CONO DIFUSOR D. 63			

CODIGO 00501, 08133, 40965

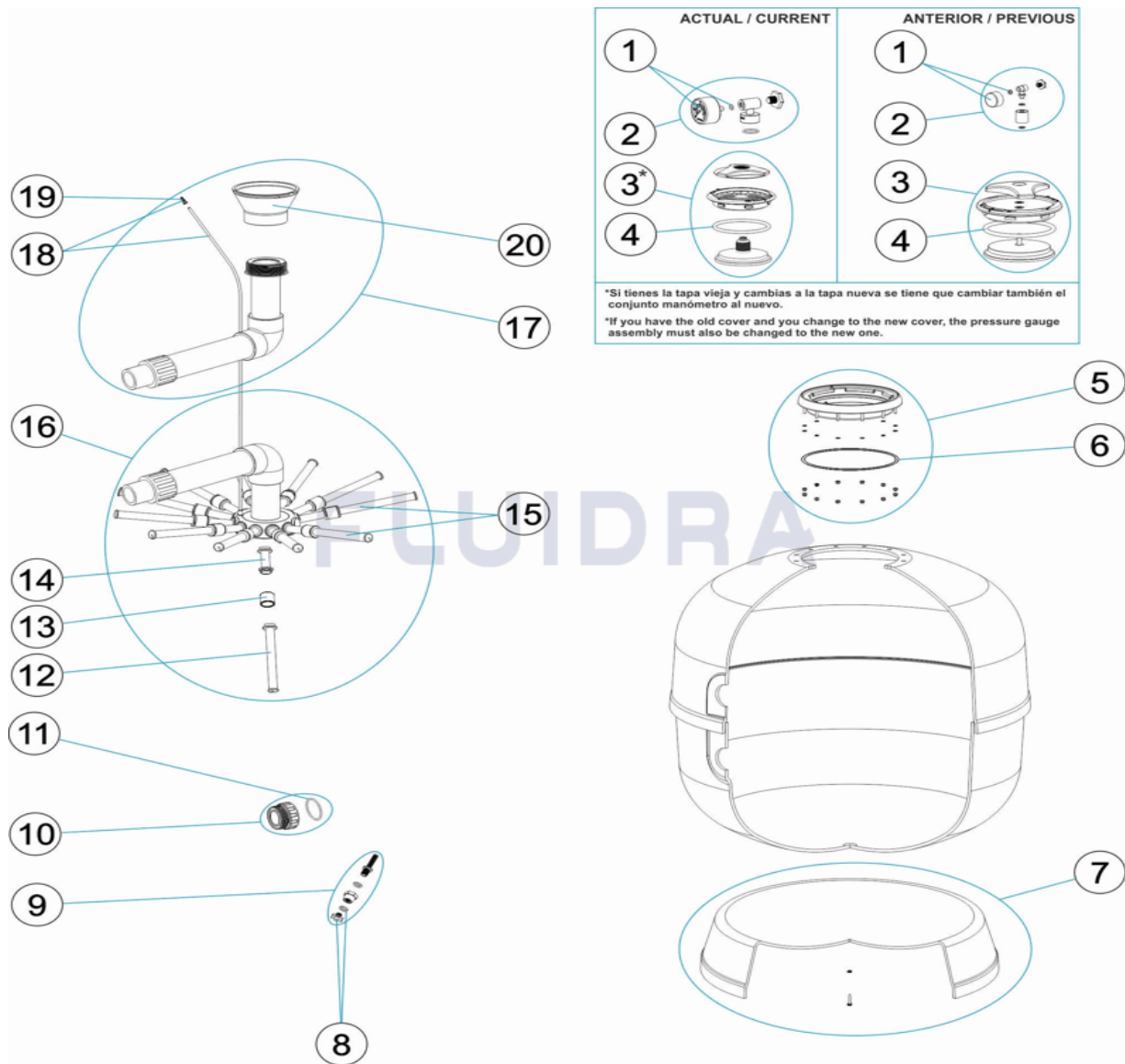
DESCRIPCION: FILTROS ASTER D. 900

OBSERVACIONES

POS	CODIGO	OBSERVACIONES
2	* 4404020041	PARA: MODELO ACTUAL / CURRENT MODEL
2	* 4404190101	PARA: MODELO ANTERIOR / PREVIOUS MODEL
3	* 4404020040	PARA: MODELO ACTUAL / CURRENT MODEL
3	* 4404020102	PARA: MODELO ANTERIOR / PREVIOUS MODEL
10	* 4404290108	PARA: 00501, 40965
10	* 4404040112	PARA: 08133
11	* 4404040211	PARA: 00501, 40965
11	* 4404040115	PARA: 08133
12	* 4404300916	PARA: 00501 [6UT], 08133 [6UT], 40965 [6UT]
13	* 4404260418	PARA: 00501 [3UT], 08133 [3UT], 40965 [3UT]
14	* 4404260419	PARA: 00501 [3UT], 08133 [3UT], 40965 [3UT]
16	* 4404010128	PARA: 00501 ANTERIOR 2008 / PREVIOUS 2008
16	* 4404010126	PARA: 00501 POSTERIOR 2008 / LATER 2008
16	* 4404010125	PARA: 08133
16	* 4404040101	PARA: 40965
17	* 4404010127	PARA: 00501 ANTERIOR 2008 / PREVIOUS 2008
17	* 4404010124	PARA: 00501 POSTERIOR 2008 / LATER 2008
17	* 4404010123	PARA: 08133
17	* 4404040106	PARA: 40965
20	* 4404190324	PARA: 00501
20	* 4404300910	PARA: 08133

CODE **00501, 08133, 40965**

DESCRIPTION: **FILTRES ASTER D. 900**



FRANCAIS

POS	CODE	DESCRIPTION	QUANTITE	POS	CODE	DESCRIPTION	QUANTITE
1	4404010103	MANOMETRE 1/8" 3 KG./C "		12	* 4404300916	BRAS DE REPARTITEUR 1" 225 M "	
2	* 4404020041	MANOMETRE 1/8' COMPLET		13	* 4404260418	MANCHON UNION 1"	
2	* 4404190101	MANOMETRE 1/8' COMPLET		14	* 4404260419	BRAS DE REPARTITEUR 1" 100M "	
3	* 4404020040	COUVERCLE RAPID COMPLET		15	4404260401	ENSEMBLE BRAS DE REPARTITEUR D. 950	
3	* 4404020102	COUVERCLE RAPID COMPLET		16	* 4404010128	ENSEMBLE COLLECTEUR D. 900 - 2 1/2"	
4	4404020111	JOINT DE COUVERCLE		16	* 4404010126	ENSEMBLE COLLECTEUR D. 900 - 2 1/2" (2C	
5	4404020108	BRIDE DE COUVERCLE COMPLETE		16	* 4404010125	ENSEMBLE COLLECTEUR D. 900 - 2"	
6	4404020116	JOINT TORIQUE 255X4		16	* 4404040101	ENSEMBLE COLLECTEUR D. 950 - 2 ½"	
7	4404010093	SOCLE FILTRE D. 950		17	* 4404010127	ENSEMBLE DIFFUSEUR D. 900 - 2 ½" FEME	
8	4404040113	BOUCHON PURGE ET JOINT		17	* 4404010124	ENSEMBLE DIFFUSEUR D. 900 - 2 ½" MÂLE	
9	4404010108	PURGE D'EAU 3/8"		17	* 4404010123	ENSEMBLE DIFFUSEUR D. 900 - 2"	
10	* 4404290108	RACCOR SORTIE 2 1/2" + JOINT TORIQU "		17	* 4404040106	ENSEMBLE DIFFUSEUR D. 950 - 2 ½"	
10	* 4404040112	RACCORD SORTIE 2" + JOINT TORIQU "		18	4404300707	TUBE RIGIDE L-845	

CODE **00501, 08133, 40965**

DESCRIPTION: **FILTRES ASTER D. 900**

11	* 4404040211	JOINT TORIQUE D 70X5	19	4404040108	PURGE D'AIR
11	* 4404040115	JOINT TORIQUE D 60X8	20	* 4404190324	DIFUSOR CONIQUE SUPÉRIOR D. 75
20	* 4404300910	DIFUSOR CONIQUE SUPÉRIOR D. 63			

CODE **00501, 08133, 40965**

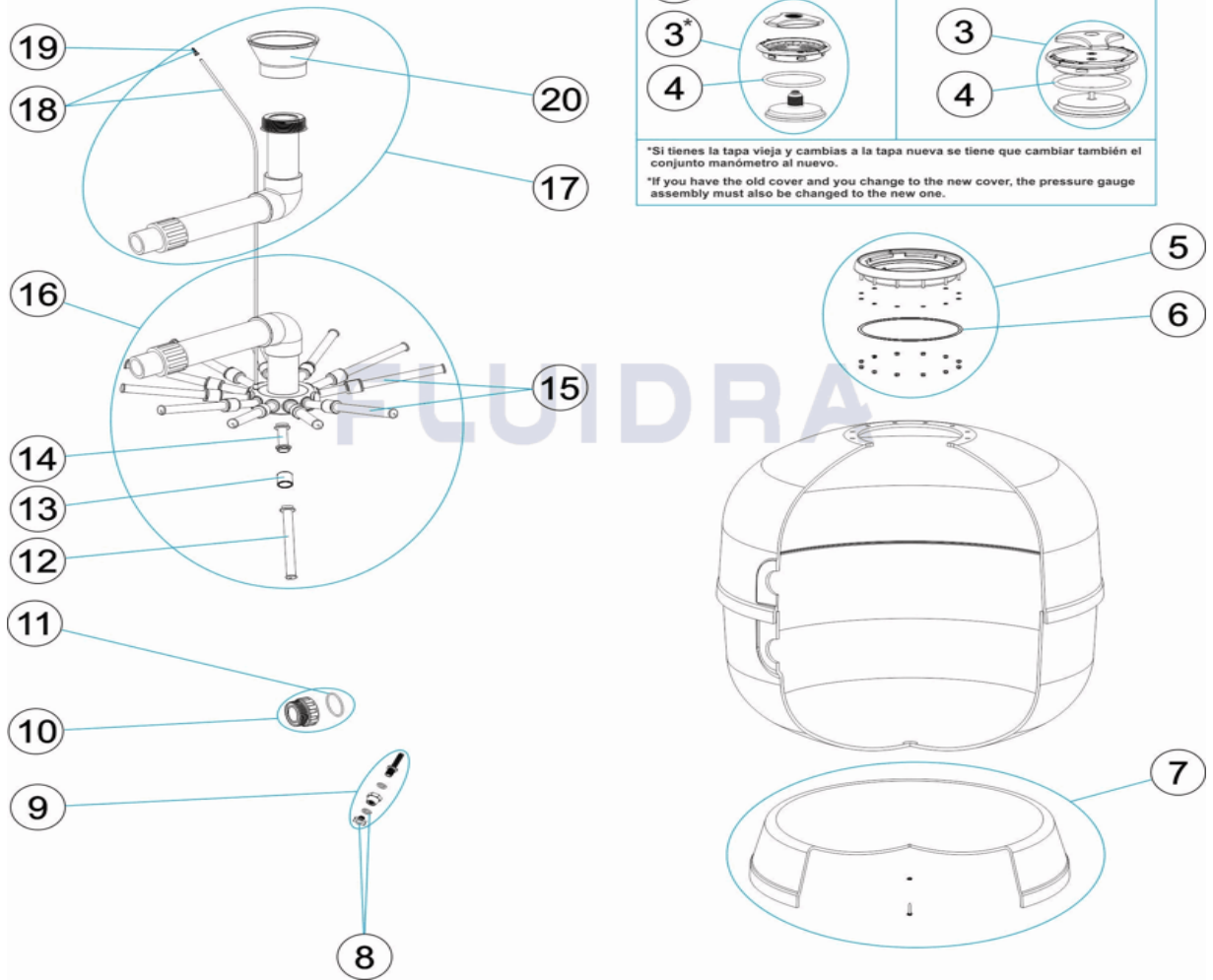
DESCRIPTION: **FILTRES ASTER D. 900**

OBSERVATIONS

POS	CODE	OBSERVATIONS
2	* 4404020041	POUR: MODELO ACTUAL / CURRENT MODEL
2	* 4404190101	POUR: MODELO ANTERIOR / PREVIOUS MODEL
3	* 4404020040	POUR: MODELO ACTUAL / CURRENT MODEL
3	* 4404020102	POUR: MODELO ANTERIOR / PREVIOUS MODEL
10	* 4404290108	POUR: 00501, 40965
10	* 4404040112	POUR: 08133
11	* 4404040211	POUR: 00501, 40965
11	* 4404040115	POUR: 08133
12	* 4404300916	POUR: 00501 [6UT], 08133 [6UT], 40965 [6UT]
13	* 4404260418	POUR: 00501 [3UT], 08133 [3UT], 40965 [3UT]
14	* 4404260419	POUR: 00501 [3UT], 08133 [3UT], 40965 [3UT]
16	* 4404010128	POUR: 00501 ANTERIOR 2008 / PREVIOUS 2008
16	* 4404010126	POUR: 00501 POSTERIOR 2008 / LATER 2008
16	* 4404010125	POUR: 08133
16	* 4404040101	POUR: 40965
17	* 4404010127	POUR: 00501 ANTERIOR 2008 / PREVIOUS 2008
17	* 4404010124	POUR: 00501 POSTERIOR 2008 / LATER 2008
17	* 4404010123	POUR: 08133
17	* 4404040106	POUR: 40965
20	* 4404190324	POUR: 00501
20	* 4404300910	POUR: 08133

CODE **00501, 08133, 40965**

DESCRIPTION: **ASTER FILTERS D. 900**



ENGLISH

POS	CODE	DESCRIPTION	QUANTITY	POS	CODE	DESCRIPTION	QUANTITY
1	4404010103	PRESSURE GAUGE 1/8" 3 KG./C "		12	* 4404300916	MANIFOLD ARM 1" 225 M "	
2	* 4404020041	PRESSURE GAUGE UNIT 1/8'		13	* 4404260418	UNION 1"	
2	* 4404190101	PRESSURE GAUGE UNIT 1/8'		14	* 4404260419	MANIFOLD ARM 1" 100 M "	
3	* 4404020040	QUICK CLOSING LID UNIT		15	4404260401	MANIFOLD ARM ASSEMBLY D. 950-1050	
3	* 4404020102	QUICK CLOSING LID UNIT		16	* 4404010128	MANIFOLD ASSEMBLY D. 900 - 2 1/2"	
4	4404020111	LID GASKET		16	* 4404010126	MANIFOLD ASSEMBLY D. 900 - 2 1/2" (2008'	
5	4404020108	LID RING UNIT		16	* 4404010125	MANIFOLD ASSEMBLY D. 900 - 2"	
6	4404020116	O' RING 255X4		16	* 4404040101	MANIFOLD ASSEMBLY D. 950 - 2 1/2"	
7	4404010093	FILTER BASE D. 950		17	* 4404010127	DIFFUSER ASSEMBLY D. 900 2 1/2" FEMALE	
8	4404040113	DRAIN PLUG AND GASKET		17	* 4404010124	DIFFUSER ASSEMBLY D. 900 2 1/2" MALE	
9	4404010108	WATER PURGE 3/8"		17	* 4404010123	DIFFUSER ASSEMBLY D. 900 2"	
10	* 4404290108	OUTLET UNION 2 1/2" + O-RIN "		17	* 4404040106	DIFFUSER ASSEMBLY D. 950 - 2 1/2"	
10	* 4404040112	2" OUTLET FITTING + O'RIN "		18	4404300707	RIGID PIPE L-845	

CODE **00501, 08133, 40965**

DESCRIPTION: **ASTER FILTERS D. 900**

11	* 4404040211	O' RING D. 70X5	19	4404040108	AIR PURGE
11	* 4404040115	O' RING D. 60X8	20	* 4404190324	DIFFUSER CONE D. 75
20	* 4404300910	DIFFUSER CONE D. 63			

CODE **00501, 08133, 40965**

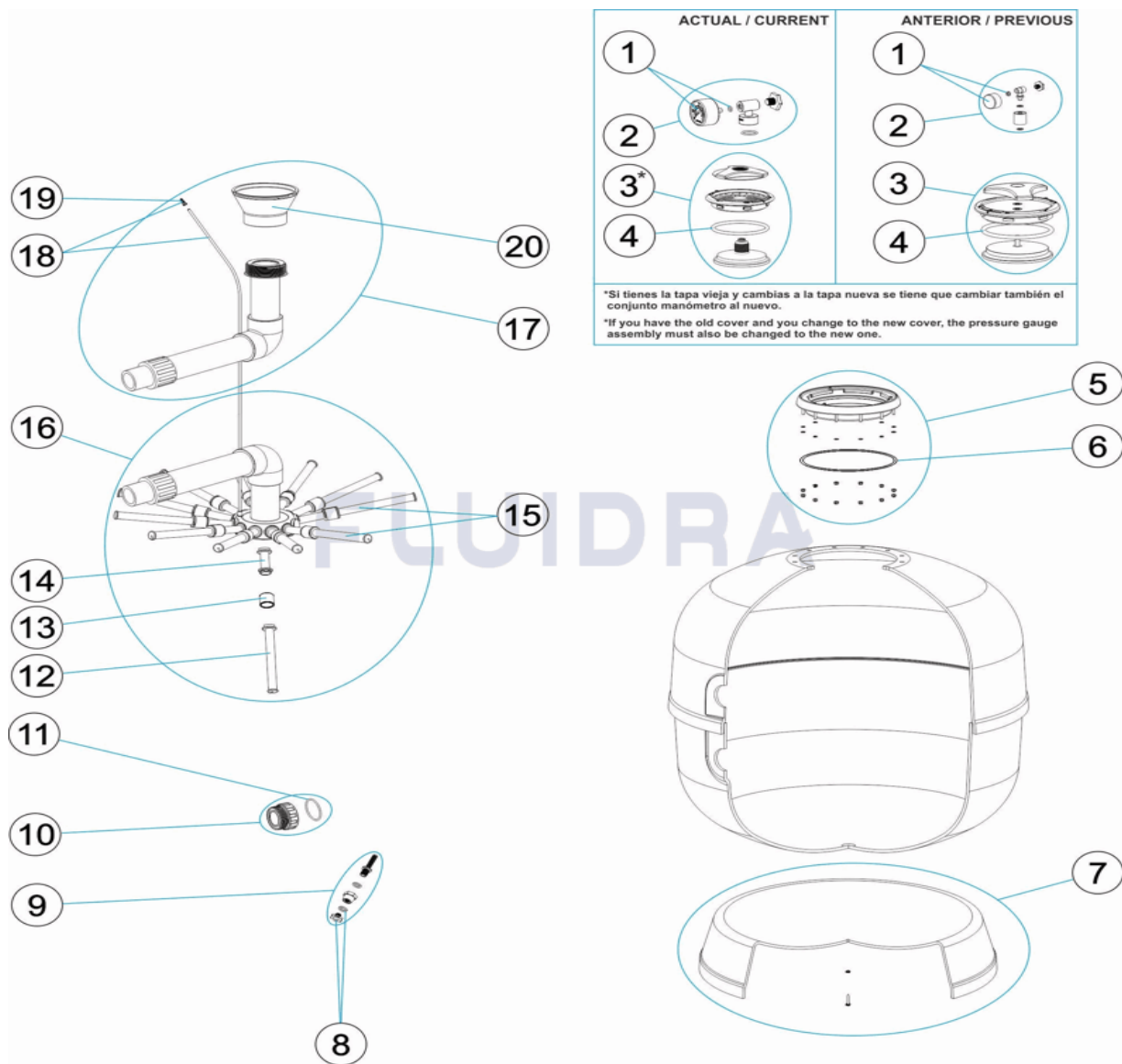
DESCRIPTION: **ASTER FILTERS D. 900**

OBSERVATIONS

POS	CODE	OBSERVATIONS
2	* 4404020041	FOR: MODELO ACTUAL / CURRENT MODEL
2	* 4404190101	FOR: MODELO ANTERIOR / PREVIOUS MODEL
3	* 4404020040	FOR: MODELO ACTUAL / CURRENT MODEL
3	* 4404020102	FOR: MODELO ANTERIOR / PREVIOUS MODEL
10	* 4404290108	FOR: 00501, 40965
10	* 4404040112	FOR: 08133
11	* 4404040211	FOR: 00501, 40965
11	* 4404040115	FOR: 08133
12	* 4404300916	FOR: 00501 [6UT], 08133 [6UT], 40965 [6UT]
13	* 4404260418	FOR: 00501 [3UT], 08133 [3UT], 40965 [3UT]
14	* 4404260419	FOR: 00501 [3UT], 08133 [3UT], 40965 [3UT]
16	* 4404010128	FOR: 00501 ANTERIOR 2008 / PREVIOUS 2008
16	* 4404010126	FOR: 00501 POSTERIOR 2008 / LATER 2008
16	* 4404010125	FOR: 08133
16	* 4404040101	FOR: 40965
17	* 4404010127	FOR: 00501 ANTERIOR 2008 / PREVIOUS 2008
17	* 4404010124	FOR: 00501 POSTERIOR 2008 / LATER 2008
17	* 4404010123	FOR: 08133
17	* 4404040106	FOR: 40965
20	* 4404190324	FOR: 00501
20	* 4404300910	FOR: 08133

CODICE **00501, 08133, 40965**

DESCRIZIONE: **FILTRI ASTER D. 900**



ITALIANO

POS	CODICE	DESCRIZIONE	QUANTITA'	POS	CODICE	DESCRIZIONE	QUANTITA'
1	4404010103	MANOMETRO 1/8" 3 KG./C "		12	* 4404300916	CANDELOTTO COLLECTORE 1" 225 M "	
2	* 4404020041	MANOMETRO 1/8" COMPLETO		13	* 4404260418	MANICOTTO DA 1" PER CANDELOTT "	
2	* 4404190101	MANOMETRO 1/8" COMPLETO		14	* 4404260419	CANDELOTTO COLLECTORE 1" 100M "	
3	* 4404020040	COPERCHIO RAPID COMPLETO		15	4404260401	GRUPPO CANDELOTTO COLLECTORE D. 9	
3	* 4404020102	COPERCHIO RAPID COMPLETO		16	* 4404010128	KIT COLLETTORE D. 900 - 2 1/2"	
4	4404020111	GUARNIZIONE COPERCHIO		16	* 4404010126	KIT COLLETTORE D. 900 - 2 1/2" (2008 "	
5	4404020108	FLANGIA COPERCHIO COMPLETO		16	* 4404010125	KIT COLLETTORE D. 900 - 2"	
6	4404020116	O-RING 255X4		16	* 4404040101	KIT COLLETTORE D. 950 - 2 1/2"	
7	4404010093	BASE FILTRO D. 950		17	* 4404010127	RACCORDO DIFFUSORE D. 900 - 2 1/2" FEMI	
8	4404040113	TAPPO SPURGO E GUARNIZIONE		17	* 4404010124	RACCORDO DIFFUSORE D. 900 - 2 1/2" MAS	
9	4404010108	SCARICO ACQUA 3/8"		17	* 4404010123	RACCORDO DIFFUSORE D. 900 - 2"	
10	* 4404290108	RACCORDO USCITA 2 1/2" + O-RIN "		17	* 4404040106	RACCORDO DIFFUSORE D. 950 - 2 1/2"	
10	* 4404040112	RACCORDO USCITA 2" + O-RING		18	4404300707	TUBO RIGIDO L-845	

CODICE **00501, 08133, 40965**

DESCRIZIONE: **FILTRI ASTER D. 900**

11	* 4404040211	O-RING D 70X5	19	4404040108	SFIATO ARIA
11	* 4404040115	O-RING D 60X8	20	* 4404190324	CONO DIFFUSORE D. 75
20	* 4404300910	CONO DIFFUSORE D. 63			

CODICE **00501, 08133, 40965**

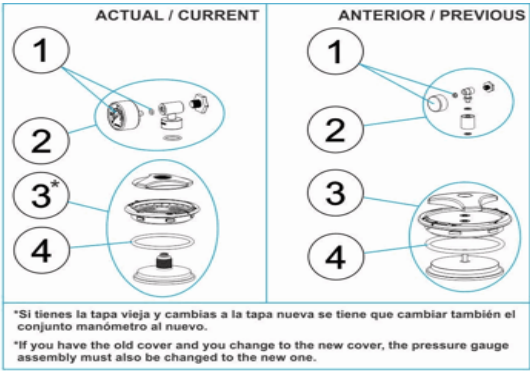
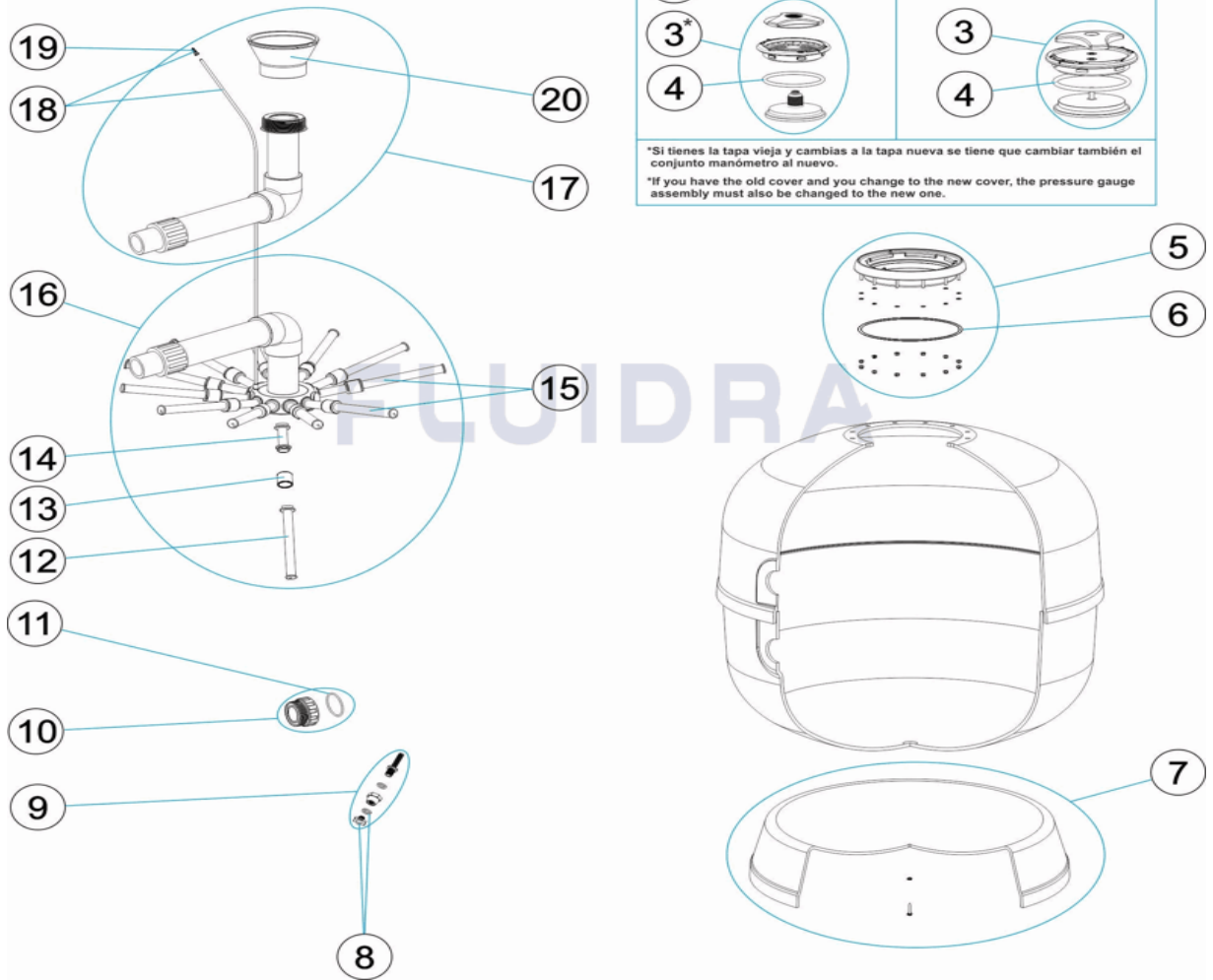
DESCRIZIONE: **FILTRI ASTER D. 900**

OSSERVAZIONI

POS	CODICE	OSSERVAZIONI
2	* 4404020041	PER: MODELO ACTUAL / CURRENT MODEL
2	* 4404190101	PER: MODELO ANTERIOR / PREVIOUS MODEL
3	* 4404020040	PER: MODELO ACTUAL / CURRENT MODEL
3	* 4404020102	PER: MODELO ANTERIOR / PREVIOUS MODEL
10	* 4404290108	PER: 00501, 40965
10	* 4404040112	PER: 08133
11	* 4404040211	PER: 00501, 40965
11	* 4404040115	PER: 08133
12	* 4404300916	PER: 00501 [6UT], 08133 [6UT], 40965 [6UT]
13	* 4404260418	PER: 00501 [3UT], 08133 [3UT], 40965 [3UT]
14	* 4404260419	PER: 00501 [3UT], 08133 [3UT], 40965 [3UT]
16	* 4404010128	PER: 00501 ANTERIOR 2008 / PREVIOUS 2008
16	* 4404010126	PER: 00501 POSTERIOR 2008 / LATER 2008
16	* 4404010125	PER: 08133
16	* 4404040101	PER: 40965
17	* 4404010127	PER: 00501 ANTERIOR 2008 / PREVIOUS 2008
17	* 4404010124	PER: 00501 POSTERIOR 2008 / LATER 2008
17	* 4404010123	PER: 08133
17	* 4404040106	PER: 40965
20	* 4404190324	PER: 00501
20	* 4404300910	PER: 08133

CODE **00501, 08133, 40965**

BESCHREIBUNG: **FILTER ASTER D. 900**



DEUTSCH

POS	CODE	BESCHREIBUNG	MENGE	POS	CODE	BESCHREIBUNG	MENGE
1	4404010103	MANOMETER 1/8" 3 KG/C "		12	* 4404300916	FILTERSTERN-SCHLITZROHR 1" 225 M "	
2	* 4404020041	MANOMETER 1/8' KOMPLETT		13	* 4404260418	NIPPEL ANSCHLUSSVERBINDUNG 1"	
2	* 4404190101	MANOMETER 1/8' KOMPLETT		14	* 4404260419	FILTERSTERN-SCHLITZROHR 1" 100 M "	
3	* 4404020040	ABDECKUNG RAPID KOMPLETT		15	4404260401	SET FILTERSTERN-SCHLITZROHR D. 950 -	
3	* 4404020102	ABDECKUNG RAPID KOMPLETT		16	* 4404010128	SAMMELROHRSET D. 900 - 2 1/2"	
4	4404020111	DICHTUNG ABDECKUNG		16	* 4404010126	SAMMELROHRSET D. 900 - 2 1/2" (2008 "	
5	4404020108	RING ABDECKUNG KOMPLETT		16	* 4404010125	SAMMELROHRSET D. 900 - 2"	
6	4404020116	O-RING 255 X 4		16	* 4404040101	SAMMELROHRSET D. 950 - 2 1/2"	
7	4404010093	FILTERFUSS D. 950		17	* 4404010127	SET WASSERVERTEILER D. 900 - 2 1/2" WEIß	
8	4404040113	ABLASSSTOPFEN UND DICHTUNG		17	* 4404010124	SET WASSERVERTEILER D. 900 - 2 1/2" MÄN	
9	4404010108	WASSERABLASS 3/8"		17	* 4404010123	SET WASSERVERTEILER D. 900 - 2"	
10	* 4404290108	GEWINDESTÜCK AUSGANG 2 1/2" UND O-I		17	* 4404040106	SET WASSERVERTEILER D. 950 - 2 1/2"	
10	* 4404040112	GEWINDESTÜCK AUSGANG 2" UND O-RIN		18	4404300707	ROHR HART L - 845	

* SIEHE ANMERKUGSBLATT

CODE **00501, 08133, 40965**

BESCHREIBUNG: **FILTER ASTER D. 900**

11	* 4404040211	O-RING D. 70 X 5	19	4404040108	ENTLÜFTUNG
11	* 4404040115	O-RING D. 60 X 8	20	* 4404190324	KEGEL WASSERVERTEILER D. 75
20	* 4404300910	KEGEL WASSERVERTEILER D. 63			

CODE **00501, 08133, 40965**

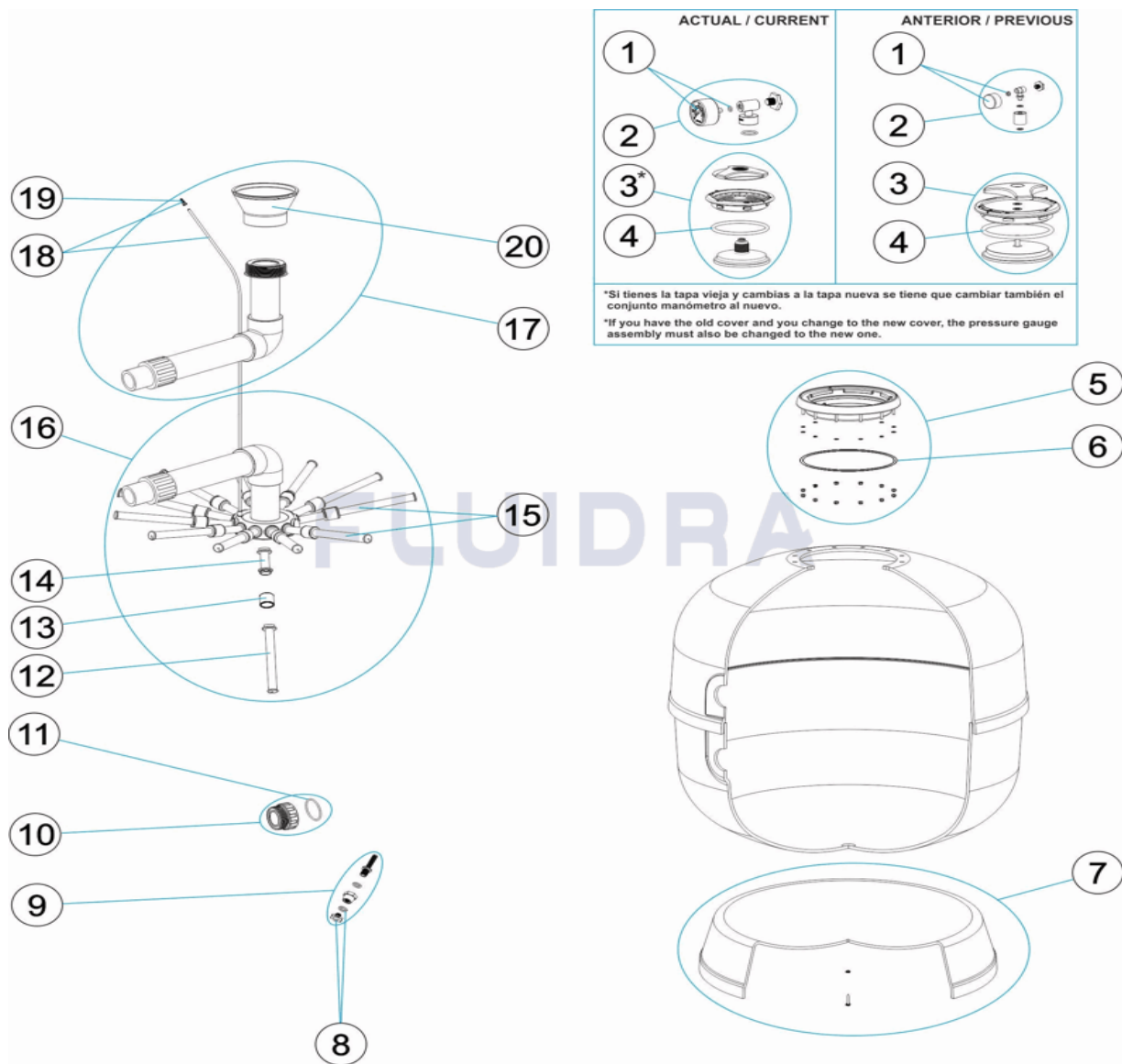
BESCHREIBUNG: **FILTER ASTER D. 900**

HINWEISE

POS	CODE	HINWEISE
2	* 4404020041	FÜR: MODELO ACTUAL / CURRENT MODEL
2	* 4404190101	FÜR: MODELO ANTERIOR / PREVIOUS MODEL
3	* 4404020040	FÜR: MODELO ACTUAL / CURRENT MODEL
3	* 4404020102	FÜR: MODELO ANTERIOR / PREVIOUS MODEL
10	* 4404290108	FÜR: 00501, 40965
10	* 4404040112	FÜR: 08133
11	* 4404040211	FÜR: 00501, 40965
11	* 4404040115	FÜR: 08133
12	* 4404300916	FÜR: 00501 [6UT], 08133 [6UT], 40965 [6UT]
13	* 4404260418	FÜR: 00501 [3UT], 08133 [3UT], 40965 [3UT]
14	* 4404260419	FÜR: 00501 [3UT], 08133 [3UT], 40965 [3UT]
16	* 4404010128	FÜR: 00501 ANTERIOR 2008 / PREVIOUS 2008
16	* 4404010126	FÜR: 00501 POSTERIOR 2008 / LATER 2008
16	* 4404010125	FÜR: 08133
16	* 4404040101	FÜR: 40965
17	* 4404010127	FÜR: 00501 ANTERIOR 2008 / PREVIOUS 2008
17	* 4404010124	FÜR: 00501 POSTERIOR 2008 / LATER 2008
17	* 4404010123	FÜR: 08133
17	* 4404040106	FÜR: 40965
20	* 4404190324	FÜR: 00501
20	* 4404300910	FÜR: 08133

CODIGO **00501, 08133, 40965**

DESCRICÃO: **FILTRO ASTER D. 900**



PORTUGUES

POS	CODIGO	DESCRICÃO	JANTIDADE	POS	CODIGO	DESCRICÃO	JANTIDADE
1	4404010103	MANOMETRO 1/8" 3 KG./C "		12	* 4404300916	BRAÇO COLECTOR 1" 225 M "	
2	* 4404020041	MANÓMETRO 1/8" COMPLETO		13	* 4404260418	RACCORD UNIÃO 1"	
2	* 4404190101	MANÓMETRO 1/8" COMPLETO		14	* 4404260419	BRAÇO COLECTOR 1" 100M "	
3	* 4404020040	TAMPA RÁPIDA COMPLETA		15	4404260401	CJTO. BRAÇO COLECTOR D.950-1050	
3	* 4404020102	TAMPA RÁPIDA COMPLETA		16	* 4404010128	CJTO. COLECTOR D. 900 - 2 1/2"	
4	4404020111	JUNTA TAMPA		16	* 4404010126	CJTO. COLECTOR D. 900 - 2 1/2" (2008 "	
5	4404020108	ARO TAMPA COMPLETO		16	* 4404010125	CJTO. COLECTOR D. 900 - 2"	
6	4404020116	JUNTA TÓRICA 255X4		16	* 4404040101	CJTO. COLECTOR D. 950 - 2 ½"	
7	4404010093	PÉ FILTRO D. 950		17	* 4404010127	CJTO. DIFUSOR D. 900 - 2 1/2" T. FÊMEA	
8	4404040113	TAMPÃO PURGA E JUNTA		17	* 4404010124	CJTO. DIFUSOR D. 900 - 2 1/2" T. MACHO	
9	4404010108	PURGA AGUA 3/8"		17	* 4404010123	CJTO. DIFUSOR D. 900 - 2"	
10	* 4404290108	RACORD DE SAIDA 2 1/2" + JUNTA TÓRICA		17	* 4404040106	CJTO. DIFUSOR D. 950 - 2 ½"	
10	* 4404040112	ACOPLADOR SAÍDA 2" + JUNTA TORIC "		18	4404300707	TUBO RÍGIDO L-845	

CODIGO **00501, 08133, 40965**

DESCRIÇÃO: **FILTRO ASTER D. 900**

11	* 4404040211	JUNTA TÓRICA D 70X5	19	4404040108	PURGA AREIA
11	* 4404040115	JUNTA TÓRICA D 60X8	20	* 4404190324	CONO DIFUSOR D. 75
20	* 4404300910	CONO DIFUSOR D. 63			

CODIGO 00501, 08133, 40965

DESCRIÇÃO: FILTRO ASTER D. 900

OBSERVAÇÕES

POS	CODIGO	OBSERVAÇÕES
2	* 4404020041	PARA: MODELO ACTUAL / CURRENT MODEL
2	* 4404190101	PARA: MODELO ANTERIOR / PREVIOUS MODEL
3	* 4404020040	PARA: MODELO ACTUAL / CURRENT MODEL
3	* 4404020102	PARA: MODELO ANTERIOR / PREVIOUS MODEL
10	* 4404290108	PARA: 00501, 40965
10	* 4404040112	PARA: 08133
11	* 4404040211	PARA: 00501, 40965
11	* 4404040115	PARA: 08133
12	* 4404300916	PARA: 00501 [6UT], 08133 [6UT], 40965 [6UT]
13	* 4404260418	PARA: 00501 [3UT], 08133 [3UT], 40965 [3UT]
14	* 4404260419	PARA: 00501 [3UT], 08133 [3UT], 40965 [3UT]
16	* 4404010128	PARA: 00501 ANTERIOR 2008 / PREVIOUS 2008
16	* 4404010126	PARA: 00501 POSTERIOR 2008 / LATER 2008
16	* 4404010125	PARA: 08133
16	* 4404040101	PARA: 40965
17	* 4404010127	PARA: 00501 ANTERIOR 2008 / PREVIOUS 2008
17	* 4404010124	PARA: 00501 POSTERIOR 2008 / LATER 2008
17	* 4404010123	PARA: 08133
17	* 4404040106	PARA: 40965
20	* 4404190324	PARA: 00501
20	* 4404300910	PARA: 08133