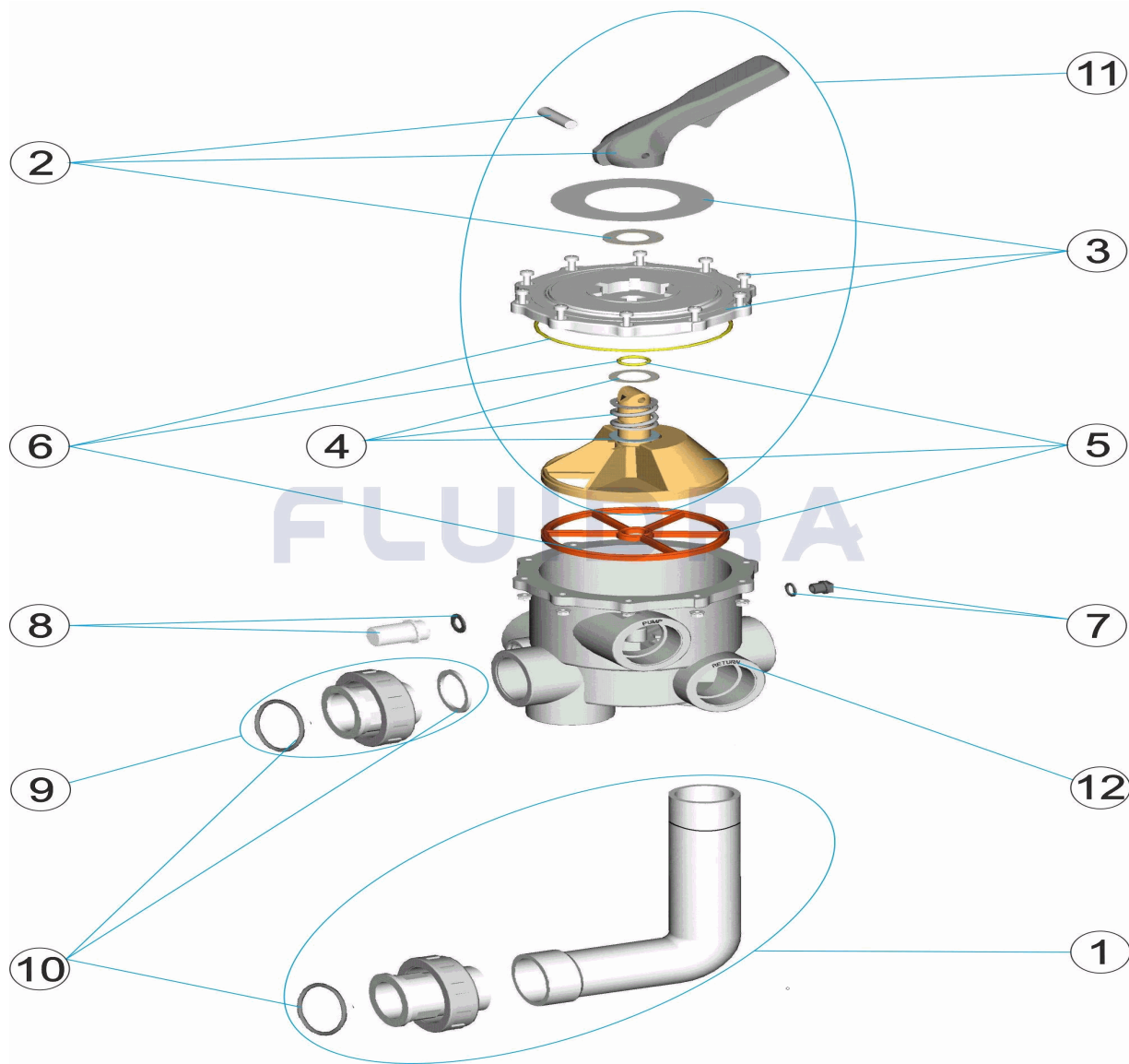


CODIGO **21263**

DESCRIPCION: **VALVULA SELECTORA 2" MONOBLOC P-3"**

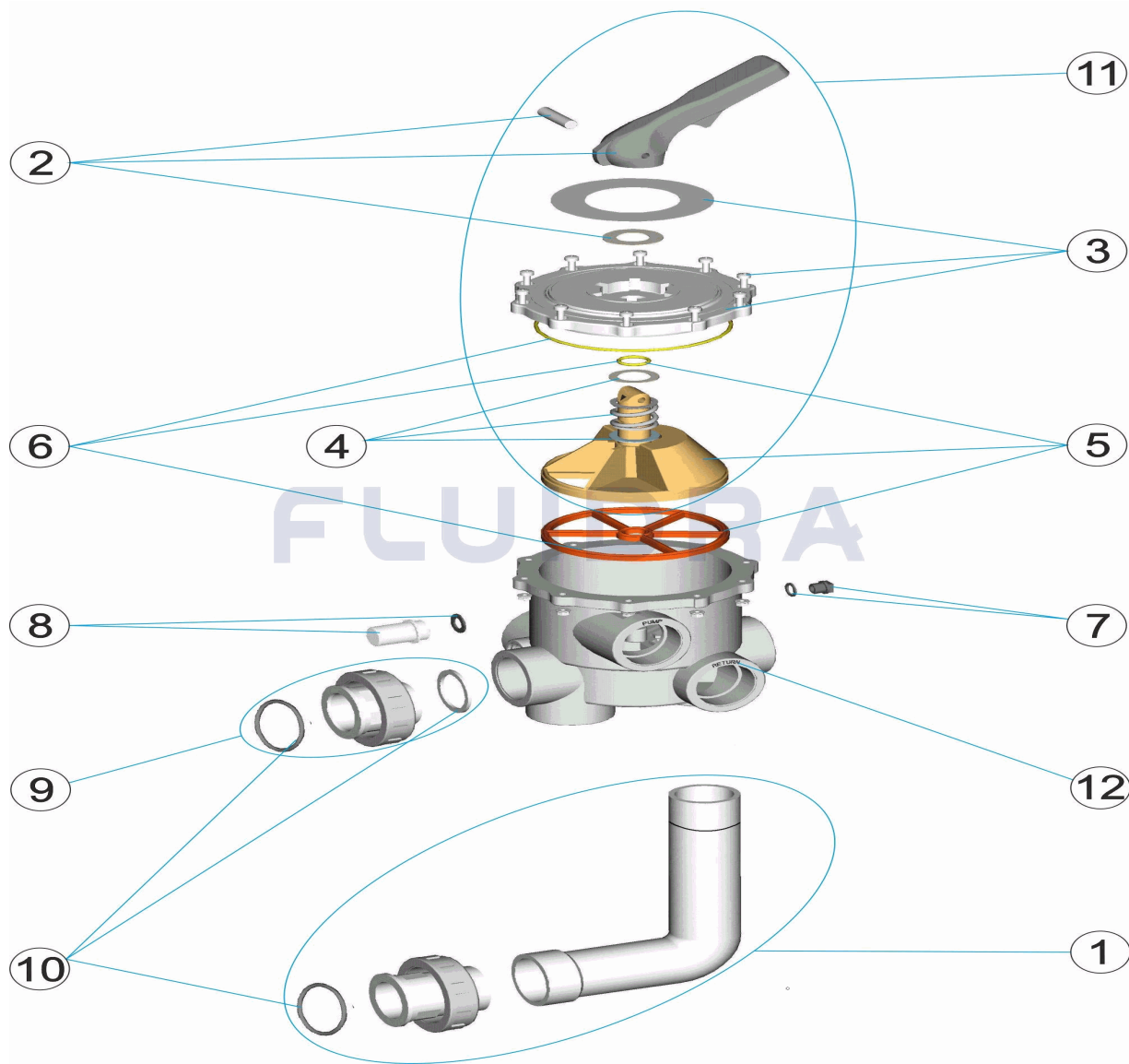


ESPAÑOL

POS	CODIGO	DESCRIPCION	CANTIDAD	POS	CODIGO	DESCRIPCION	CANTIDAD
1	4404121601	ENLACA ACODADO NEGRO 2"		7	4404121107	TAPON 1/4 VALVULA	
2	4404120402	MANETA NEGRA VALVULA 2"		8	4404120108	VISOR CON JUNTA	
3	4404120403	TAPA CON CARATULA NEGRA 2"		9	4404120502	ENLACE RECTO NEGRO 2' NUEVO	
4	4404120105	RESORTE CON ARANDELAS		10	4404120505	JUNTAS ENLACE 2'	
5	4404120406	DISTRIBUIDOR CON JUNTAS 2' NUEVO		11	4404120410	TAPA DISTRIBUIDOR NEGRA 2' NUEVA	
6	4404120407	JUNTAS VALVULA 2'		12	07444R0101	CUERPO NEGRO 2" POSICION 3 CON RAC	

CODE 21263

DESCRIPTION: SÉLECTEUR 2" MONOBLOC P-3"

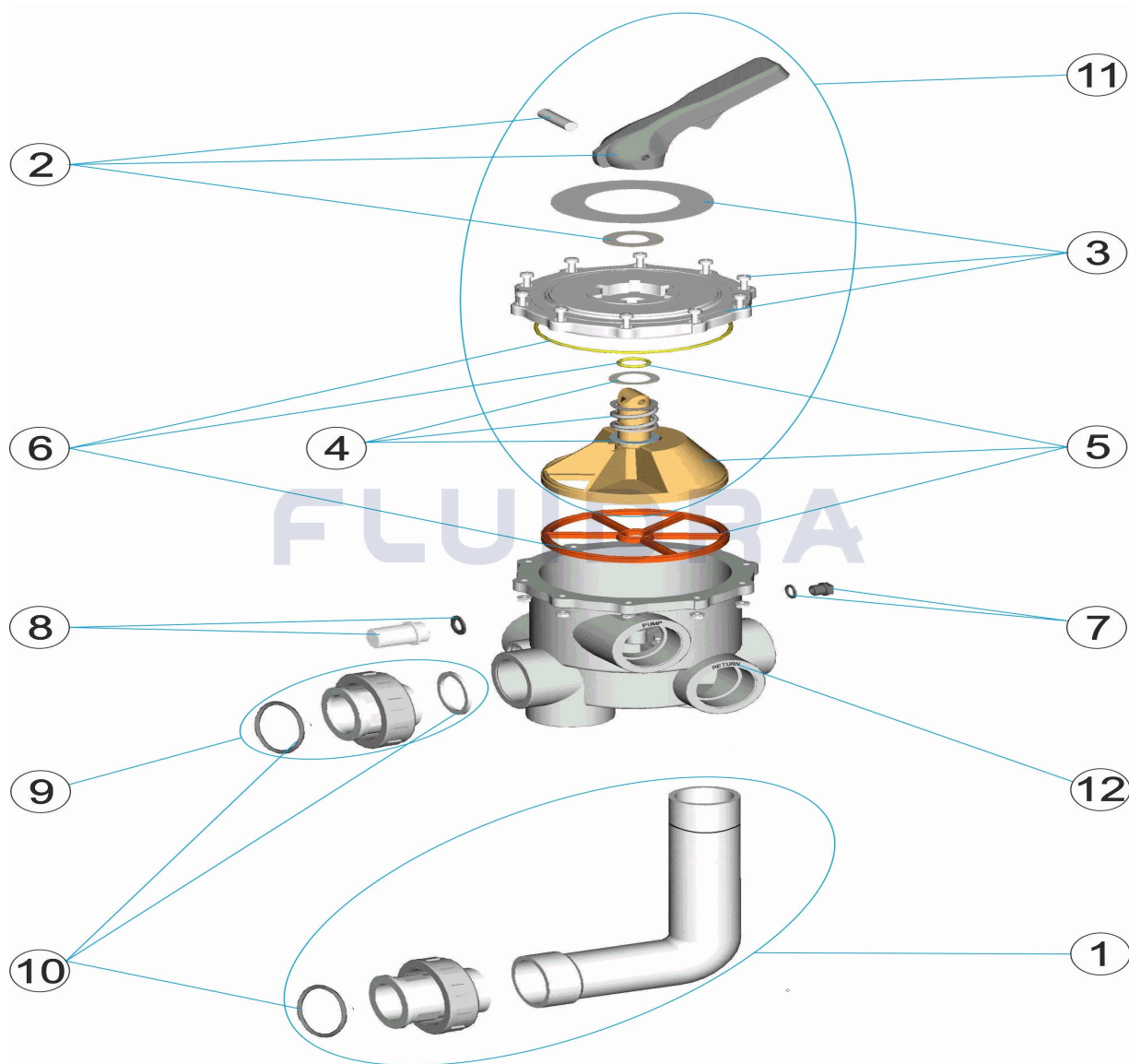


FRANCAIS

POS	CODE	DESCRIPTION	QUANTITE	POS	CODE	DESCRIPTION	QUANTITE
1	4404121601	SORTIE COUDEE NOIRE 2'		7	4404121107	BOUCHON 1/4' DE VANNE	
2	4404120402	POIGNEE NOIRE 2'		8	4404120108	VOYANT ET JOINT	
3	4404120403	COUVERCLE NOIR 2' ET VIS		9	4404120502	SORTIE DROITE NOIRE 2' NOUVEAU MODE	
4	4404120105	RESSORT ET RONDELLES		10	4404120505	JOINTS DE SORTIES 2'	
5	4404120406	BOISSEAU AVEC JOINTS 2'		11	4404120410	COUVERCLE NOIR ET BOISSEAU 2' NOUVI	
6	4404120407	JOINTS DE VANNE 2'		12	07444R0101	CORPS NOIR AVEC RACCORD	

CODE 21263

DESCRIPTION: MULTIPORT VALVE 2" MONOBLOC P-3"

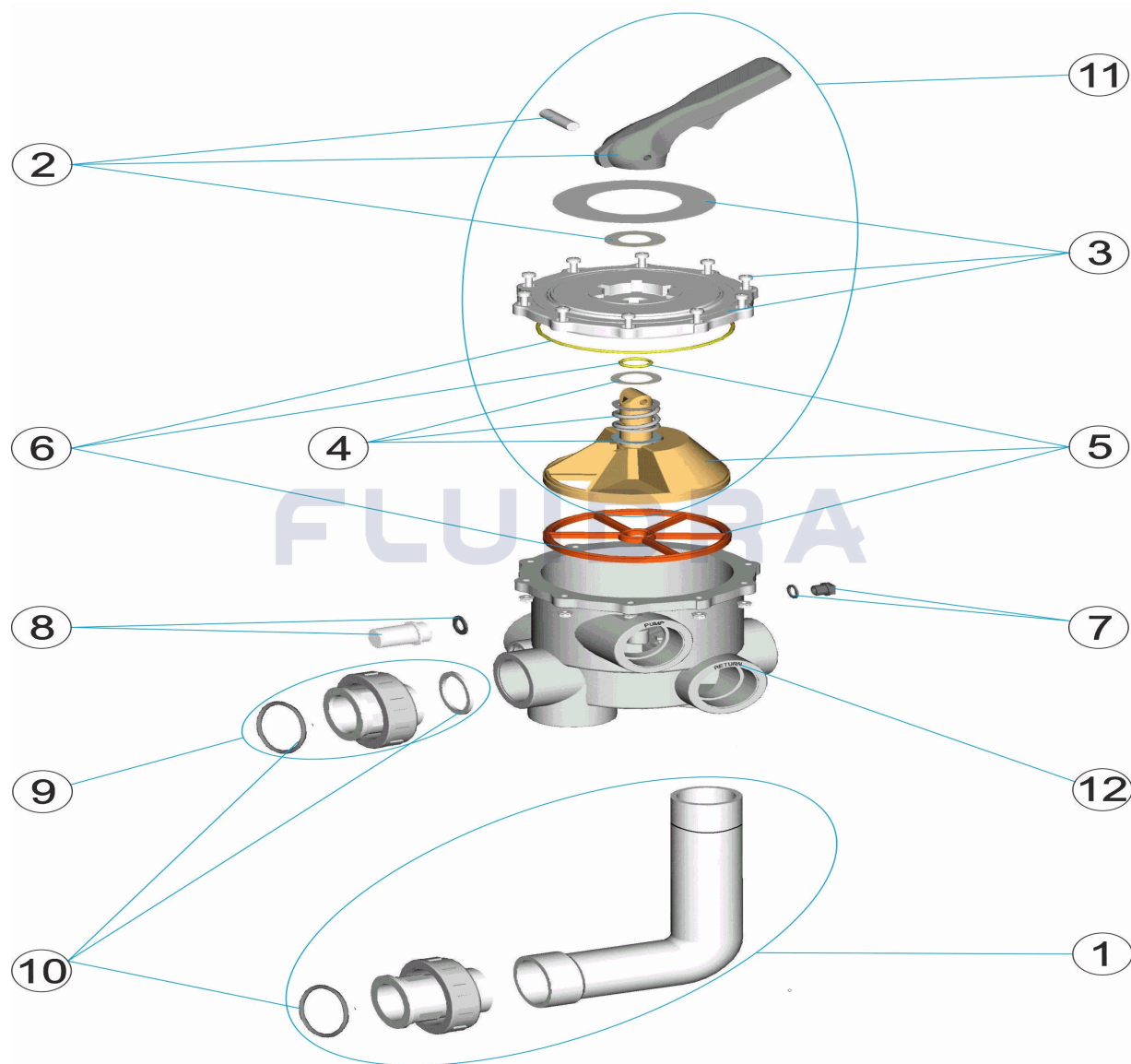


ENGLISH

POS	CODE	DESCRIPTION	QUANTITY	POS	CODE	DESCRIPTION	QUANTITY
1	4404121601	ELBOW BLACK 2'		7	4404121107	PLUG 1/4'	
2	4404120402	BLACK HANDLE 2'		8	4404120108	VISOR WITH SEAL	
3	4404120403	BLACK TOP 2'		9	4404120502	UNION BLACK 2' NEW	
4	4404120105	SPRING WITH WASHERS		10	4404120505	UNION SEALS 2'	
5	4404120406	DISTRIBUTOR WITH GASKETS 2' NEW		11	4404120410	TOP ASSEMBLY BLACK 2' NEW	
6	4404120407	GASKETS 2'		12	07444R0101	BLACK SELECTOR VALVE BODY WITH FITT	

CODICE **21263**

DESCRIZIONE: **VALVOLA SELETRICE 2" MONOBLOCCO P-3"**

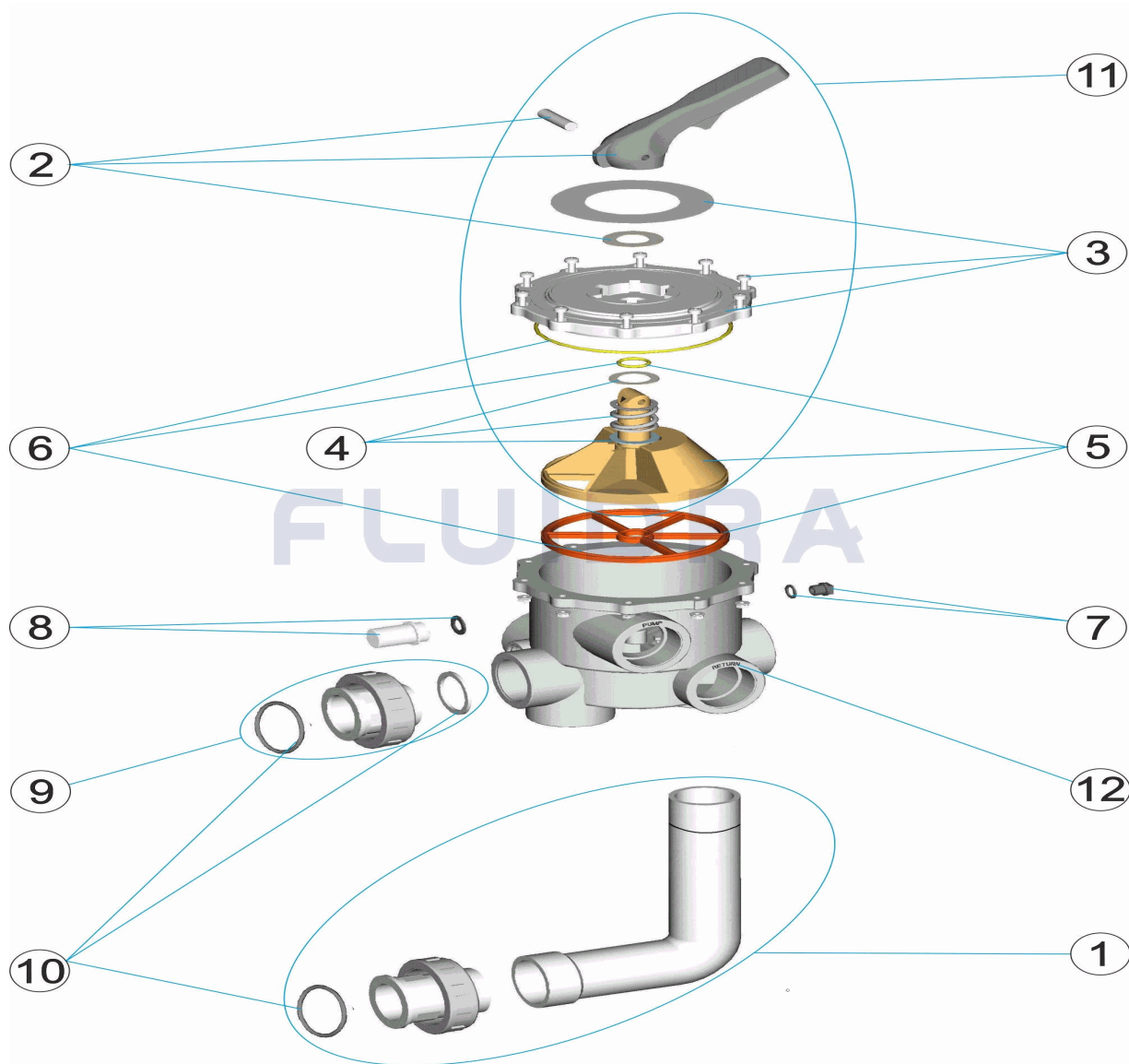


ITALIANO

POS	CODICE	DESCRIZIONE	QUANTITA'	POS	CODICE	DESCRIZIONE	QUANTITA'
1	4404121601	RACCORDO A GOMITO NERO 2"		7	4404121107	COPERCHIO 1/4' VALVOLA	
2	4404120402	MANIGLIA NERA PER VALVOLA 2"		8	4404120108	VISORE CON GUARNIZIONE	
3	4404120403	COPERCHIO CON MASCHERA NERA 2'		9	4404120502	GUARNIZIONE PER RACCORDO 2" NER "	
4	4404120105	MOLLA CON RONDELLA		10	4404120505	GUARNIZIONE PER RACCORDO 2"	
5	4404120406	DISTRIBUTORE CON GUARNIZIONI 2' NUC		11	4404120410	COPERCHIO DI DISTRIBUZIONE NERO 2' N	
6	4404120407	GUARNIZIONI VALVOLA 2'		12	07444R0101	CORPO POS.3 NERO CON RACCORDO	

CODE 21263

BESCHREIBUNG: MEHRWEGVENTIL 2" MONOBLOC P-3"

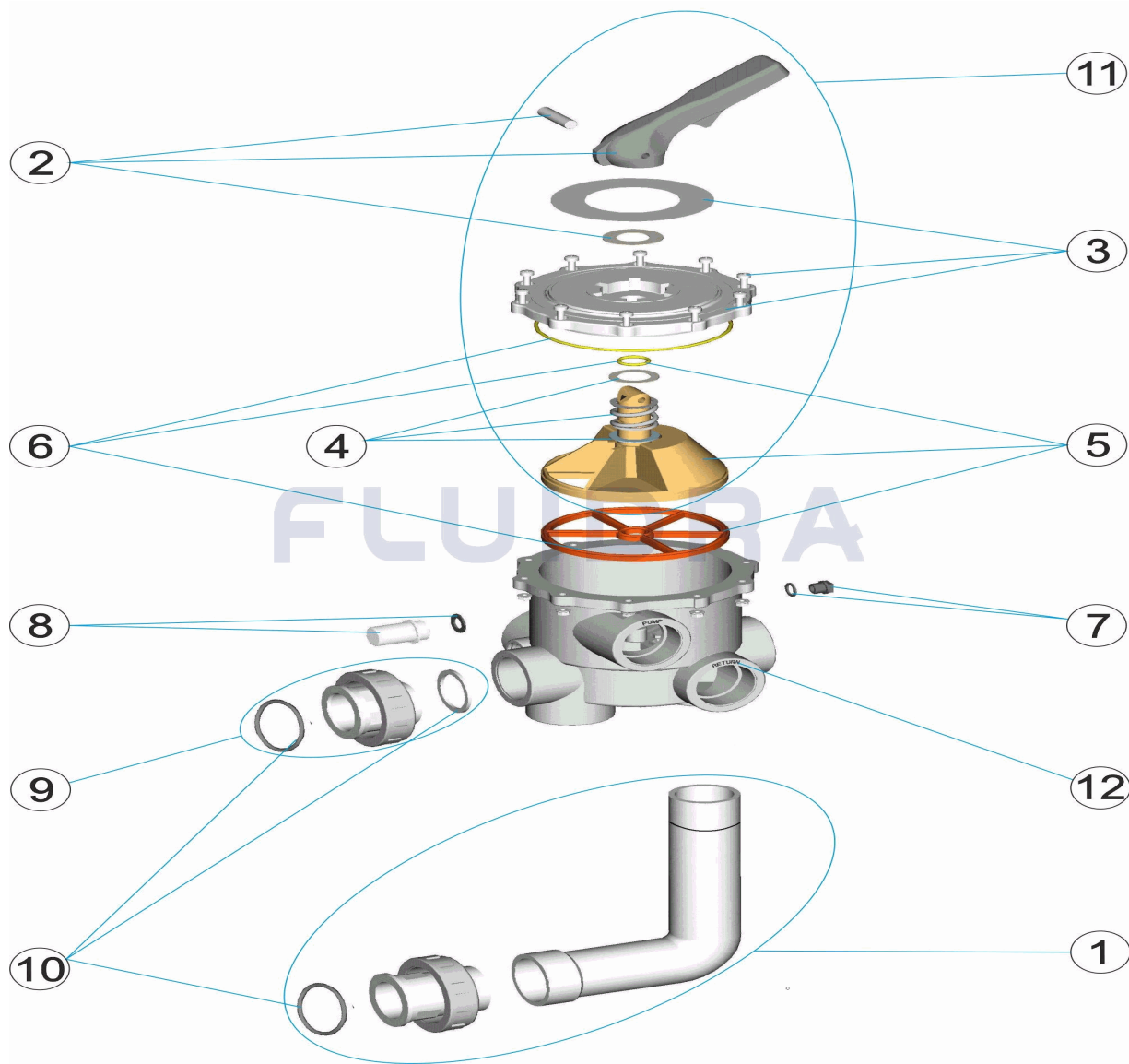


DEUTSCH

POS	CODE	BESCHREIBUNG	MENGE	POS	CODE	BESCHREIBUNG	MENGE
1	4404121601	ANSCHLUSSWINKEL SCHWARZ 2"		7	4404121107	STOPFEN 1/4' VENTIL	
2	4404120402	GRIFF SCHWARZ VENTIL 2'		8	4404120108	SCHAUGLAS UND DICHTUNG	
3	4404120403	ABDECKUNG MIT BEDIENFELD SCHWARZ		9	4404120502	ANSCHLUSS GERADE SCHWARZ 2' NEUVE	
4	4404120105	FEDER MIT UNTERLEGSCHIEBEN		10	4404120505	DICHTUNGEN ANSCHLUSS 2'	
5	4404120406	VERTEILER UND DICHTUNGEN 2' NEUVER		11	4404120410	VERTEILERDECKEL SCHWARZ 2' NEUVERK	
6	4404120407	VENTILDICHTUNGEN 2'		12	07444R0101	GEHÄUSE SCHWARZ 2" POSITION 3 MIT GE	

CODIGO 21263

DESCRIÇÃO: VÁLVULA SELECTORA 2" MONOBLOC P-3"



PORTUGUES

POS	CODIGO	DESCRIÇÃO	JANTIDADE	POS	CODIGO	DESCRIÇÃO	JANTIDADE
1	4404121601	LIGAÇÃO CURVA PRETA 2'		7	4404121107	TAMPÃO 1/4' VÁLVULA	
2	4404120402	MANIPULO PRETO VÁLVULA 2'		8	4404120108	VISOR COM JUNTA	
3	4404120403	TAMPA DA VÁLVULA PRETA 2'		9	4404120502	LIGAÇÃO RECTA PRETA 2' NOVA	
4	4404120105	MOLA COM ANILHAS		10	4404120505	JUNTAS LIGAÇÃO 2'	
5	4404120406	DISTRIBUIDOR COM JUNTAS 2' NOVO		11	4404120410	TAMPA DISTRIBUIDORA PRETA 2' NOVA	
6	4404120407	JUNTAS VÁLVULA 2'		12	07444R0101	CORPO POSIÇÃO 3 NEGRO COM RACORD	