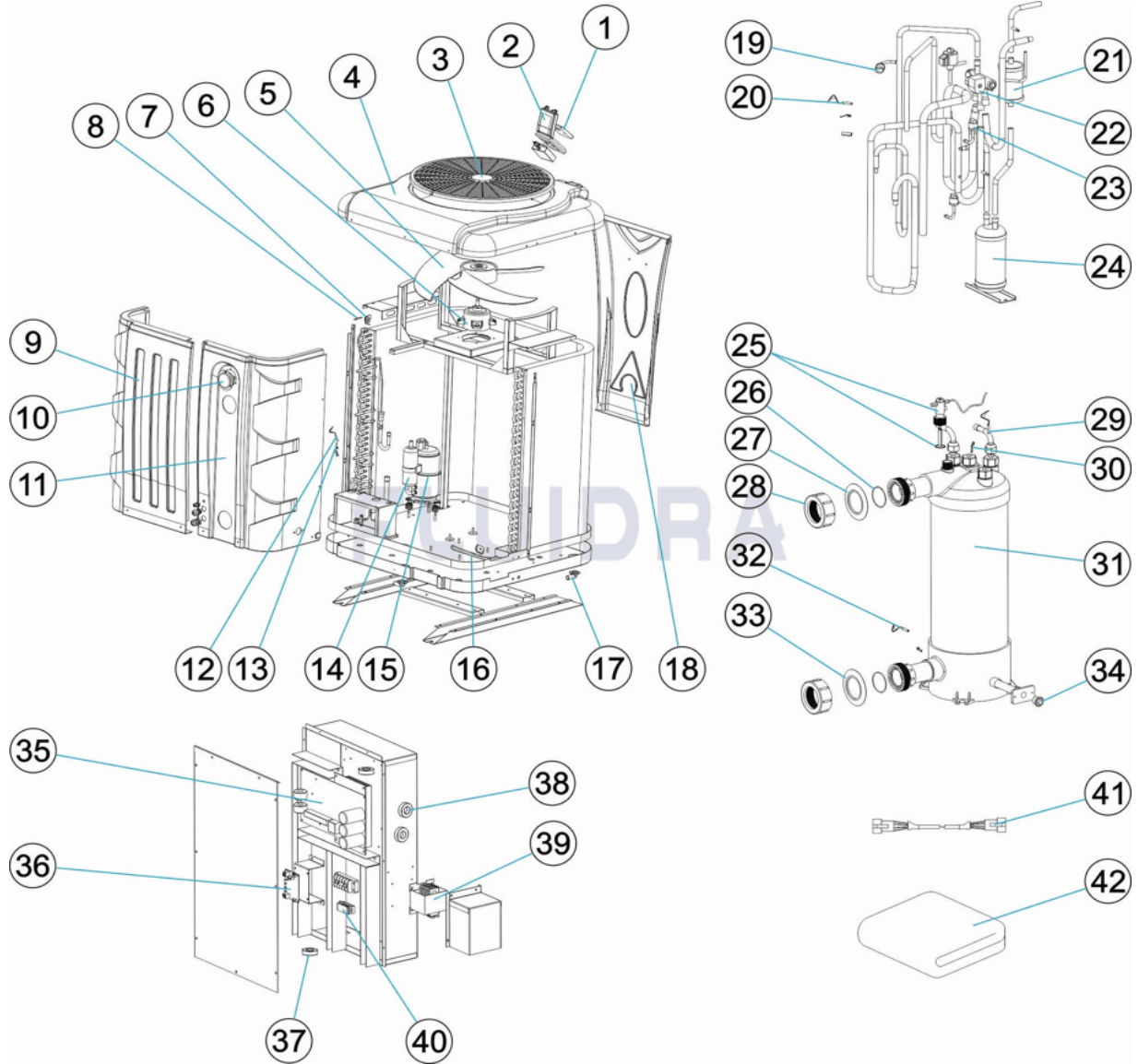


CODIGO **68839, 68840**

DESCRIPCION: **ASTRALPOOL HEAT 3**



**ESPAÑOL**

POS	CODIGO	DESCRIPCION	CANTIDAD	POS	CODIGO	DESCRIPCION	CANTIDAD
1	ZX117020198	CONTROLADOR		15	ZX142000074	ABRAZADERA TERMOSTATO COMPRESOR	
2	ZX133020064	CAJA CONTROLADOR IMPERMEABLE		16	ZX142000147	RESISTENCIA EVAPORADOR	
3	ZX133020042	REJILLA VENTILACION		17	ZX136010023	BOQUILLA DE AGUA	
4	ZX133280007	TAPA SUPERIOR		18	ZX133280002	PANEL FRONTAL	
5	ZX132000023	ASPAS VENTILADOR		19	ZX112100030	DETECTOR DE PRESIÓN ALTA	
6	ZX112000031	MOTOR VENTILADOR		20	ZX117110021	SENSOR TEMPERATURA ESCAPE	
7	ZX133020010	CLIP SUJECION		21	ZX120000066	FILTRO DESHIDRATADOR	
8	ZX117110020	SENSOR TEMPERATURA AMBIENTE		22	ZX121000009	VALVULA DE 4 VIAS	
9	ZX133280003	PANEL LATERAL		23	ZX112100046	DETECTOR DE PRESIÓN BAJA	
10	ZX106000011	MANOMETRO		24	ZX105000004	DEPÓSITO DE LÍQUIDOS	
11	ZX133280004	PANEL LATERAL		25	ZX112100021-1	FLUJOSTATO	
12	ZX117110004	SENSOR TEMPERATURA TUBO		26	ZX133020026	JUNTA TORICA	
13	ZX113190001	CLIP SUJECION		27	ZX133020012	ANILLO DE GOMA ROJA	

CODIGO **68839, 68840**

DESCRIPCION: **ASTRALPOOL HEAT 3**

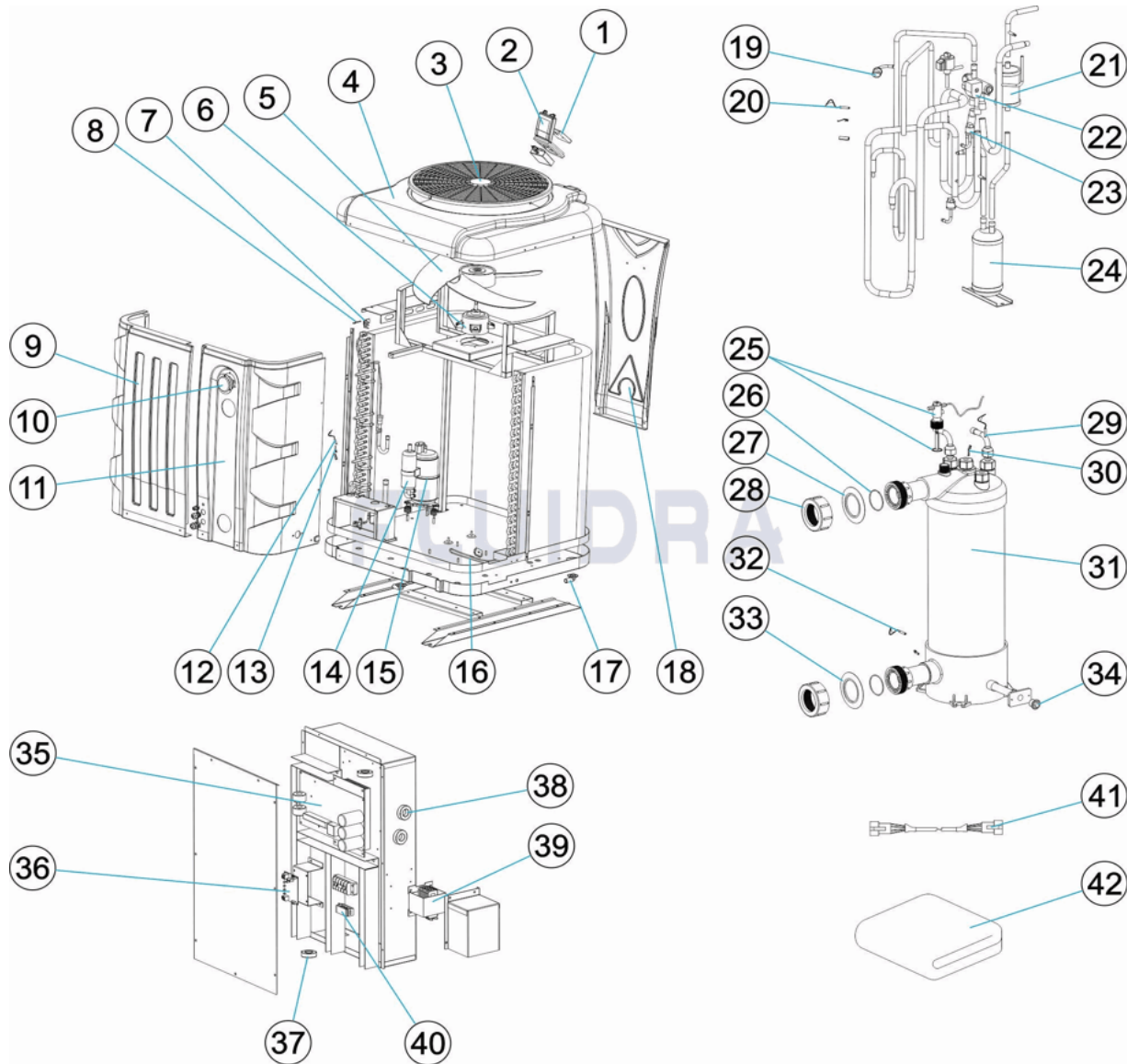
14	* ZX101000189	COMPRESOR	28	ZX102050004	KIT DE CONEXIÓN AGUA
14	* ZX101000185	COMPRESOR	29	ZX117110011	SENSOR TEMPERATURA SALIDA AGUA
30	ZX108010025	CLIP SUJECION	36	ZX117010095	MÓDULO MODBUS
31	* ZX102040630	INTERCAMBIADOR DE TITANIO	37	ZX117240002	ANILLO MAGNETICO
31	* ZX102040627	INTERCAMBIADOR DE TITANIO	38	ZX117240003	ANILLO MAGNETICO
32	ZX117110012	SENSOR TEMPERATURA ENTRADA AGUA	39	ZX117230002	REACTOR
33	ZX133020011	ANILLO DE GOMA AZUL	40	ZX136010004	CLIP SUJECION
34	ZX150000110	TAPON PURGA	41	ZX117040012	CABLE DE CONEXIÓN 10M
35	ZX117100048	PLACA BASE PCB	42	ZX129000169	CUBIERTA DE INVIERNO

CODIGO **68839, 68840**DESCRIPCION: **ASTRALPOOL HEAT 3****OBSERVACIONES**

POS	CODIGO	OBSERVACIONES
14	* ZX101000189	PARA: 68839
14	* ZX101000185	PARA: 68840
31	* ZX102040630	PARA: 68839
31	* ZX102040627	PARA: 68840

CODE 68839, 68840

DESCRIPTION: ASTRALPOOL HEAT 3



FRANCAIS

POS	CODE	DESCRIPTION	QUANTITE	POS	CODE	DESCRIPTION	QUANTITE
1	ZX117020198	CONTRÔLEUR		15	ZX142000074	COLLIER CHAUFFANTS COMPRESSEUR	
2	ZX133020064	BOÎTIER CONTRÔLEUR ÉTANCHE		16	ZX142000147	RÉSISTANCE ÉVAPORATEUR	
3	ZX133020042	GRILLE VENTILATEUR		17	ZX136010023	BUSE D'EAU	
4	ZX133280007	COUVERCLE SUPÉRIEUR		18	ZX133280002	PANNEAU AVANT	
5	ZX132000023	PALES VENTILATEUR		19	ZX112100030	DÉTECTEUR HAUTE PRESSION	
6	ZX112000031	MOTEUR VENTILATEUR		20	ZX117110021	CAPTEUR TEMPÉRATURE EAU SORTIE	
7	ZX133020010	CLIP FIXATION		21	ZX120000066	FILTRE DÉSHYDRATATEUR	
8	ZX117110020	CAPTEUR TEMPÉRATURE AMBIANT		22	ZX121000009	VANNE 4 VOIES	
9	ZX133280003	PANNEAU LATÉRAL		23	ZX112100046	DÉTECTEUR BASSE PRESSION	
10	ZX106000011	MANOMETRE		24	ZX105000004	RÉSERVOIR DE STOCKAGE DE LIQUIDE	
11	ZX133280004	PANNEAU LATÉRAL		25	ZX112100021-1	CONTROLEUR DE DEBIT	
12	ZX117110004	CAPTEUR TEMPÉRATURE TUYAU		26	ZX133020026	JOINT TORIQUE	
13	ZX113190001	CLIP FIXATION		27	ZX133020012	ANNEAU EN CAOUTCHOUC ROUGE	

CODE **68839, 68840**

DESCRIPTION: **ASTRALPOOL HEAT 3**

14	* ZX101000189	COMPRESSEUR	28	ZX102050004	ENSEMBLES CONNEXION D'EAU
14	* ZX101000185	COMPRESSEUR	29	ZX117110011	CAPTEUR TEMPÉRATURE EAU SORTIE
30	ZX108010025	CLIP FIXATION	36	ZX117010095	MODULE MODBUS
31	* ZX102040630	ÉCHANGEUR EN TITANE	37	ZX117240002	BAGUE D'AIMANT
31	* ZX102040627	ÉCHANGEUR EN TITANE	38	ZX117240003	BAGUE D'AIMANT
32	ZX117110012	CAPTEUR TEMPÉRATURE ARRIVÉE D'EAU	39	ZX117230002	RÉACTEUR
33	ZX133020011	ANNEAU EN CAOUTCHOUC BLEUE	40	ZX136010004	CLIP FIXATION
34	ZX150000110	BOUCHON PURGE	41	ZX117040012	FIL DE CONNEXION 10M
35	ZX117100048	PLAQUE BASE PCB	42	ZX129000169	COUVERTURE D'HIVERNAGE

CODE **68839, 68840**

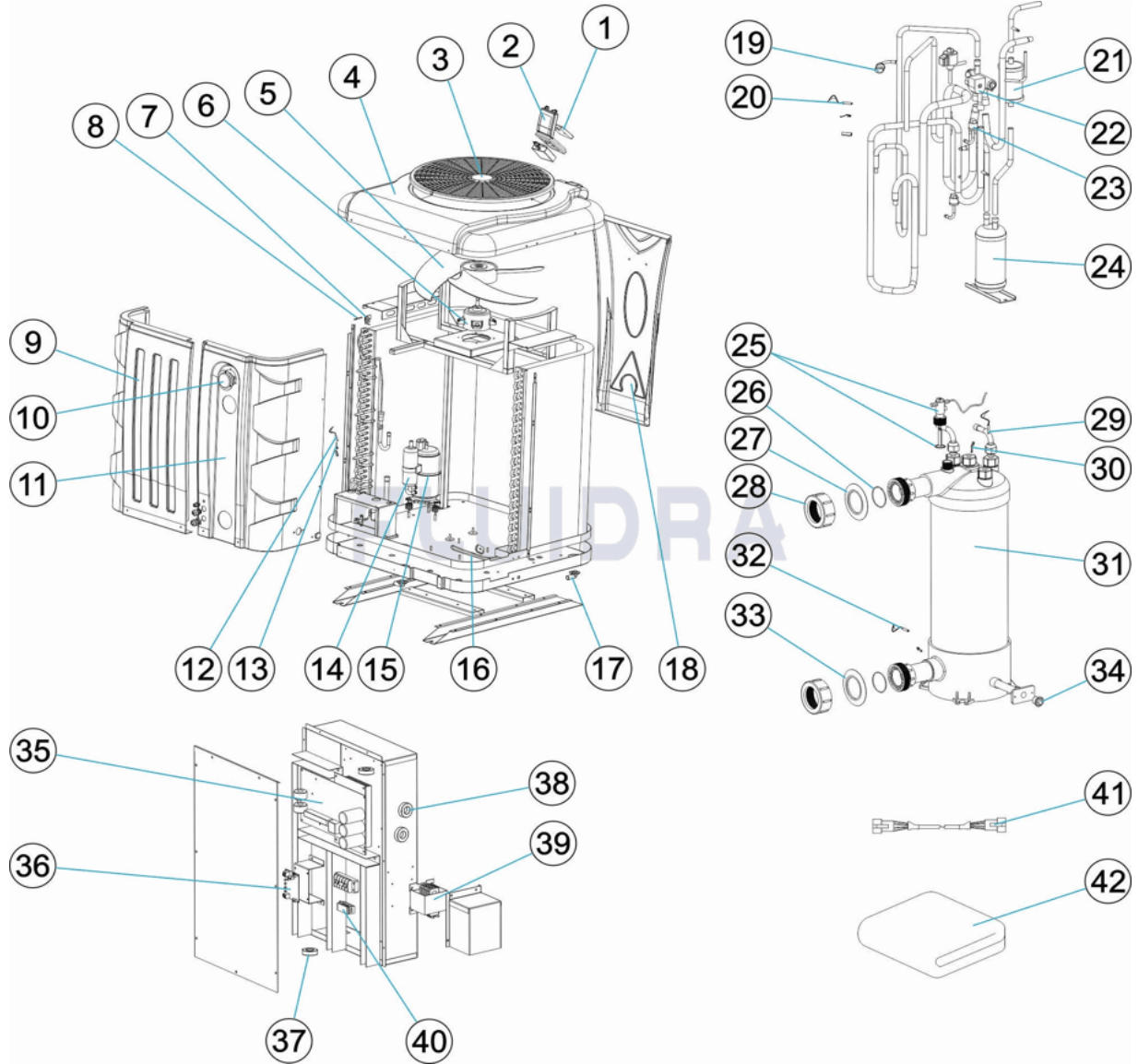
DESCRIPTION: **ASTRALPOOL HEAT 3**

**OBSERVATIONS**

POS	CODE	OBSERVATIONS
14	* ZX101000189	POUR: 68839
14	* ZX101000185	POUR: 68840
31	* ZX102040630	POUR: 68839
31	* ZX102040627	POUR: 68840

CODE 68839, 68840

DESCRIPTION: ASTRALPOOL HEAT 3



**ENGLISH**

POS	CODE	DESCRIPTION	QUANTITY	POS	CODE	DESCRIPTION	QUANTITY
1	ZX117020198	CONTROLLER		15	ZX142000074	COMPRESSOR HEATING BELT	
2	ZX133020064	WATERPROOF CONTROLLER BOX		16	ZX142000147	EVAPORATOR RESISTOR	
3	ZX133020042	VENTILATION GRILL		17	ZX136010023	WATER NOZZLE	
4	ZX133280007	TOP COVER		18	ZX133280002	FRONT PANEL	
5	ZX132000023	FAN BLADE		19	ZX112100030	HIGH PRESSURE SWITCH	
6	ZX112000031	FAN MOTOR		20	ZX117110021	EXHAUST TEMPERATURE SENSOR	
7	ZX133020010	CLIP		21	ZX120000066	DEHYDRATOR FILTER	
8	ZX117110020	AMBIENT TEMPERATURE SENSOR		22	ZX121000009	4-WAY VALVE	
9	ZX133280003	SIDE PANEL		23	ZX112100046	LOW PRESSURE SWITCH	
10	ZX106000011	PRESSURE GAUGE		24	ZX105000004	LIQUID STORAGE TANK	
11	ZX133280004	SIDE PANEL		25	ZX112100021-1	WATER FLOW SWITCH	
12	ZX117110004	HEATING PIPE TEMPERATURE SENSOR		26	ZX133020026	O' RING	
13	ZX113190001	CLIP		27	ZX133020012	RED RUBBER RING	

\* SEE OBSERVATIONS SHEET

CODE **68839, 68840**

DESCRIPTION: **ASTRALPOOL HEAT 3**

14	* ZX101000189	COMPRESSOR	28	ZX102050004	WATER CONNECTION SETS
14	* ZX101000185	COMPRESSOR	29	ZX117110011	HEATING PIPE TEMPERATURE SENSOR
30	ZX108010025	CLIP	36	ZX117010095	MODBUS MODULE
31	* ZX102040630	TITANIUM HEAT EXCHANGER	37	ZX117240002	MAGNET RING
31	* ZX102040627	TITANIUM HEAT EXCHANGER	38	ZX117240003	MAGNET RING
32	ZX117110012	WATER INLET TEMPERATURE SENSOR	39	ZX117230002	REACTOR
33	ZX133020011	BLUE RUBBER RING	40	ZX136010004	CLIP
34	ZX150000110	DRAIN PLUG	41	ZX117040012	10M CONNECTION WIRE BETWEEN THE
35	ZX117100048	PC BOARD	42	ZX129000169	WINTER COVER

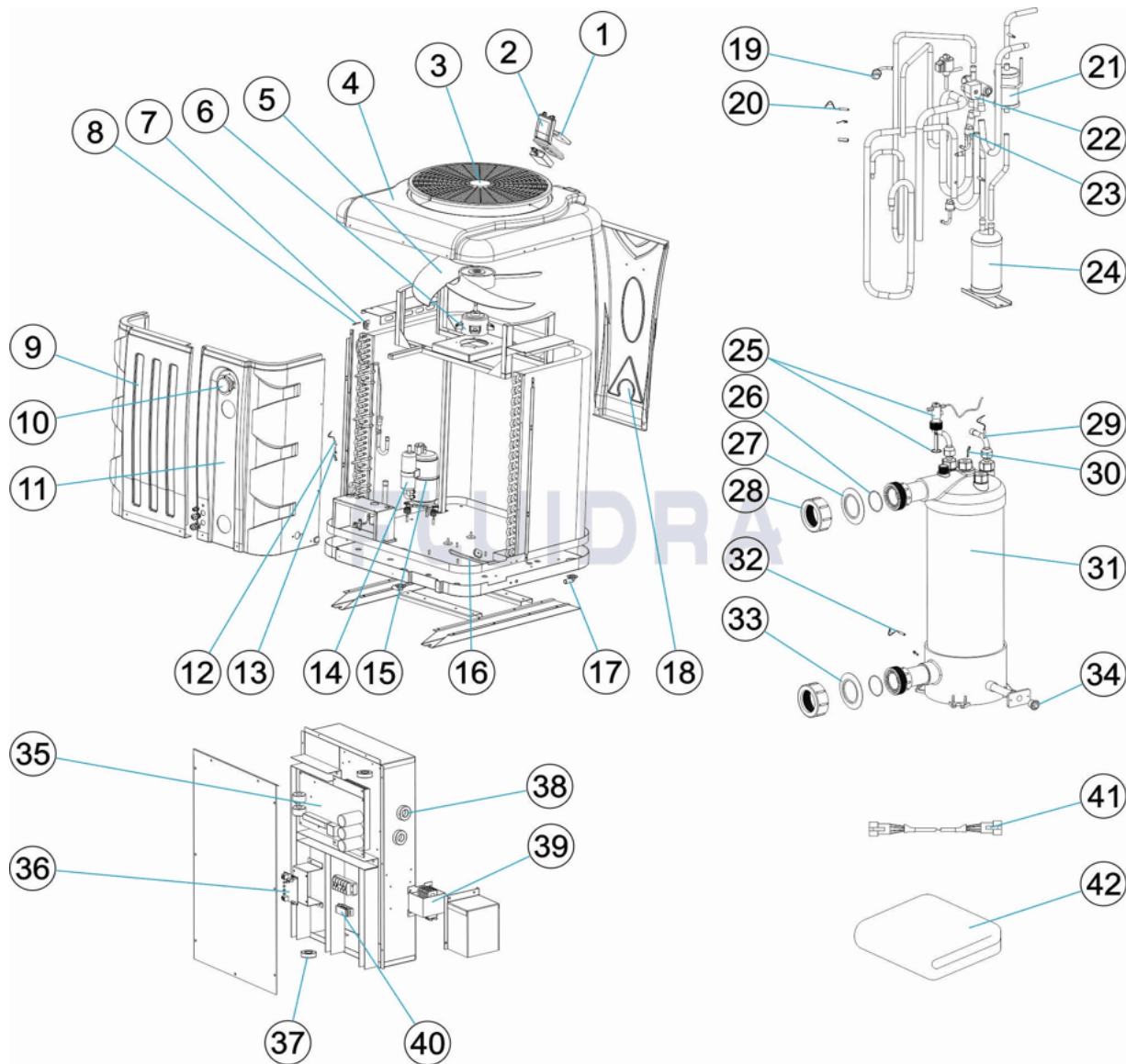


CODE **68839, 68840**DESCRIPTION: **ASTRALPOOL HEAT 3****OBSERVATIONS**

POS	CODE	OBSERVATIONS
14	* ZX101000189	FOR: 68839
14	* ZX101000185	FOR: 68840
31	* ZX102040630	FOR: 68839
31	* ZX102040627	FOR: 68840

CODICE 68839, 68840

DESCRIZIONE: ASTRALPOOL HEAT 3



ITALIANO

POS	CODICE	DESCRIZIONE	QUANTITA'	POS	CODICE	DESCRIZIONE	QUANTITA'
1	ZX117020198	CONTROLLATORE		15	ZX142000074	CINTURA DI RISCALDAMENTO COMPRESS	
2	ZX133020064	SCATOLA CONTROLLO IMPERMEABILE		16	ZX142000147	RESISTENZE EVAPORATORE	
3	ZX133020042	GRIGLIA VENTILATORE		17	ZX136010023	UGELLO DELL'ACQUA	
4	ZX133280007	COPERTICCHIO SUPERIORE		18	ZX133280002	PANNELLO FRONTALE	
5	ZX132000023	PALE VENTILATORE		19	ZX112100030	RILEVATORE DI ALTA PRESSIONE	
6	ZX112000031	MOTORE VENTOLA		20	ZX117110021	SENSORE TEMPERATURA SCARICO	
7	ZX133020010	CLIP ATTACCO		21	ZX120000066	FILTRO DISIDRATATORE	
8	ZX117110020	SENSORE TEMPERATURA AMBIENTE		22	ZX121000009	VALVOLA A 4 VIE	
9	ZX133280003	PANNELLO LATERALE		23	ZX112100046	RIVELATORE BASSO PRESSIONE	
10	ZX106000011	MANOMETRO		24	ZX105000004	SERBATOIO DI STOCCAGGIO LIQUIDI	
11	ZX133280004	PANNELLO LATERALE		25	ZX112100021-1	FLUSSOSTATO	
12	ZX117110004	SENSORE TEMPERATURA TUBO		26	ZX133020026	O-RING	
13	ZX113190001	CLIP ATTACCO		27	ZX133020012	ANELLO DI GOMMA ROSSO	

\* SI FACCIAMO RIFERIMENTO AL FOGLIO DELLE OSSERVAZIONI

CODICE **68839, 68840**

DESCRIZIONE: **ASTRALPOOL HEAT 3**

14	* ZX101000189	COMPRESSORE	28	ZX102050004	SET CONNESSIONE DELL ACQUA
14	* ZX101000185	COMPRESSORE	29	ZX117110011	SENSORE TEMPERATURA USCITA ACQUA
30	ZX108010025	CLIP ATTACCO	36	ZX117010095	MODULO MODBUS
31	* ZX102040630	INTERCAMBIATORE IN TITANIO	37	ZX117240002	ANELLO MAGNETICO
31	* ZX102040627	INTERCAMBIATORE IN TITANIO	38	ZX117240003	ANELLO MAGNETICO
32	ZX117110012	SENSORE TEMPERATURA INGRESSO ACC	39	ZX117230002	REATTORE
33	ZX133020011	ANELLO DI GOMMA AZZURRO	40	ZX136010004	CLIP ATTACCO
34	ZX150000110	TAPPO SPURGO	41	ZX117040012	FILO DI COLLEGAMENTO 10M
35	ZX117100048	SCHEDA BASE PCB	42	ZX129000169	COPERTA DI INVERNO

**CODICE 68839, 68840**

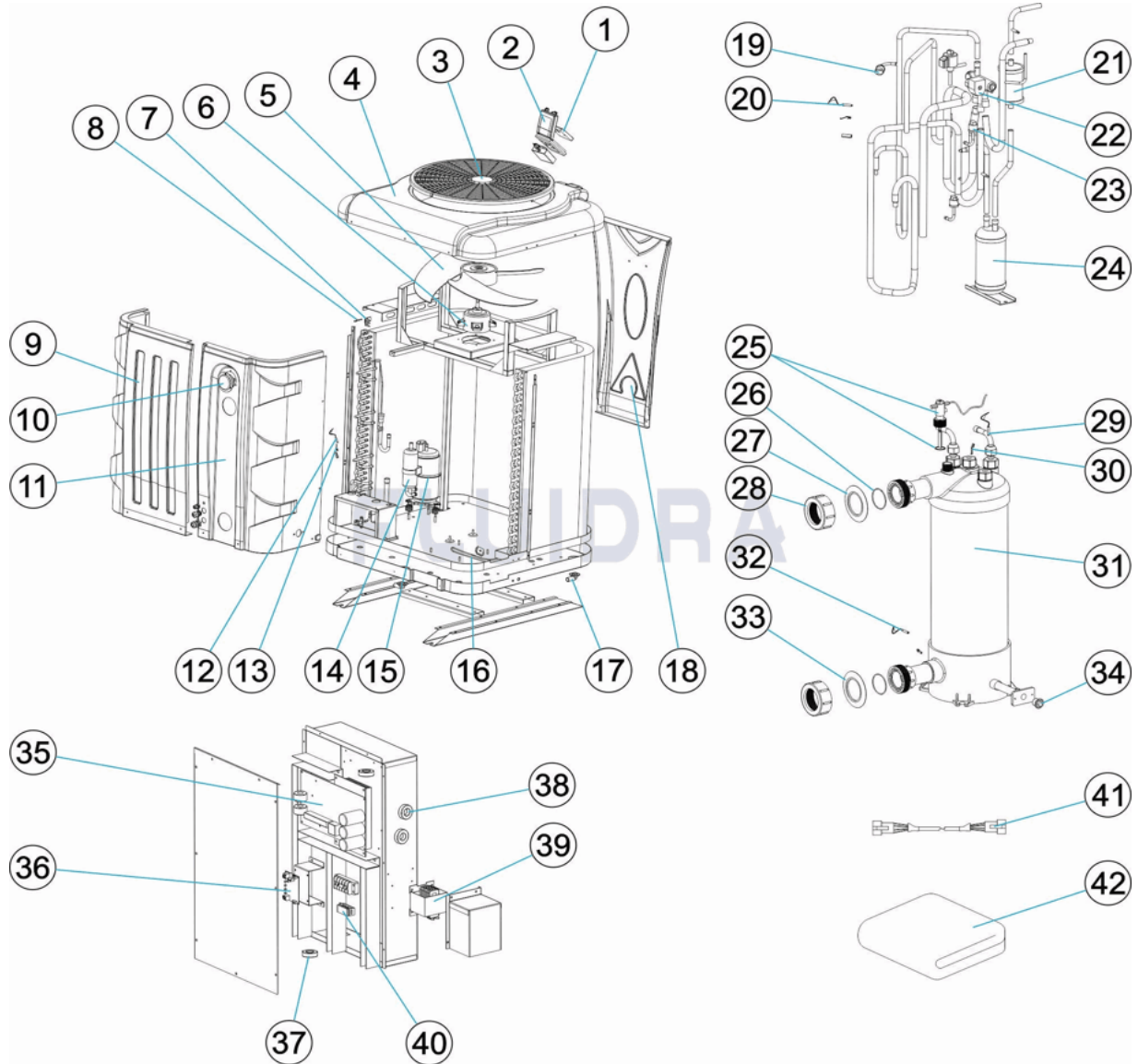
**DESCRIZIONE: ASTRALPOOL HEAT 3**

**OSSERVAZIONI**

POS	CODICE	OSSERVAZIONI
14	* ZX101000189	PER: 68839
14	* ZX101000185	PER: 68840
31	* ZX102040630	PER: 68839
31	* ZX102040627	PER: 68840

CODE 68839, 68840

BESCHREIBUNG: ASTRALPOOL HEAT 3



DEUTSCH

POS	CODE	BESCHREIBUNG	MENGE	POS	CODE	BESCHREIBUNG	MENGE
1	ZX117020198	STEUERUNG		15	ZX142000074	KOMPRESSOR HEIZBAND	
2	ZX133020064	WASSERDICHTER STEUERUNGSBOX		16	ZX142000147	EVAPORATOR WIEDERSTÄNDE	
3	ZX133020042	BELÜFTUNGSGITTER		17	ZX136010023	WASSERDÜSE	
4	ZX133280007	ABDECKUNG OBEN		18	ZX133280002	FRONTPLATTE	
5	ZX132000023	ROTORBLÄTTER VENTILATOR		19	ZX112100030	DETEKTOR HOCHDRUCK	
6	ZX112000031	LÜFTERMOTOR		20	ZX117110021	AUSPUFF TEMPERATURFÜHLER	
7	ZX133020010	HALTECLIP		21	ZX120000066	DEHYDRATORFILTER	
8	ZX117110020	UMGEBUNGS TEMPERATURFÜHLER		22	ZX121000009	4-WEGE-VENTIL	
9	ZX133280003	SEITENVERKLEIDUNG		23	ZX112100046	DETEKTOR NIEDERDRUCK	
10	ZX106000011	MANOMETER		24	ZX105000004	FLÜSSIGLAGERTANK	
11	ZX133280004	SEITENVERKLEIDUNG		25	ZX112100021-1	DURCHFLUSSMESSER	
12	ZX117110004	ROHR TEMPERATURFÜHLER		26	ZX133020026	O-RING	
13	ZX113190001	HALTECLIP		27	ZX133020012	ROTER GUMMIRING	

CODE **68839, 68840**

BESCHREIBUNG: **ASTRALPOOL HEAT 3**

14	* ZX101000189	KOMPRESSOR	28	ZX102050004	WASSERANSCHLUSS SET
14	* ZX101000185	KOMPRESSOR	29	ZX117110011	WASSERABFLUSS TEMPERATURFÜHLER
30	ZX108010025	HALTECLIP	36	ZX117010095	MODBUS-MODUL
31	* ZX102040630	WÄRMEÜBERTRAGER TITANIUM	37	ZX117240002	MAGNET-RING
31	* ZX102040627	WÄRMEÜBERTRAGER TITANIUM	38	ZX117240003	MAGNET-RING
32	ZX117110012	WASSERZUFLUSS TEMPERATURFÜHLER	39	ZX117230002	REAKTOR
33	ZX133020011	BLAU GUMMIRING	40	ZX136010004	HALTECLIP
34	ZX150000110	ABLASSSTOPFEN	41	ZX117040012	10M VERBINDUNGSDRAHT
35	ZX117100048	BASISPLATTE PCB	42	ZX129000169	WINTERDECKEL

CODE **68839, 68840**

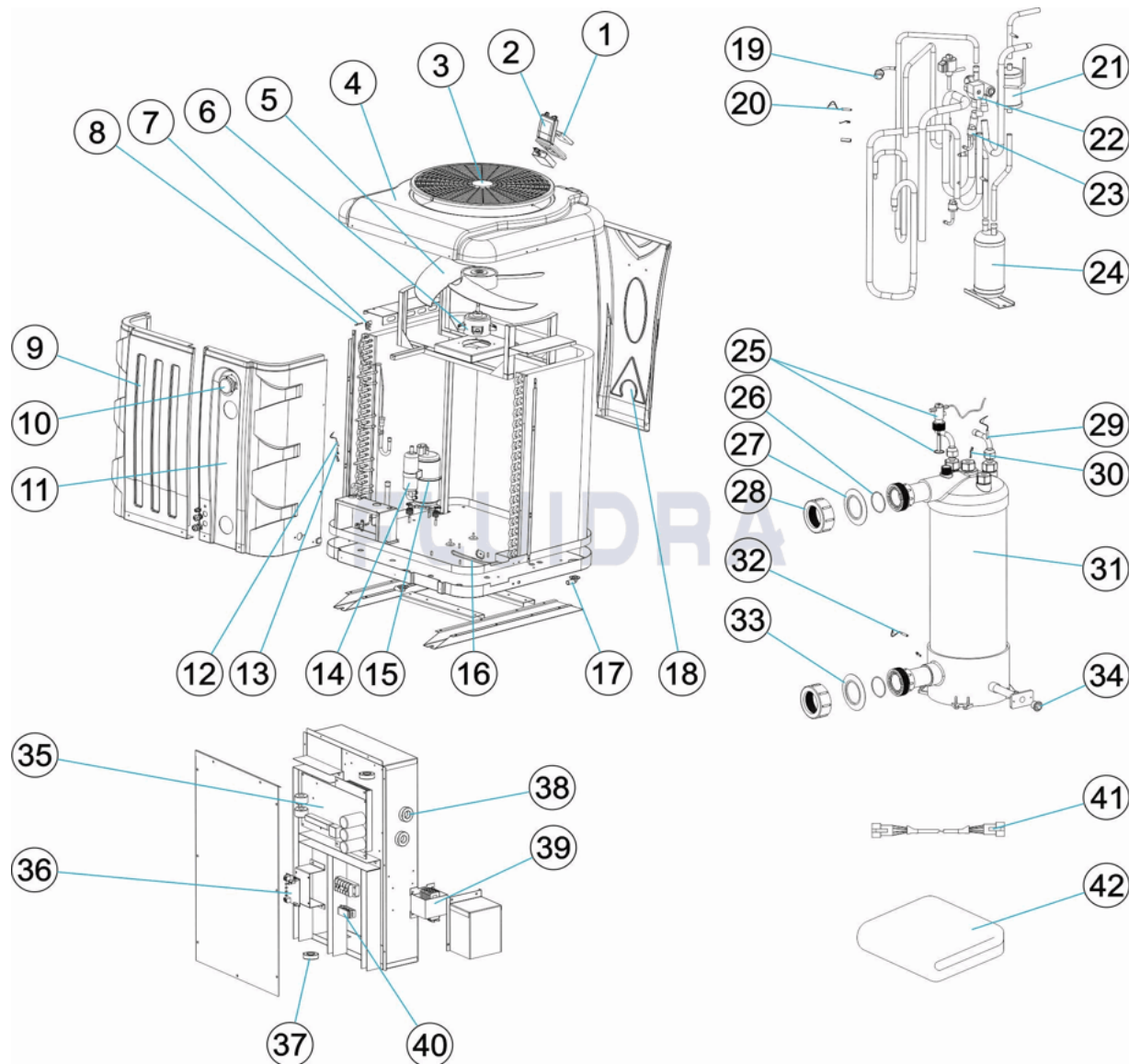
BESCHREIBUNG: **ASTRALPOOL HEAT 3**

**HINWEISE**

POS	CODE	HINWEISE
14	* ZX101000189	FÜR: 68839
14	* ZX101000185	FÜR: 68840
31	* ZX102040630	FÜR: 68839
31	* ZX102040627	FÜR: 68840

CODIGO **68839, 68840**

DESCRIÇÃO: **ASTRALPOOL HEAT 3**



**PORTUGUES**

POS	CODIGO	DESCRIÇÃO	JANTIDADE	POS	CODIGO	DESCRIÇÃO	JANTIDADE
1	ZX117020198	CONTROLADOR		15	ZX142000074	CORREIA DE AQUECIMENTO COMPRESSO	
2	ZX133020064	CAIXA DE CONTROLE IMPERMEÁVEL		16	ZX142000147	EVAPORADOR RESISTÊNCIAS	
3	ZX133020042	GRELHA DE VENTILADOR		17	ZX136010023	BOCAL DE ÁGUA	
4	ZX133280007	TAMPA SUPERIOR		18	ZX133280002	PAINEL FRONTAL	
5	ZX132000023	PÁS VENTILADOR		19	ZX112100030	DETECTOR DE ALTA PRESSÃO	
6	ZX112000031	MOTOR VENTILADOR		20	ZX117110021	SENSOR TEMPERATURA ESCAPE	
7	ZX133020010	CLIQUE FIXAÇÃO		21	ZX120000066	FILTRO DESIDRATADOR	
8	ZX117110020	SENSOR TEMPERATURA AMBIENTE		22	ZX121000009	VÁLVULA DE 4 VIAS	
9	ZX133280003	PAINEL LATERAL		23	ZX112100046	DETECTOR DE BAIXA PRESSÃO	
10	ZX106000011	MANOMETRO		24	ZX105000004	TANQUE DE ARMAZENAMENTO LÍQUIDO	
11	ZX133280004	PAINEL LATERAL		25	ZX112100021-1	FLUXO-ESTATO	
12	ZX117110004	SENSOR TEMPERATURA TUBO		26	ZX133020026	JUNTA TÓRICA	
13	ZX113190001	CLIQUE FIXAÇÃO		27	ZX133020012	ANEL DE BORRACHA VERMELHO	



CODIGO **68839, 68840**

DESCRIÇÃO: **ASTRALPOOL HEAT 3**

14	* ZX101000189	COMPRESSOR	28	ZX102050004	CONJECTIVOS CONEXÃO DE ÁGUA
14	* ZX101000185	COMPRESSOR	29	ZX117110011	SENSOR TEMPERATURA SAÍDA ÁGUA
30	ZX108010025	CLIQUE FIXAÇÃO	36	ZX117010095	MÓDULO MODBUS
31	* ZX102040630	PERMUTADOR DE TITÂNIO	37	ZX117240002	ANEL DE ÍNDIA
31	* ZX102040627	PERMUTADOR DE TITÂNIO	38	ZX117240003	ANEL DE ÍNDIA
32	ZX117110012	SENSOR TEMPERATURA ENTRADA ÁGUA	39	ZX117230002	REACTOR
33	ZX133020011	ANEL DE BORRACHA AZUL	40	ZX136010004	CLIQUE FIXAÇÃO
34	ZX150000110	TAMPÃO PURGA	41	ZX117040012	FIO DE CONEXÃO 10M
35	ZX117100048	PLACA BASE PCB	42	ZX129000169	COBERTURA DE INVERNO

CODIGO **68839, 68840**

DESCRIÇÃO: **ASTRALPOOL HEAT 3**

## OBSERVACÕES

POS	CODIGO	OBSERVACÕES
14	* ZX101000189	PARA: 68839
14	* ZX101000185	PARA: 68840
31	* ZX102040630	PARA: 68839
31	* ZX102040627	PARA: 68840